

User manual – Installation guide

TX 3100A



Rev. 2019.02.14

| | | | |
|---|--|----------------------|--------------------------|
| TURBOVEX[®] | | Type TX 3100A | |
| MASTER | <input type="checkbox"/> | LON | <input type="checkbox"/> |
| SLAVE | <input type="checkbox"/> | MODBUS | <input type="checkbox"/> |
| Power consumption: max. 1136 W 1.2 kJ/m ³ | | WEEK | - YEAR |
| | | | - 20 |
| | | Fabr. Nr. | _____ |
| TURBOVEX <small>- frisk luft til alle</small> | Industrivej 45 DK-9600 Aars Tlf. +45 96981462 Fax. +45 98624224 www.turbovex.dk e-mail: info@turbovex.dk | CE | |

TurboVex A/S

Industrivej 45, DK – 9600 Aars
 Telefon: +45 96 98 14 62 – Fax: +45 98 96 42 24
 e-mail: info@turbovex.dk – www.turbovex.dk

1.0.0 TABLE OF CONTENT

Indhold

| | |
|---|-----------|
| 1.0.0 TABLE OF CONTENT | 2 |
| 3.0.0 GENEREL INFORMATION | 3 |
| 3.1.0 FOREWORD | 3 |
| 3.2.0 FIELD OF APPLICATION..... | 3 |
| 3.3.0 LIST OF PARTS | 3 |
| 3.4.0 FUNCTION OF THE UNIT | 4 |
| 4.0.0 INSTALLATION | 5 |
| 4.1.0 DIMENSIONS | 5 |
| 4.2.0 PLACEMENT | 6 |
| 4.3. TEMPLATE | 6 |
| 4.4.0 INSTALLING THE UNIT (STANDARD MOUNTING BRACKETS)..... | 7 |
| 4.5.0 INSTALLING THE UNIT USING SPECIAL BRACKETS..... | 8 |
| 4.6.0 INSTALLING BOTTOM EXTENSION..... | 11 |
| 4.7.0 INSTALLING TOP EXTENSION | 12 |
| 5.0.0 TECHNICAL SPECIFICATIONS | 13 |
| 5.1.0 UNIT | 13 |
| 6.0.0 ELECTRICAL INSTALLATION | 14 |
| 7.0.0 SERVICE | 18 |
| 7.1.0 SERVICE REPORT | 18 |
| 7.2.0 FILTER CHANGE | 19 |
| 8.0.0 DECLARATION OF CONFORMITY | 20 |

3.0.0 General information

3.1.0 Foreword

This user's manual contains technical information regarding the installation and maintenance of the ventilation unit **Turbovex TX 3100A**.

3.2.0 Field of application

Turbovex TX 3100A is designed for comfort ventilation in industrial buildings, garages and sports halls.

3.3.0 List of parts

Turbovex TX 3100A is delivered with the following key components.

1. TX 3100A unit
2. Top cone
3. Filter holder
4. Inlet ring
5. Standard mounting brackets
6. Special mounting brackets (optional)
7. TX electronic control
8. Silicone rubber + various screws and bolts. Wire and wire tensioners.



3.4.0 Function of the unit

The principle of the heat recovery in the Turbovex TX3100A is based on the rotating heat exchanger (B). The exhaust fan (A) extracts the warm room air from the funnel (D) through half of the heat exchanger (B), and send it through the exhaust cap (F).

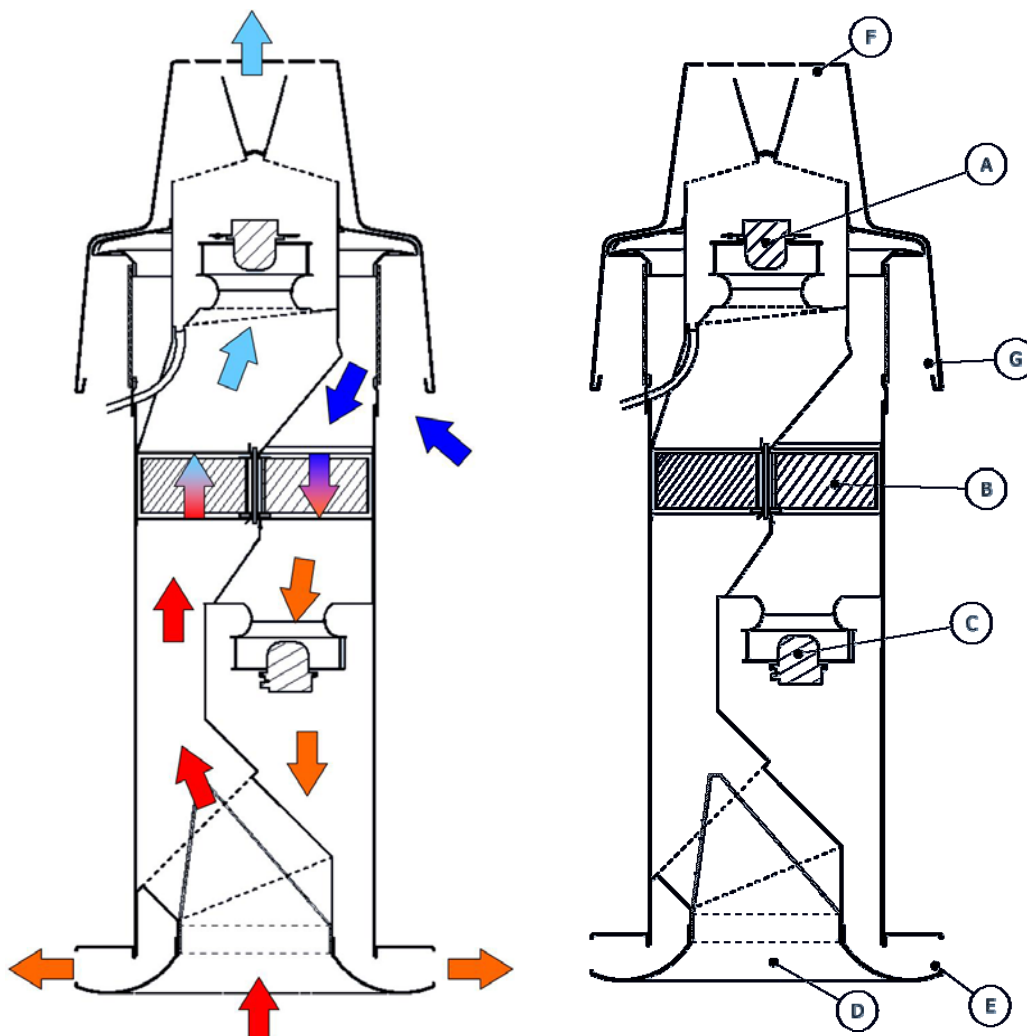
Simultaneously the inlet fan will (C) sucks air from the inlet cap (G) and send it through the other half of the heat exchanger.

The heated fresh air is sent to (E), and diffused in the room.

One half of the rotating heat exchanger will heat up in the warm flow of the exhaust air. When the heated material in the heat exchanger is in the cool flow of the inlet air, it will deliver heat from the material to the fresh air.

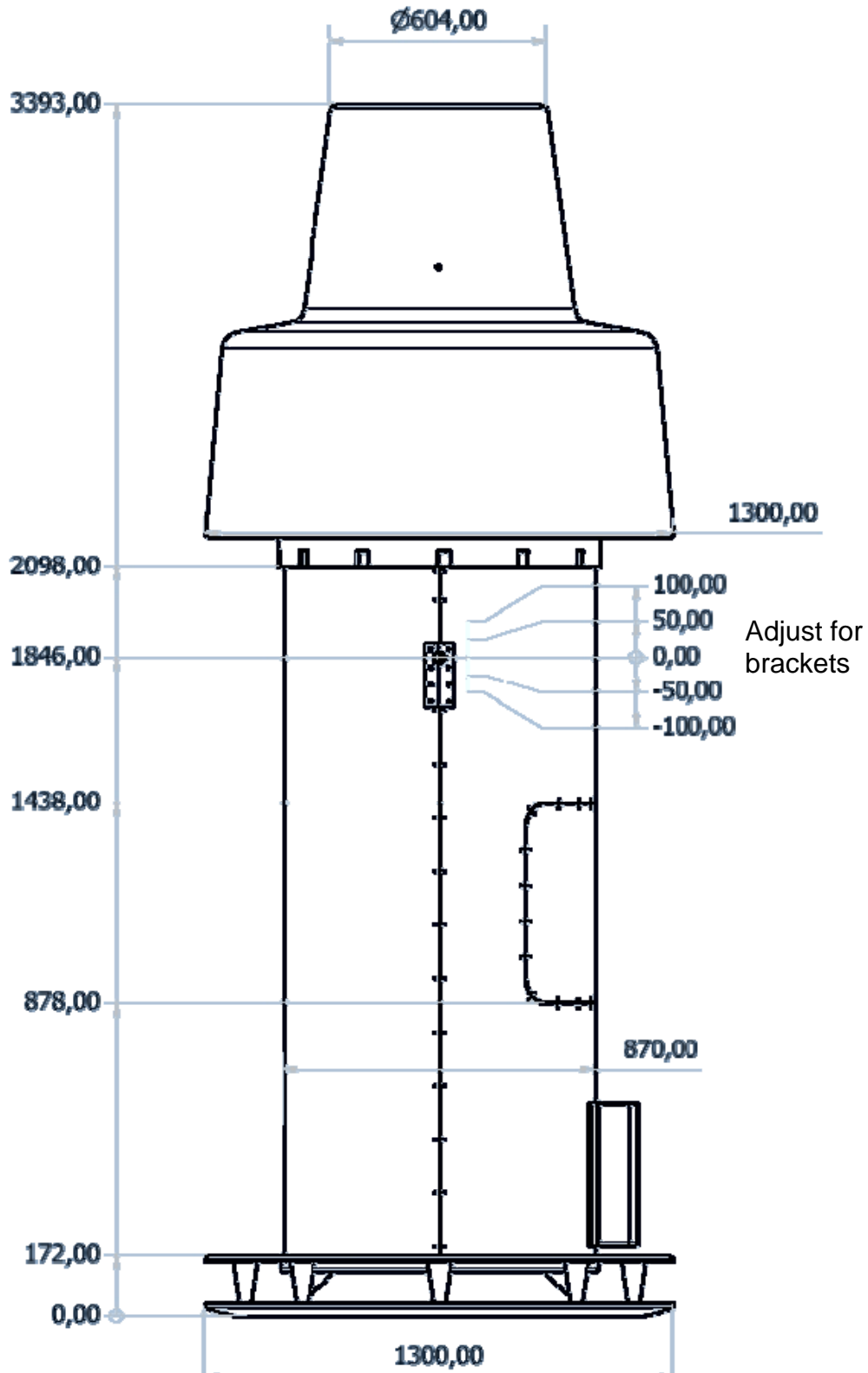
The process is regenerative as the heat exchanger rotates at low rpm.

The heat exchanger is equipped with a cleaning sector creating a low pressure to eliminate the possibility of undesirable leaks.



4.0.0 Installation

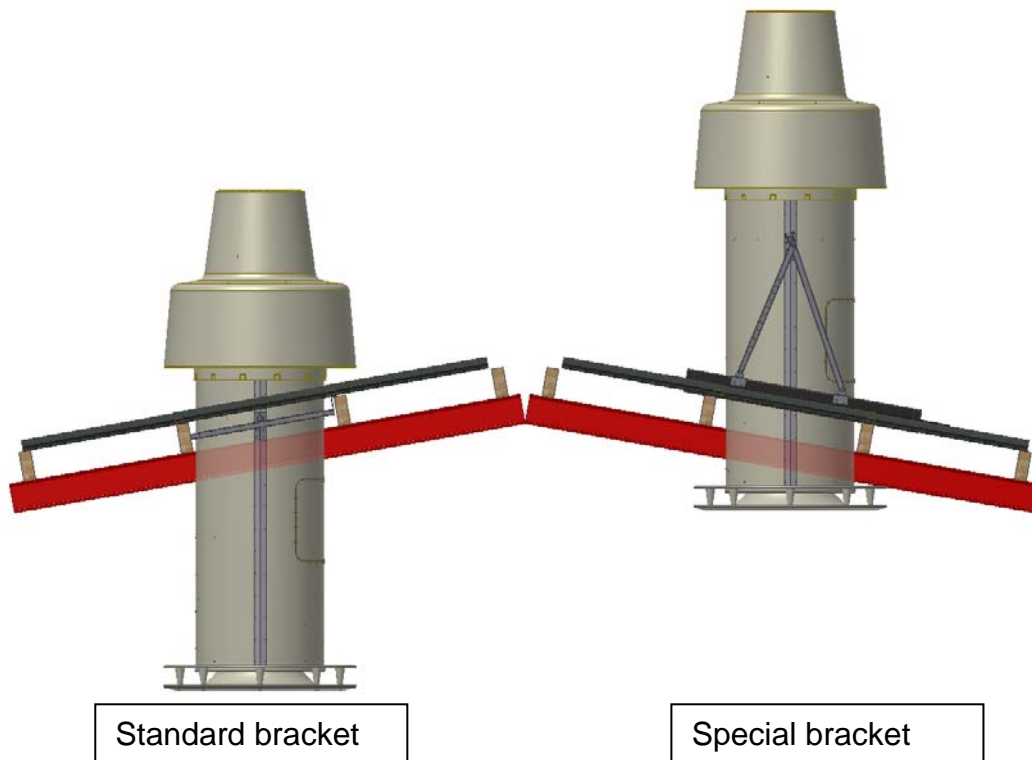
4.1.0 Dimensions



4.2.0 Placement

Turbovex TX 3100A is intended for installation through the roof. The unit can be placed in roofs with inclines ranging from 0 to 45 degrees. Turbovex TX3100A is available with two types of mounting brackets.

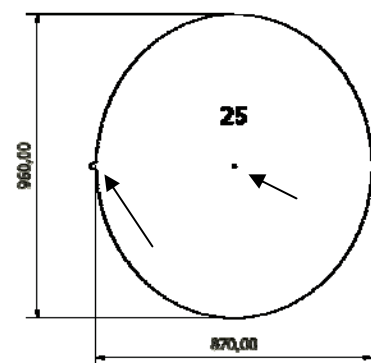
The standard mounting bracket places the inspection hatch inside the building. The special mounting bracket is intended for use if you want the hatch placed outside the building.



4.3. Template

It is a good idea to create a template according to the incline of the roof. Remember to mark 2 notches and a center hole. The notches are for placing the unit horizontally.

| | | |
|----|---|---------------|
| 0 | = | Ø870 mm |
| 5 | = | 870 x 880 mm |
| 10 | = | 870 x 890 mm |
| 15 | = | 870 x 900 mm |
| 20 | = | 870 x 930 mm |
| 25 | = | 870 x 970 mm |
| 30 | = | 870 x 1010 mm |
| 35 | = | 870 x 1070 mm |
| 40 | = | 870 x 1140 mm |
| 45 | = | 870 x 1240 mm |

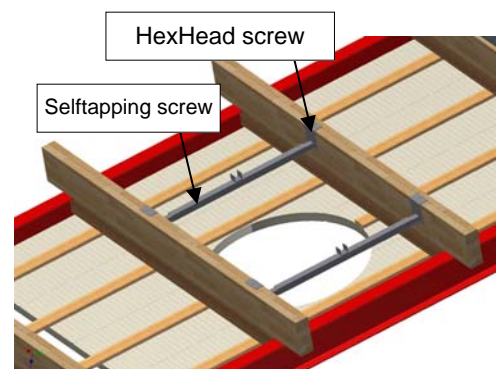


4.4.0 Installing the unit (standard mounting brackets)

Perform measurements and determine the placement of the unit and drill a small center hole vertically through the roof. Use the aforementioned template to make the rest of the hole for the unit according to the incline of the roof.

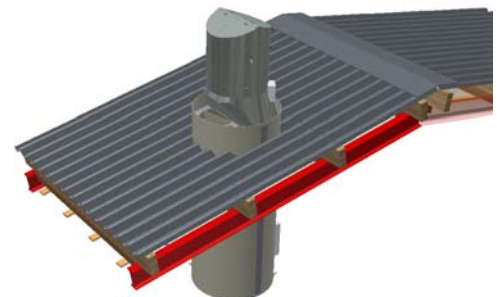


The mounting brackets are mounted between the purlins at a distance of 1000 mm between the two brackets. The mounting brackets are secured using mounting screws top and bottom.



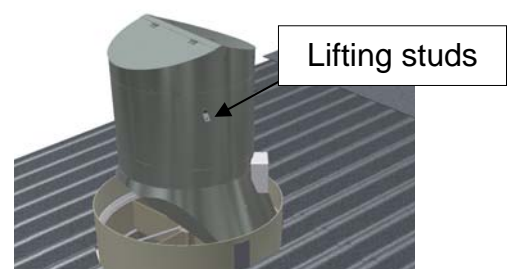
The forks on the bracket are adjusted so they are directly opposite and locked in place using self-tapping screws through in the telescopic tubes.

The unit, weighing about 200 kg. is mounted in the brackets so the studs fall into place in the saddle brackets.

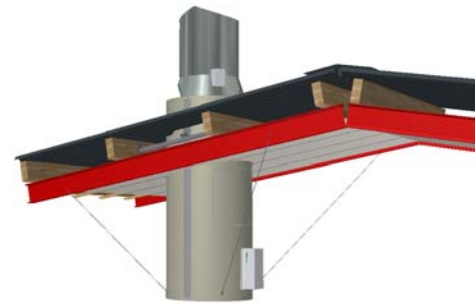


When installing on a slanted roof, please place the unit so the service hatch is facing the ridge of the roof to allow for easy access to the hatch.

The unit can be lifted using the two lifting studs mounted near the top of the unit.



Wire and wire tensioners are fitted in the four brackets on the side of the unit. Tension is applied to the wires between the supplied bracket mounted on purlins and battens. The purpose of the wires is to adjust and keep the unit in a vertical position.



The inlet ring is pushed onto the unit and secured using self-tapping screws from both inside and outside. Now proceed to complete the roofing.

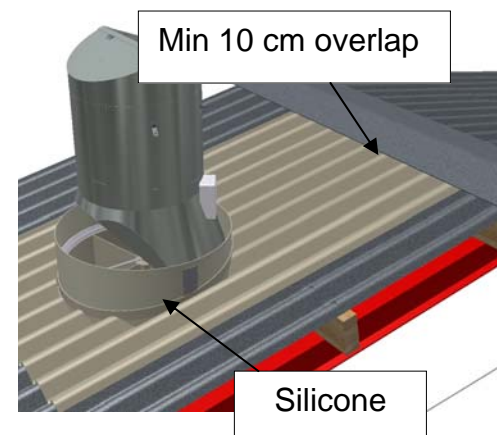


The soft cover is pulled over the unit. Seal the edge using silicone rubber. Use silicone rubber under the vertical part of the cover and on the top of the edge to secure a watertight joint.

When the cover is cut, please note you will need a 10 cm overlap with the overlying roof tile or ridge. The hole in the cover is cut using the same template used for cutting the hole in the roof.

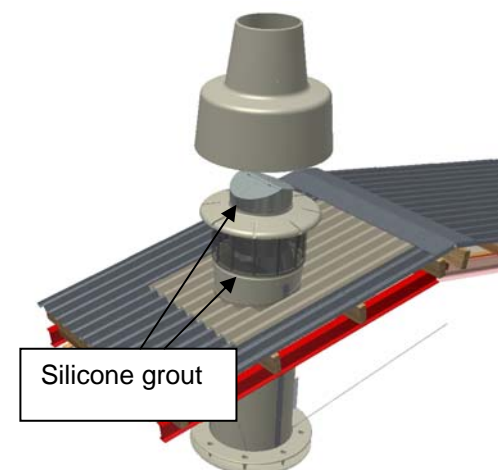
The hole in the cover must be cut in a diameter about 5 cm smaller than that of the template to ensure a tight fit.

The soft cover is fastened using self-tapping screws and needs to be no more than 15 mm inside the unit to ensure ample space for the rotating parts in the unit.



The filter holders are sealed with silicone rubber and secured using self-tapping screws.

The top cone is screwed in place using M8 bolts.



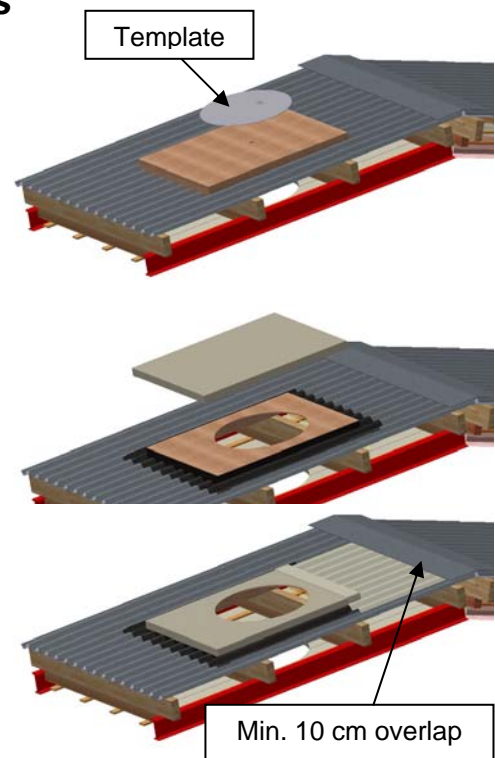
4.5.0 Installing the unit using special brackets

Perform measurements and determine the placement of the unit and drill a small center hole vertically through the roof. The wooden frame is aligned with the center hole. Now cut a square hole and secure the frame to the rafters

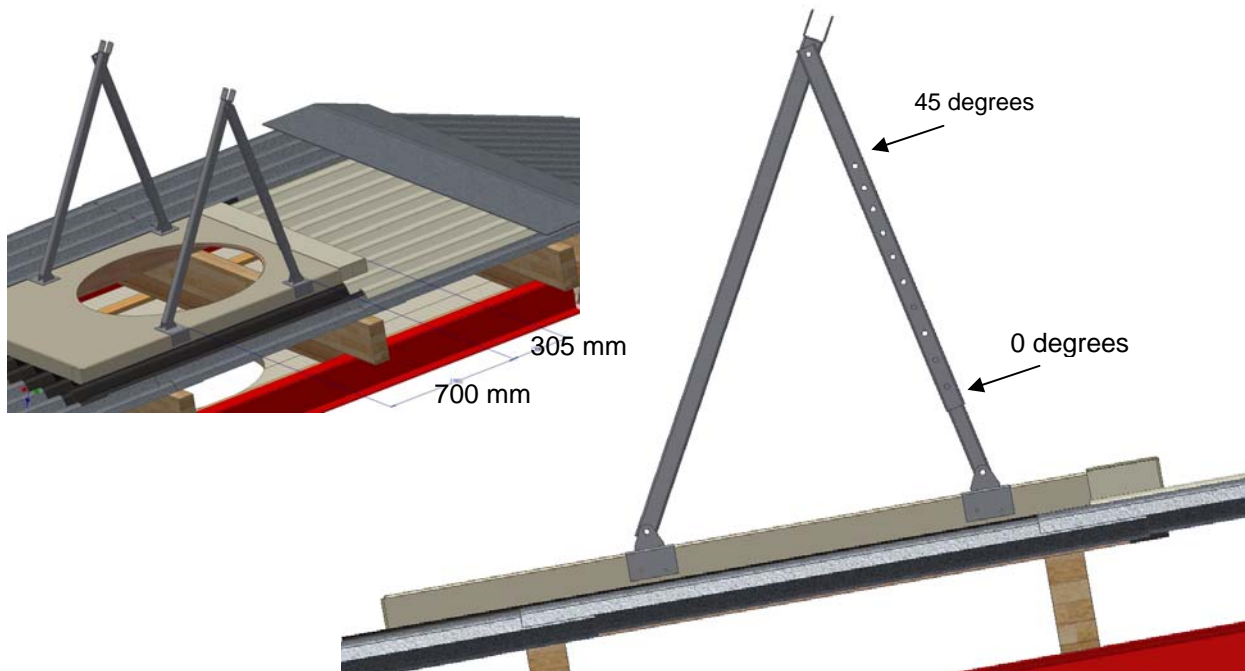
Use a template (see 4.3.0 template) and cut a hole in the wooden frame and the rest of the roof.

One part of the soft cover is mounted on the frame and the hole is cut out.

The other cover is fastened so it covers the top of the roof and goes min. 10 cm under the rooftop or the next roof tile.



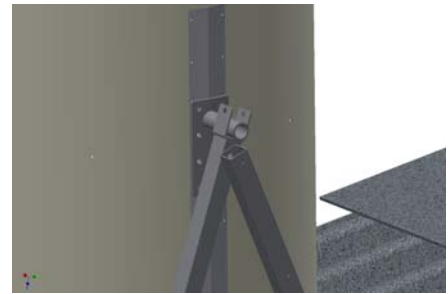
The two special brackets are mounted and the angle is adjusted according to the incline of the roof. The rods are placed as shown on the figure so the saddles of the brackets are nearer to the ventilation unit. The holes are placed in intervals of 5 degrees, from 0 to 45 degrees.



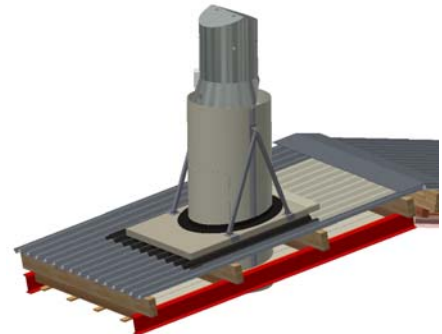
The unit, weighing about 200 kg is mounted in the brackets so the studs fall into place in the saddle brackets.

Place a bolt in the saddle brackets securing the studs in place.

When installing the unit on a slant roof using special brackets, ensure that the service hatch is faced away from the ridge of the roof for better access.

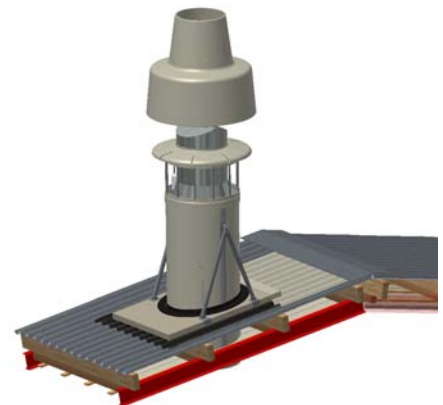


The large electric control unit can be moved to a different location if needed.



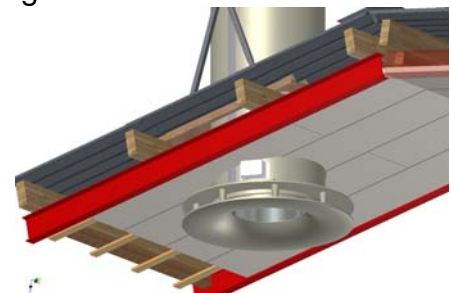
The filter holders are sealed using silicone rubber seal and secured in place using self-tapping screws.

The top cone is secured with M8 bolts. **To place the holes correct, make sure that the arrows on the filterholder and the top cone are aligned.**



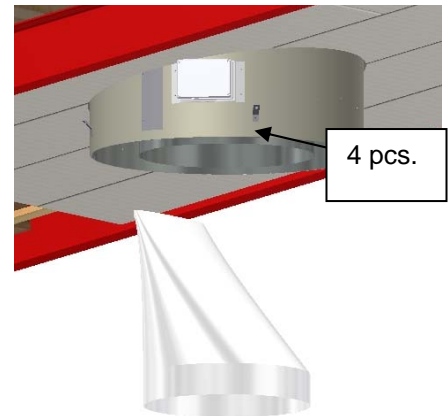
Now you can mount the inlet ring or a bottom extension. (see 4.6.0)

The intake ring is pushed over the two tubes in the unit and secured with self-tapping screws from both the inside and outside. Now finish the roofing.

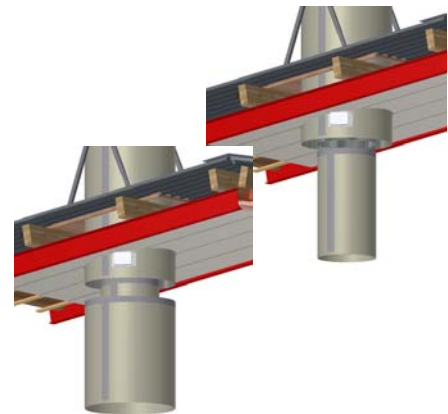


4.6.0 Installing bottom extension

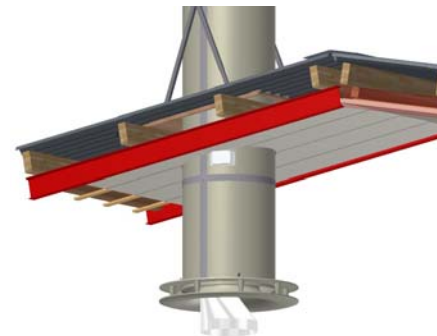
Dismantle the bottom filter and the 4 angle brackets for the wires. The screws must remain in the unit so the unit won't be leaky.



First mount the inner tube and then the outer tube on the unit.

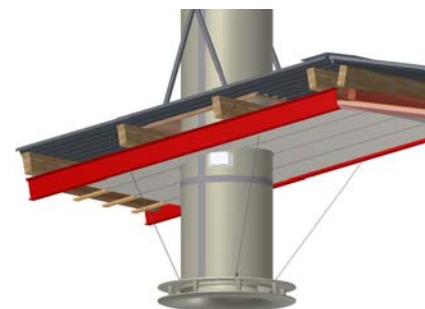


The intake ring is mounted on the extension tubes.



The filter and the angle brackets are reattached. The brackets are fastened using the supplied screws in the extension tubes.

Wire and wire tensioners are fitted. Tension is applied to the wires between the supplied bracket mounted on purlins and battens. The purpose of the wires is to adjust and keep the unit steady in a vertical position.



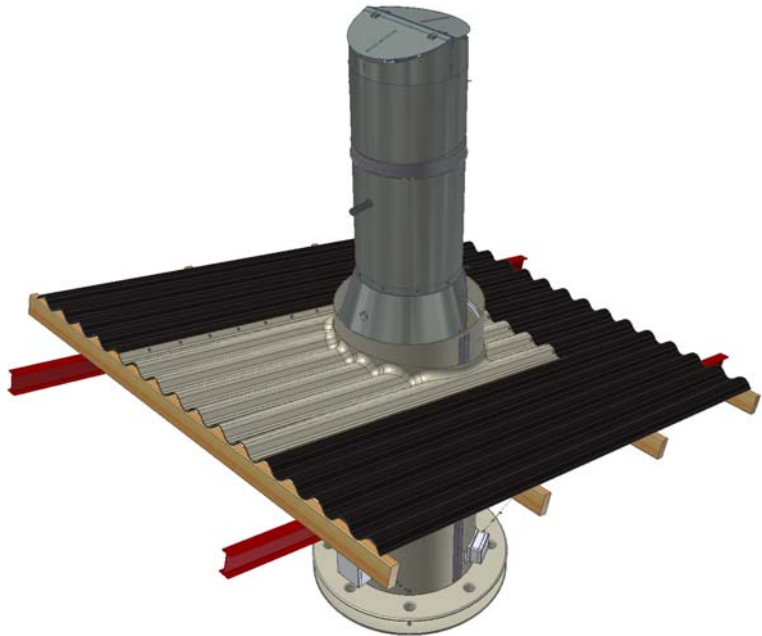
4.7.0 Installing top extension

Mount the inner part of the top extension:

The spiral duct goes out around the collar and secured with the supplied screws. The attachment points are marked with yellow marks.

Make sure the drain hole is located above the blinded hole on the unit!

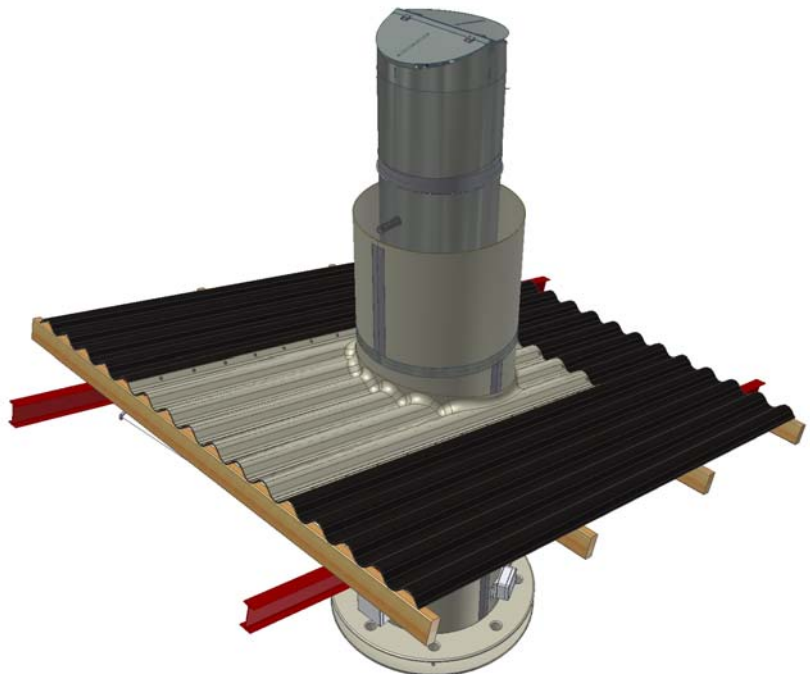
The electrical cubicle is screwed onto the spiral duct and wiring installed in accordance with the wiring diagram in section 6.0.0.



Mount the outer part of the top extension:

The top-extension's plastic cover is mounted on top of the unit's plastic cover and is fastened with the supplied screws through the bottom holes in the metal collar.

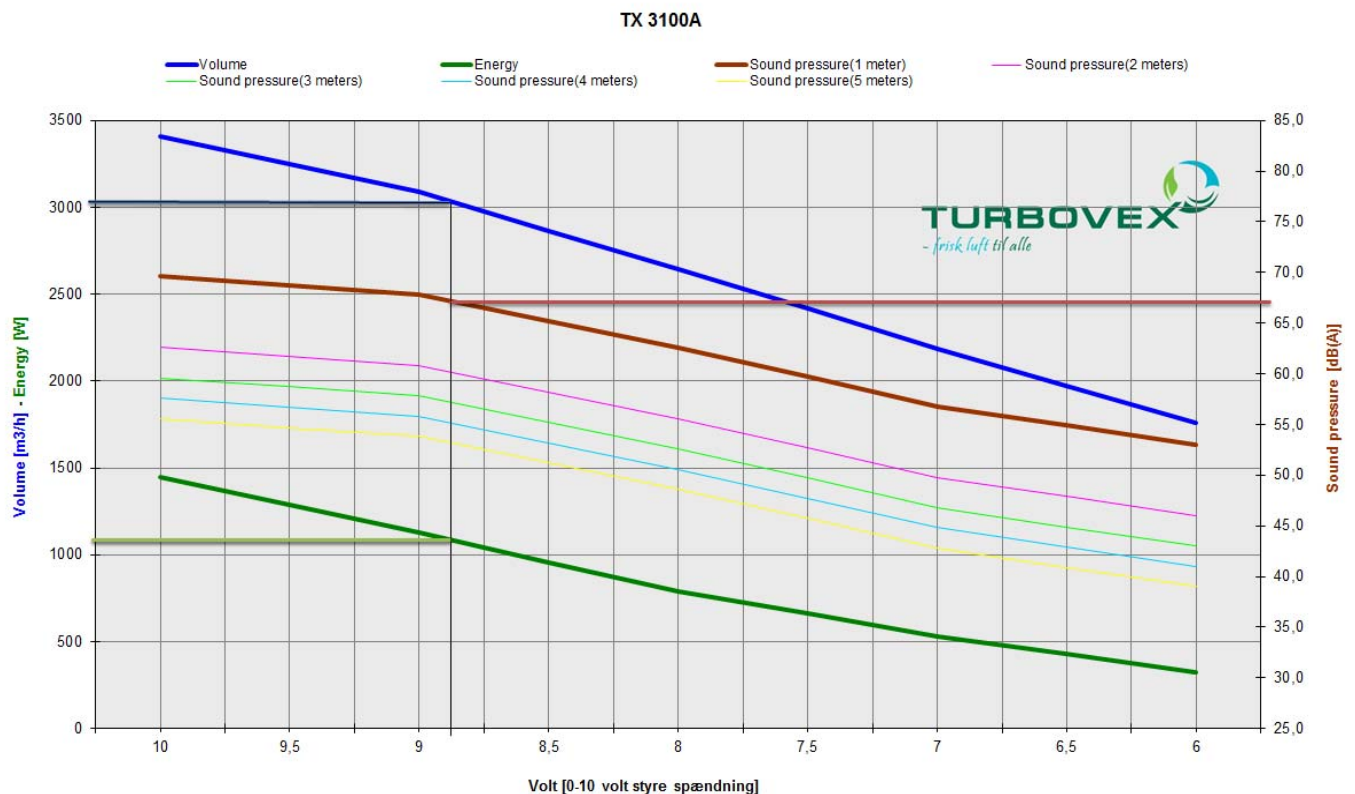
The filter holder and jet hood are installed in accordance with section 4.4.0.



5.0.0 Technical specifications

5.1.0 Unit

| | |
|---|-----------------------------------|
| Type | : Turbovex TX 3100A |
| Capacity | : 1400 – 3000 m ³ /h |
| Forced operation | : 3400 m ³ /h |
| Power | : 1 x 230V / 50 Hz |
| Output (Motor) | : Max. 2x750 Watt |
| Energy consumption (3000 m ³ /h) | : 1044 W - 1,25 KJ/m ³ |
| Heat recovery (3000 m ³ /h) | : 75 % |



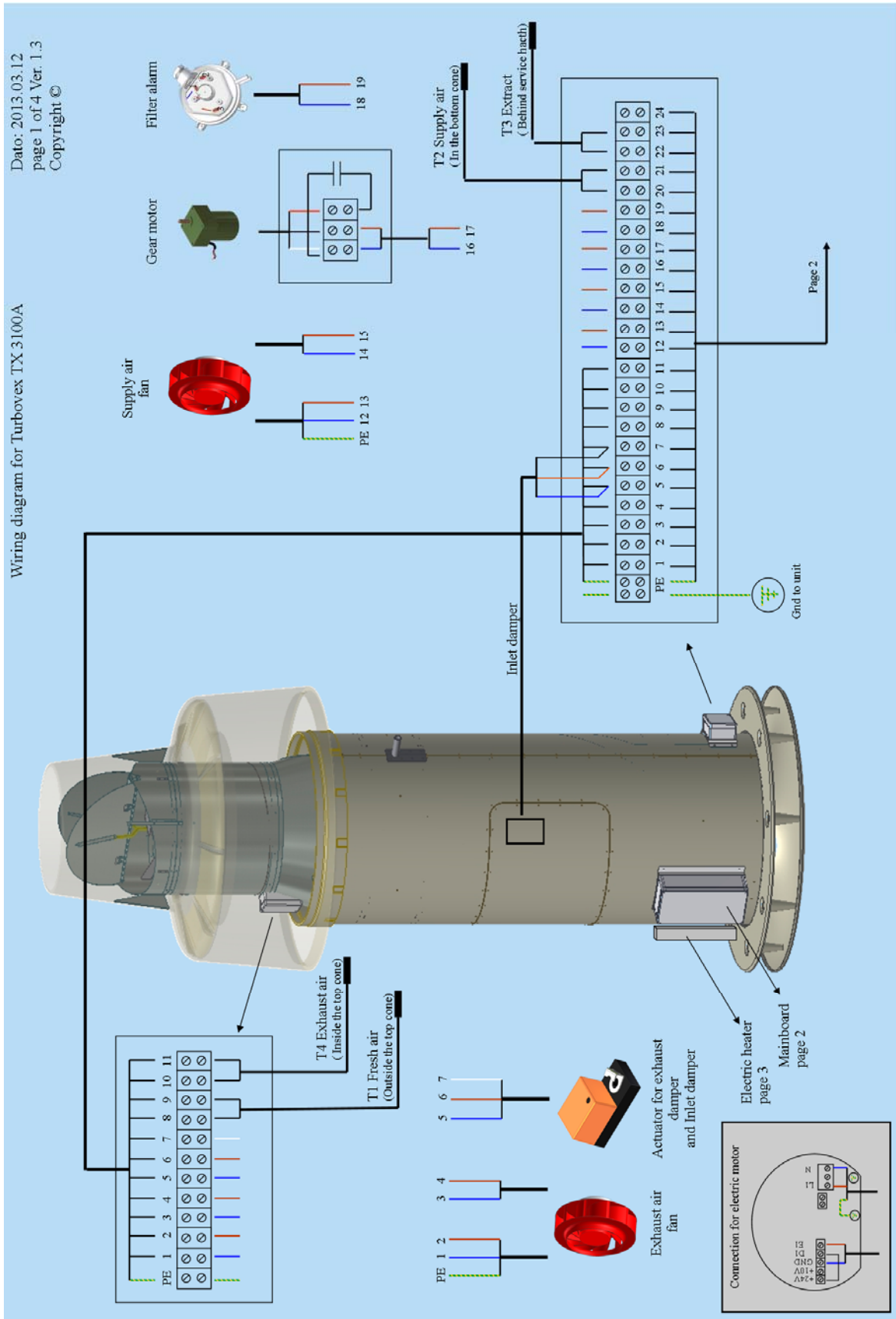
Turbovex TX 3100A is tested in cooperation with Ziehl-abegg – www.ziehl-abegg.com

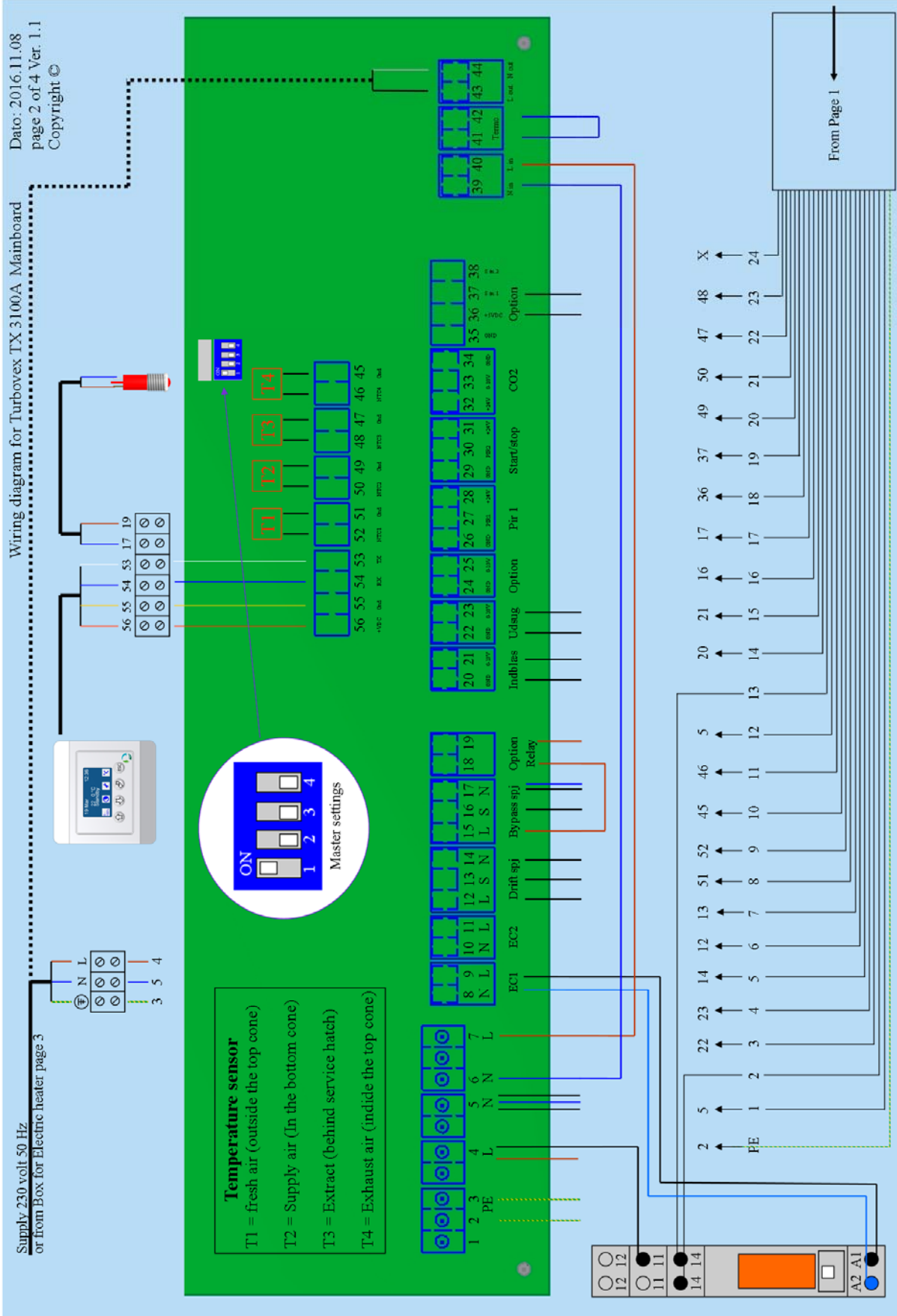
The airflow indicates the balanced air exchange in relation to the control voltage. (0-10 volt) and is shown in m³/h. The unit can be adjusted manually to suit your required air exchange.

The sound level is shown in decibel – dB (A) in relation to air exchange.

The sound is measured in 1 to 5 meters from the unit under normal conditions.

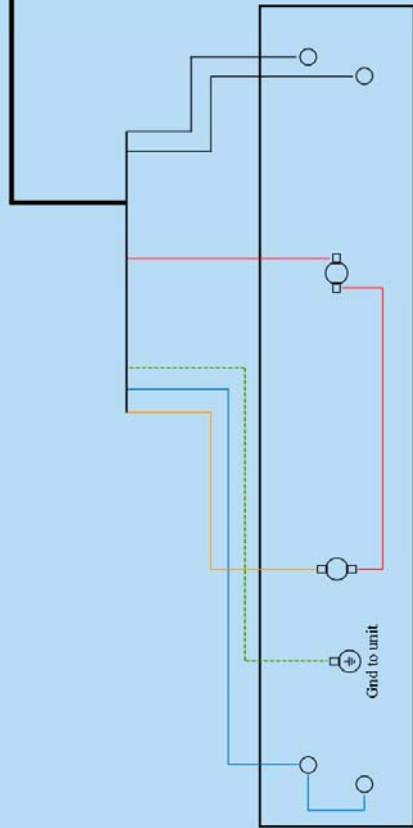
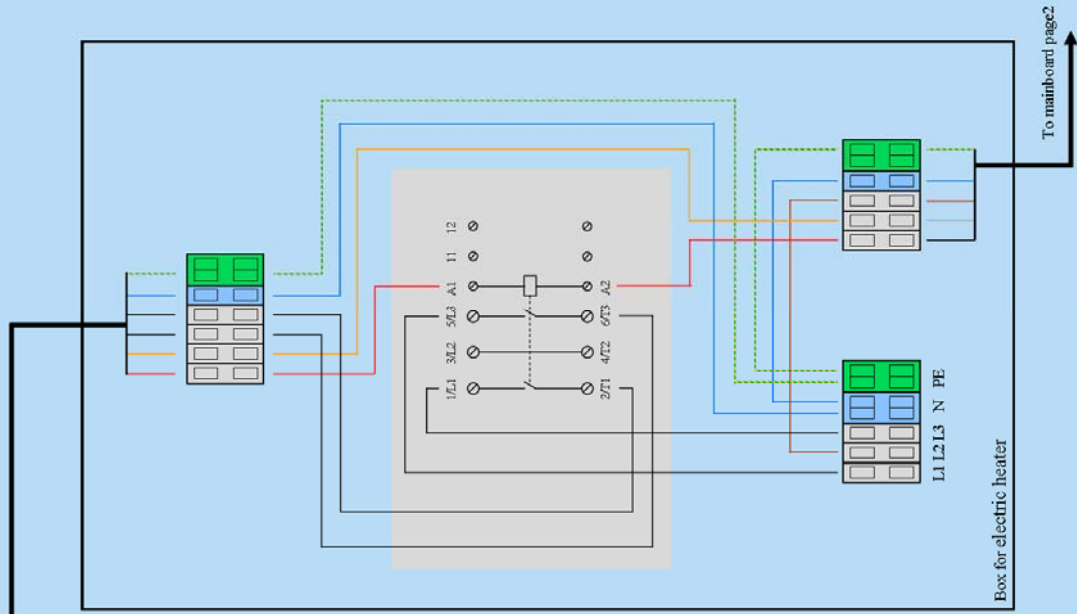
6.0.0 Electrical installation





Dato: 2016.11.07
 page 3 of 4 Ver. 1.0
 Copyright ©

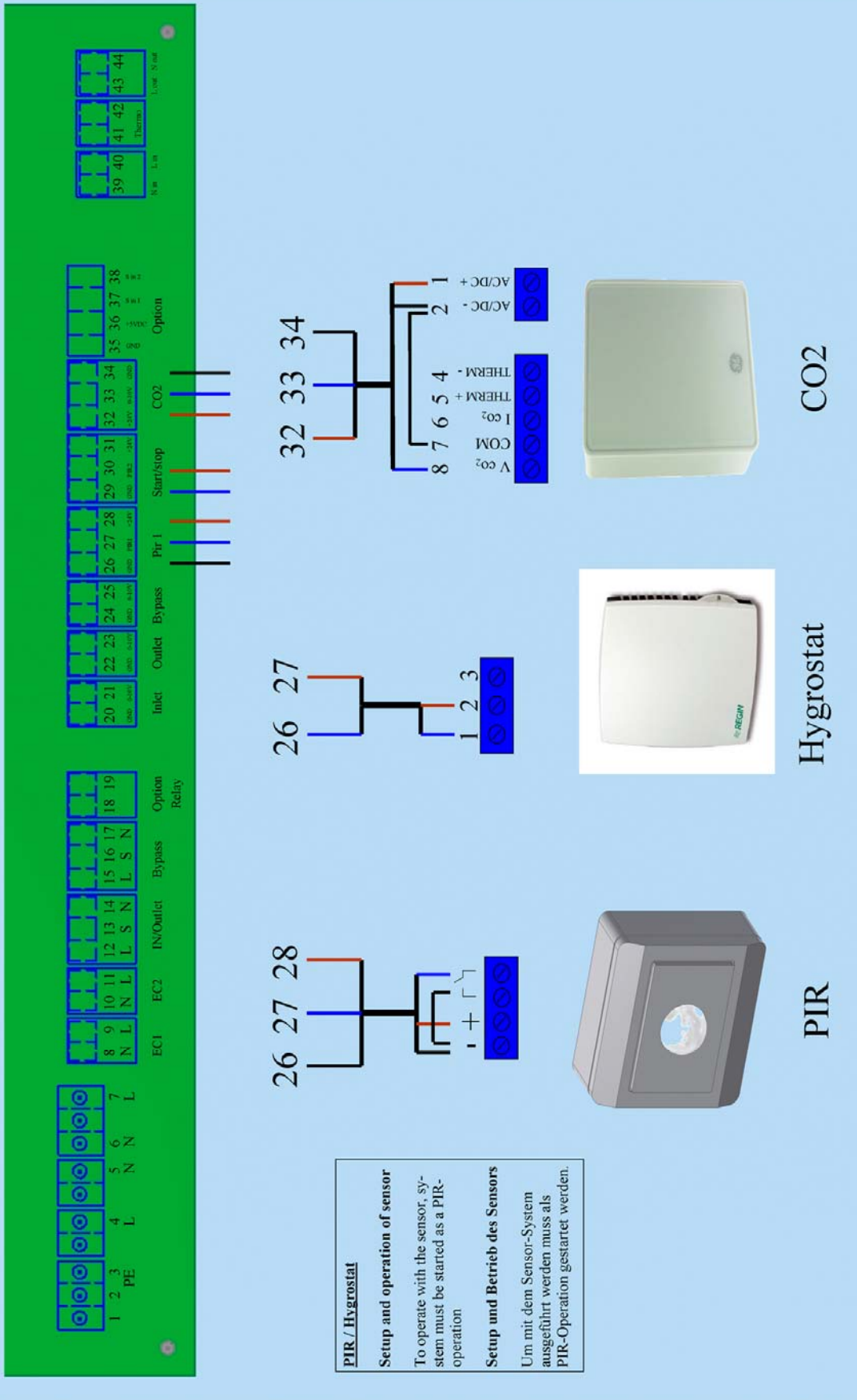
Wiring diagram for Turbovex TX 3100A Electric heater



Electric heater




Electric heater foto



7.0.0 Service

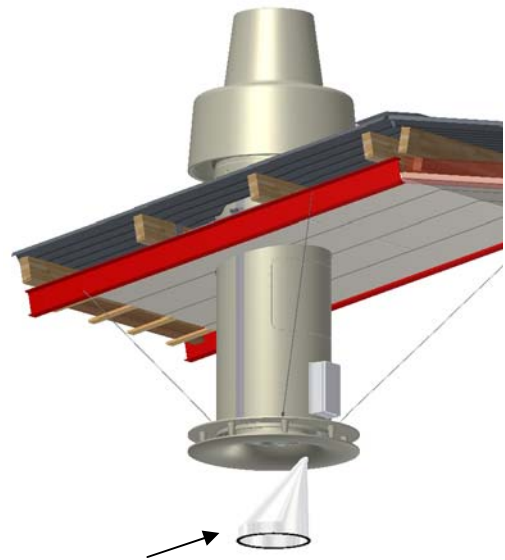
7.1.0 Service report

| | | | | | |
|--|-----------------------|---|---------------|-------------|-----------------|
| Servicereport for model | |  | | | |
| Unit nr. | | | | | |
| Installation address | | | | | |
| Customer's name | | | | | |
| Road and number | | | | | |
| Postcode and location | | | | | |
| Telephone | | | | | |
| Contact person | | | | | |
| Phone number | | | | | |
| Date | / - 20 | | | | |
| Status | Not applicable | Poor | Medium | Good | Replaced |
| Replacement of inlet filter | | | | | |
| Replacement of exhaust filter | | | | | |
| Cleaning of heat exchanger | | | | | |
| Overall inside cleaning of unit | | | | | |
| Damper exhaust motor | | | | | |
| Hinges on the damper flap | | | | | |
| Fan motor inlet | | | | | |
| Fan motor exhaust | | | | | |
| Rot. heat exchanger's bearings | | | | | |
| Rot. heat exchanger's brushes | | | | | |
| Rot. heat exchanger's motor | | | | | |
| Wires and penetrations | | | | | |
| Temperature gauge | | | | | |
| Control unit - motor | | | | | |
| Motor mount / rubber mount | | | | | |
| Pressure guard adjustment | | | | | |
| Time set and date | | | | | |
| CO2 sensor function | | | | | |
| Pir sensor function | | | | | |
| | | | | | |
| | | | | | |
| Service Technician: _____ | | | | | |
| <p>Turbovex A/S Industrivej 45, DK – 9600 Aars Telefon: +45 96 98 14 62 – Fax: +45 98 96 42 24 e-mail: info@turbovex.dk – www.turbovex.dk</p> | | | | | |

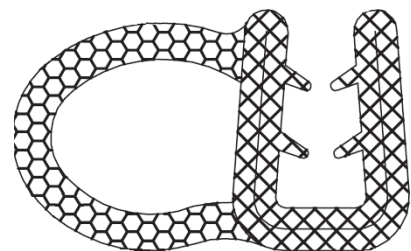
7.2.0 Filter change

There is two filters in the TX 3100A there need to be changed. If the filter change indicator lights up, change the filters. Maintenance of the filters is necessary or else you will damage the heat exchanger and the unit will not work

The exhaust air filter is placed in the bottom of the unit and is easy to remove and replace a new one. The only thing there is holding the filter is a rubber on the edge of the filter.

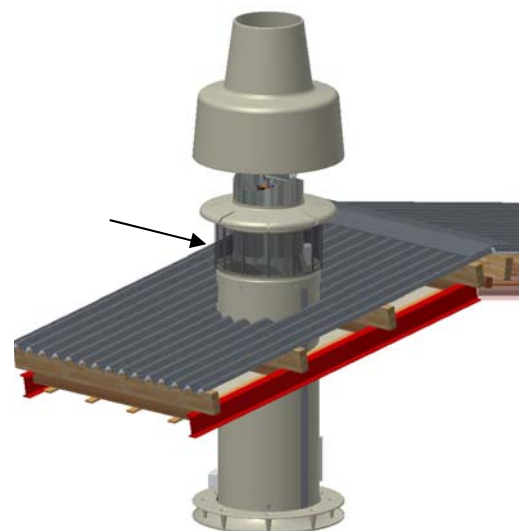


The rubber seal must be placed so the circular part is facing outwards. Otherwise air leakage will occur and there will be a fall hazard of the filter.



The supply air filter is placed at the outside under the top cone, who's projecting against wind and weather. The filter stuck with Velcro and is therefore easy to remove and replace a new one.

If you have some space problems when changing the filter, it's possible to remove the top cone.



8.0.0 Declaration of conformity

The Declaration of conformity can be seen on our website:

<https://www.turbovex.dk/en/download/documentation/>