

A close-up photograph of vibrant green grass blades with several clear water droplets of varying sizes clinging to them. The background is a soft, out-of-focus green with bokeh light effects.

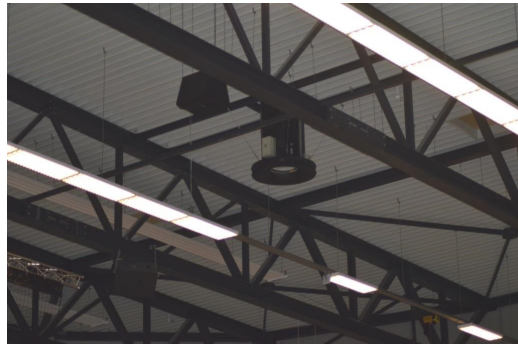
INVITE NATURE INSIDE

TX 3100A

Juni 2022

The logo for TURBOVEX, featuring a stylized blue and green circular emblem with a white swoosh.

TURBOVEX
- *fresh air* for everyone



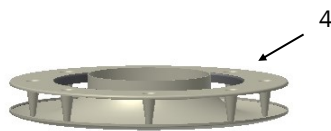
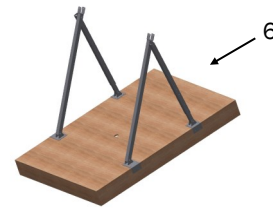
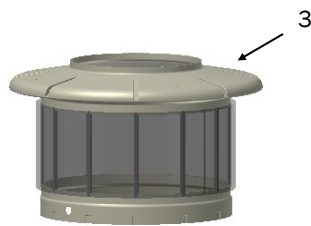
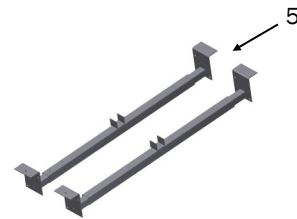
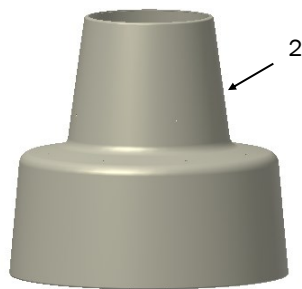
TX 3100A



A Decentral Ventilation with a capacity from 1400 to 3000 m³/h, can be used in the following locations:

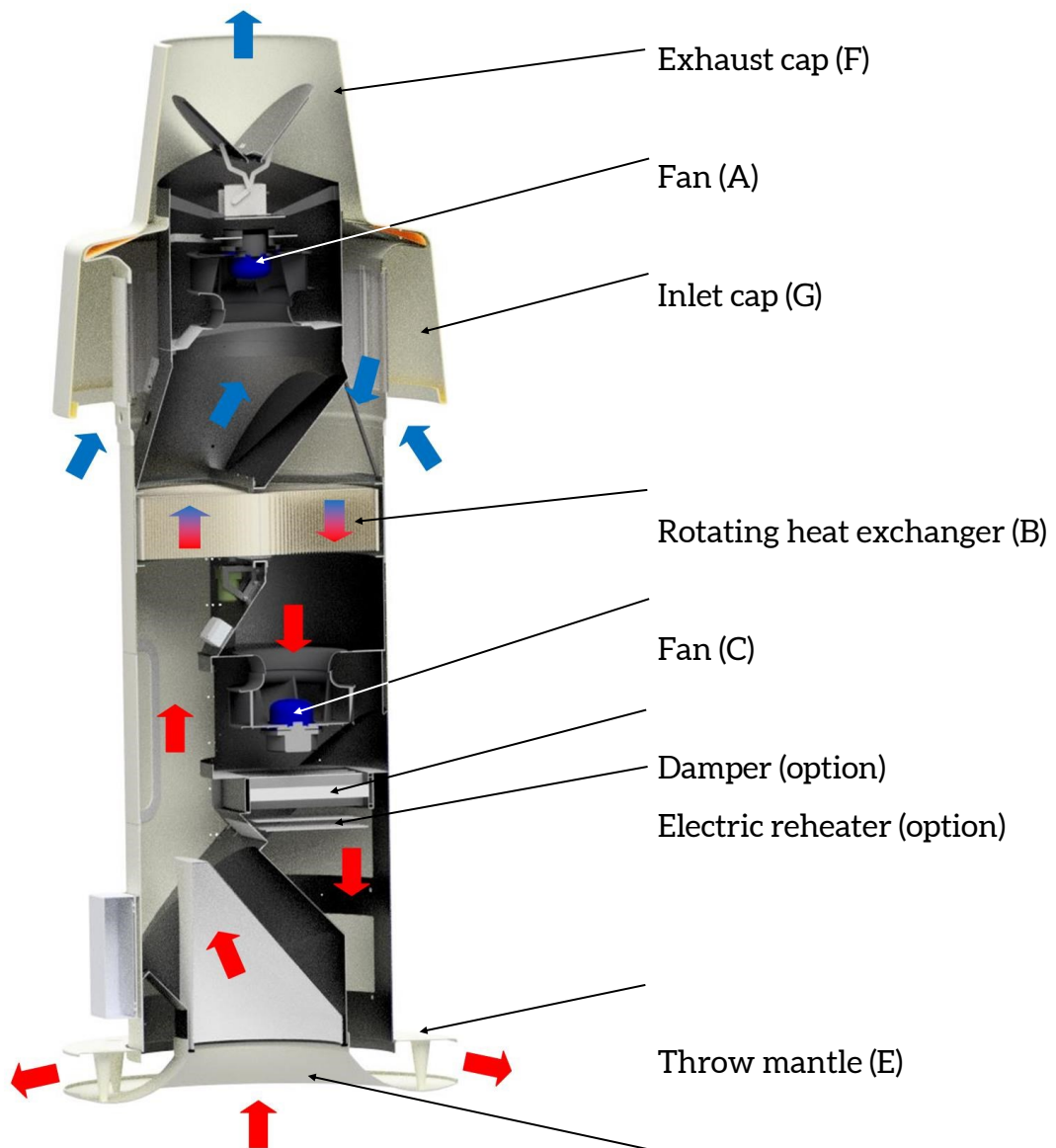
- Auto repair shops
- Production companies
- Sports halls
- Shopping centres

MAIN COMPONENTS - TX 3100A



1. TX 3100A unit
2. Top cone
3. Filter holder
4. Inlet ring
5. Standard mounting brackets
6. Special mounting brackets (optional)
7. TX Electronic Control Display

FUNCTION OF THE UNIT



The principle of the heat recovery in the TX3100A is based on the rotating heat exchanger (B). The exhaust fan (A) extracts the warm room air from the funnel (D) through half of the heat exchanger (B), and send it through the exhaust cap (F).

Simultaneously the inlet fan will (C) suck air from the inlet cap (G) and send it through the other half of the heat exchanger.

The heated fresh air is sent to (E), and diffused in the room.

One half of the rotating heat exchanger will heat up in the warm flow of the exhaust air. When the heated material in the heat exchanger is in the cool flow of the inlet air, it will deliver heat from the material to the fresh air.

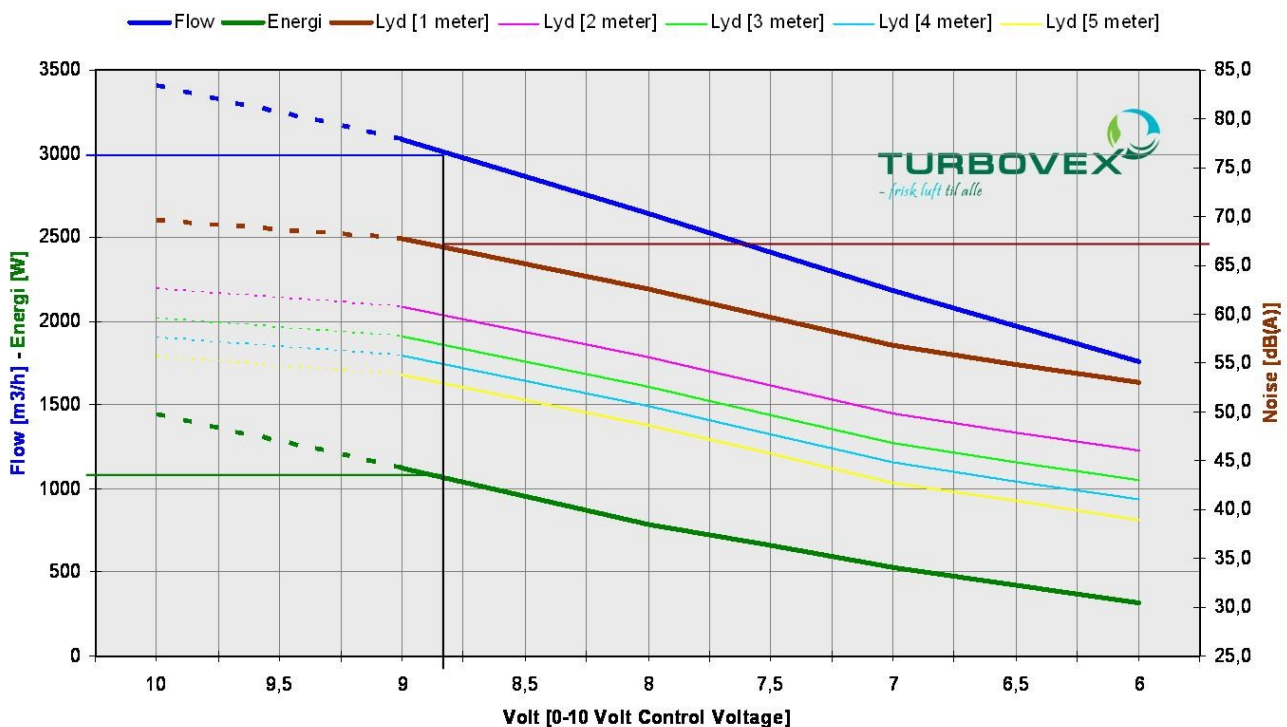
The process is regenerative as the heat exchanger rotates at low rpm.

The heat exchanger is equipped with a cleaning sector creating a low pressure to eliminate the possibility of undesirable leaks.

TECHNICAL SPECIFICATIONS

Dimensions L x B:	3393x1300 mm
Capacity :	1400-3000 m ³ /h
Heat recovery (3000 m ³ /h) :	74 %
Filter:	F5
Weight:	224 Kg
Power supply:	1 x 230 V/50Hz
Output (motor):	2 x 750Watt
Energy consumption (3000 m ³ /h) :	1044 Watts—1,25 Kj/m ³
Current:	4,5 A
Sound:	46-60 dbA
Pipe thickness of the lead-through	870 mm
Electric reheater (option)	6 kW

TX 3100A



TX 3100A is tested in cooperation with Ziehl-abegg - www.ziehl-abegg.com

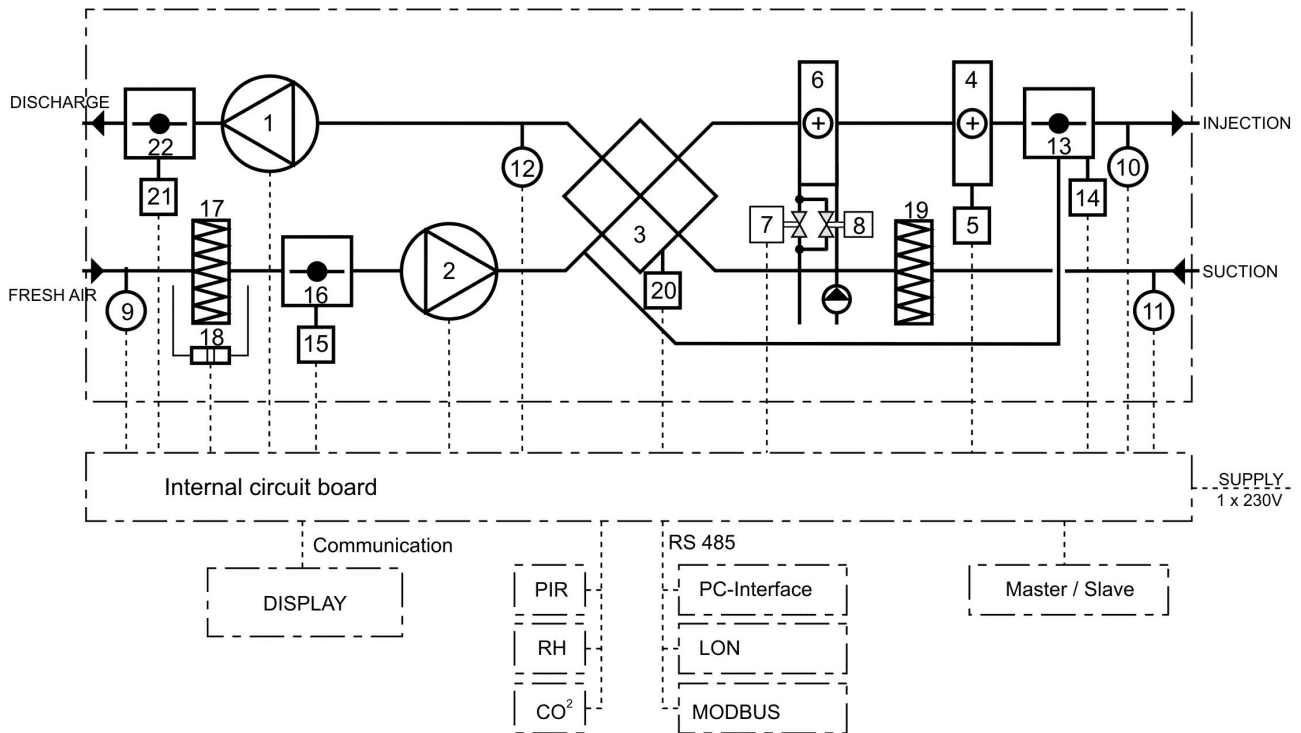
The airflow indicates the balanced air exchange in relation to the control voltage. (0-10 volt) and is shown in m³/h. The unit can be adjusted manually to suit your required air exchange.

The sound level is shown in decibel - dB (A) in relation to air exchange.

The sound is measured in 1 to 5 meters from the unit under normal conditions.

FLOWCHART

FLOWCHART F. TURBOVEX DECENTRAL VENTILATION W. ELECTRONIC CONTROL



● STANDARD ○ OPTION

Pos. No	Components	TX 250A	TX 500A	TX 750A	TX 1000A	TX 3100A
1	Suction fan EC	●	●	●	●	●
2	Blower fan EC	●	●	●	●	●
3	Heat exchanger (air - air)	●	●	●	●	●
4	Heating surface	○	○	○	○	○
5	Fire-protection thermostat	○	○	○	○	○
6	Heating coil	○	○	○	○	○
7	Frost-protection thermostat	○	○	○	○	○
8	Control-valve	○	○	○	○	○
9	Freshair temperature-sensor	●	●	●	●	●
10	Injection temperature-sensor	●	●	●	●	●
11	Suction temperature-sensor	●	●	●	●	●
12	Discharge temperature-sensor	●	●	●	●	●
13	By-pass damper	●	●	●	●	●
14	Motor f. automatic By-pass	●	●	●	●	●
15	Motor f. internal damper	●	●	●	●	○
16	Internal damper	●	●	●	●	○
17	Filter Freshair M5	●	●	●	●	●
	Filter Freshair F7	○	○	○	○	○
18	Filter-alarm	●	●	●	●	●
19	Filter Discharge M5	●	●	●	●	●
20	Motor f. rotating exchanger / by-pass					●
21	Motor f. internal damper					●
22	Internal damper					●



EXCHANGER

ST1-LL-WH-0820-CS-V1-FR-5

Condensation wheel

Date: 18.10.2016

ErP 2018 Ready

Thermal performances			Heating	
			Supply air	Extract air
Temperature efficiency	η_t	%	74,0	
Humidity efficiency	η_x	%	38,6	
Enthalpy efficiency	η_h	%	64,0	
Temperature effectiveness	ε_t	%	74,0	
Humidity effectiveness	ε_x	%	38,6	
Total effectiveness	ε_h	%	64,0	
Thermal efficiency (ErP)	$\eta_{t,nrvu}$	%	74,0	

Actual volume flow	V	m ³ /h	3 000	3 000
Mass flow	m	kg/h	3 600	3 600

Capacity of the heat recovery system

Sensible	$Q_{sensible}$	kW	19,4	-19,4
Latent	Q_{latent}	kW	3,9	-3,9
Total	Q_{HRS}	kW	23,3	-23,3
Mass transfer humidity	m	kg/h	0	5

Pressure drop

Actual pressure drop	$\Delta p_2 / \Delta p_1$	Pa	159	175
Press. drop @ std. density	Δp	Pa	174	174
Face velocity @ std. density	v	m/s	3,2	3,2

In

Nominal flow rate	V	m ³ /h	3 000	3 000
Temperature DB	t_{21} / t_{11}	°C	-5,0	21,0
Rel. humidity	RH	%	90,0	40,0
Abs. humidity	x	g/kg	2,2	6,2
Density	ρ	kg/m ³	1,20	1,20
Enthalpy	h	kJ/kg	0,5	36,9

Out

Nominal flow rate	V	m ³ /h	3 000	3 000
Temperature DB	t_{22} / t_{12}	°C	14,2	1,8
Rel. humidity	RH	%	37,4	99,0
Abs. humidity	x	g/kg	3,7	4,2
Density	ρ	kg/m ³	1,20	1,20
Enthalpy	h	kJ/kg	23,8	12,4

Efficiency / Efficiency class (EN 13053)	η_e	%	71,5		H1
Leakage data complies with Eurovent	@ Δp_{22-11}	Pa	250		
	EATR	%	0,00	OACF	1,16
Altitude / Air pressure	m		0	mbar	1 013

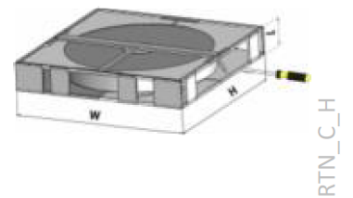
Technical description

Condensation rotor type ST1; humidity is only transferred in cases when the dew point of one of the air streams is reached during winter conditions.

ST1 is built with an untreated aluminum foil is a cost-efficient solution to recover heat for standard applications.

CS is a slide-in casing for one piece rotors $\varnothing 300 - 2600$ mm which fit into air handling units.

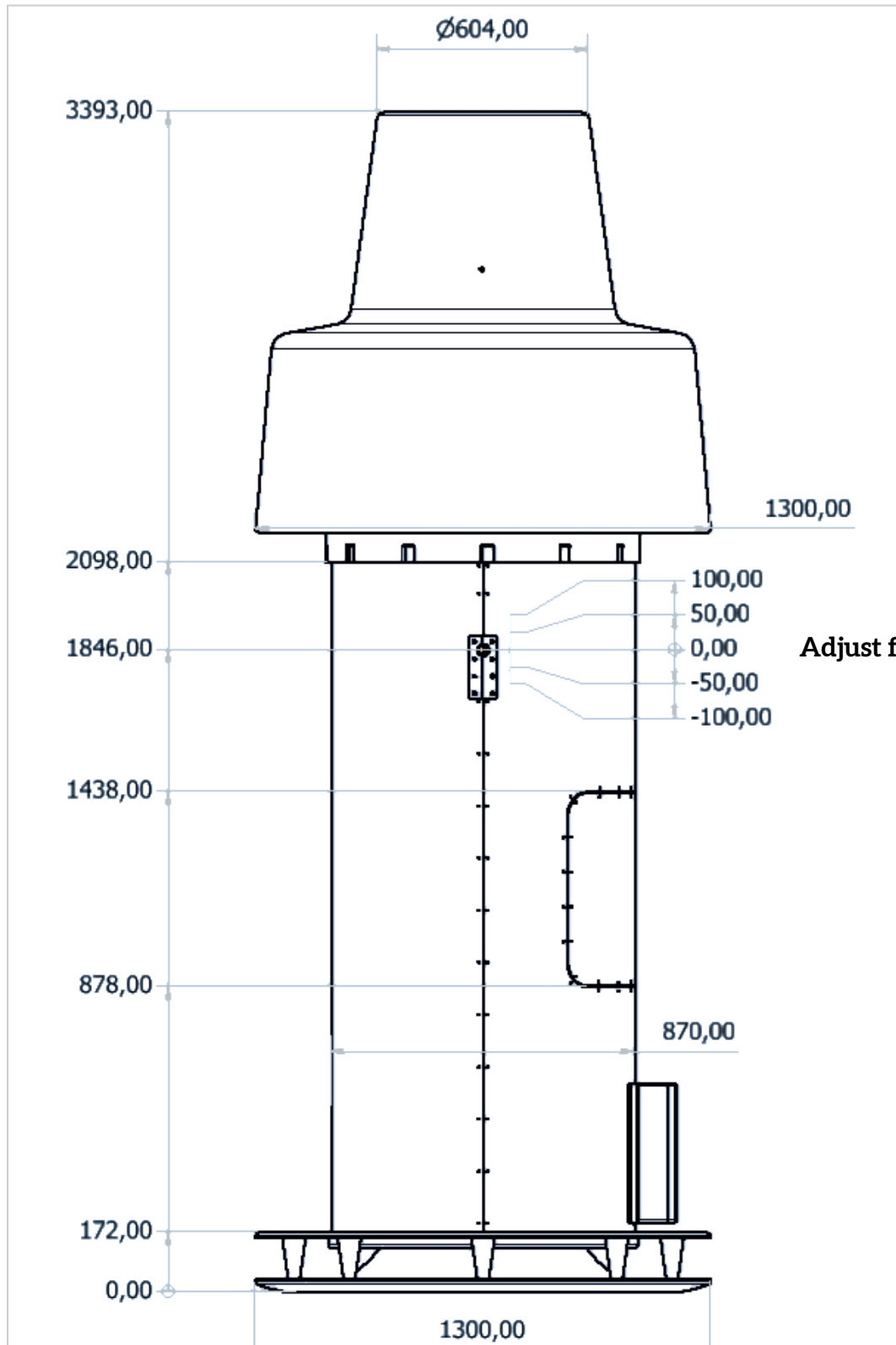
Rotor		
\varnothing	820	mm
Wave height	1,70	mm
Rotor width	200	mm
One piece (W)		
Orientation	Horizontal (H)	
Rotor speed	12,0	1/min



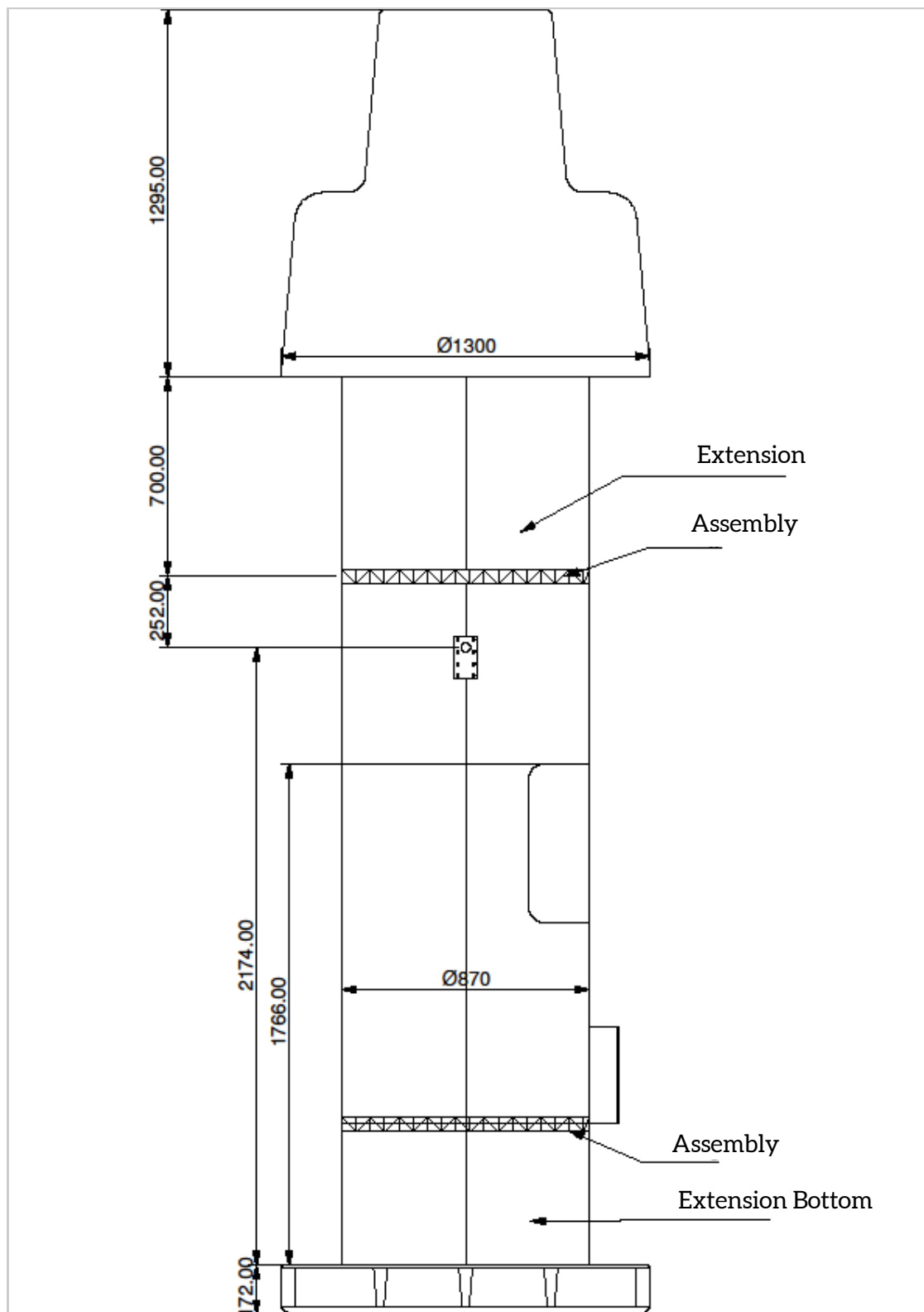
Casing		
Weight appr.	53	kg
H	920	mm
W	920	mm
L	290	mm
Purge sector	5	°



DIMENSIONAL DRAWING – STAN-

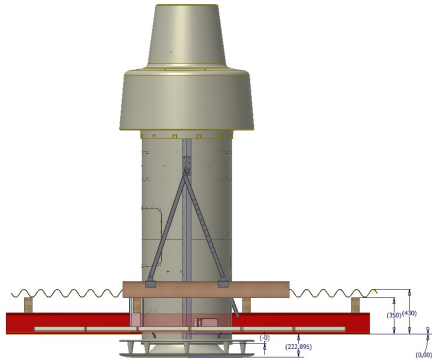


DIMENSIONAL DRAWING-with ex-



PROPOSAL FOR INSTALLATION

Pitch 0°



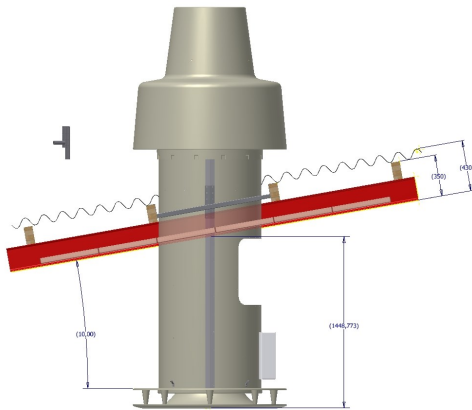
STANDARD:

TX 3100A unit
TX Electronic Control
Soft flashing sheet

OPTION:

Flashing frame for outside mounting
Extension Top (700 mm)
Extension Bottom (500 mm)
Adjustable brackets for the flashing frame (set)
Long brackets for adjustment of the suspension + - 18 cm

Pitch 10°



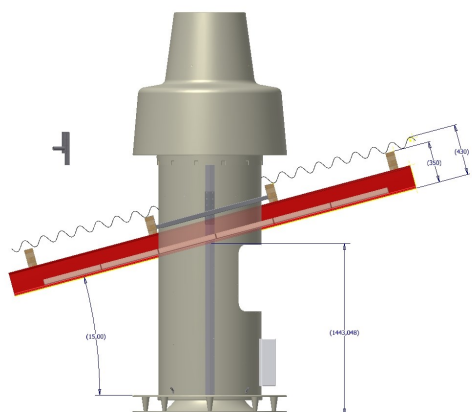
STANDARD:

TX 3100A unit
TX Electronic Control
Soft flashing sheet

OPTION:

Flashing frame for outside mounting
Extension Top (700 mm)
Extension Bottom (500 mm)
Adjustable brackets for the flashing frame (set)
Long brackets for adjustment of the suspension + - 18 cm

Pitch 15°



STANDARD:

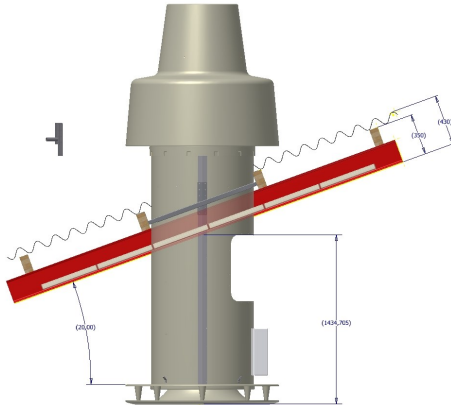
TX 3100A unit
TX Electronic Control
Soft flashing sheet

OPTION:

Flashing frame for outside mounting
Extension Top (700 mm)
Extension Bottom (500 mm)
Adjustable brackets for the flashing frame (set)

PROPOSAL FOR INSTALLATION

Pitch 20°



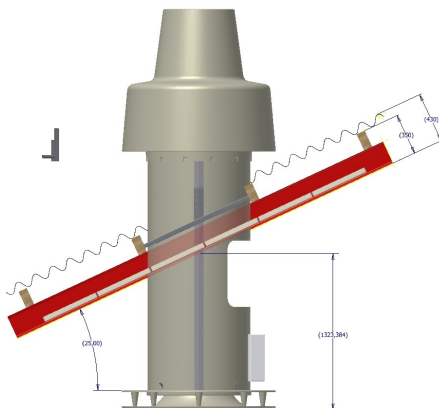
STANDARD:

TX 3100A unit
TX Electronic Control
Soft flashing sheet

OPTION:

Flashing frame for outside mounting
Extension Top (700 mm)
Extension Bottom (500 mm)
Adjustable brackets for the flashing frame (set)

Pitch 25°



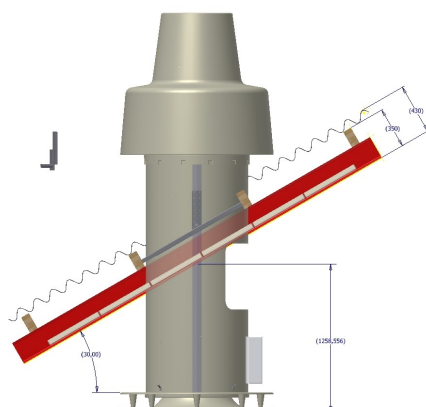
STANDARD:

TX 3100A unit
TX Electronic Control
Soft flashing sheet

OPTION:

Flashing frame for outside mounting
Extension Top (700 mm)
Extension Bottom (500 mm)
Adjustable brackets for the flashing frame (set)

Pitch 30°



STANDARD:

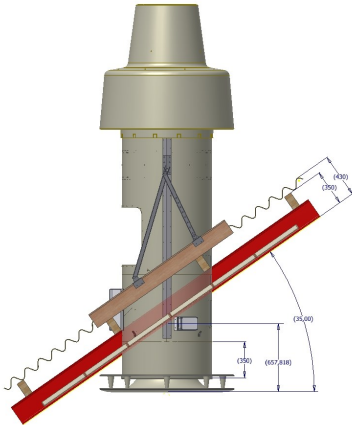
TX 3100A unit
TX Electronic Control
Soft flashing sheet

OPTION:

Flashing frame for outside mounting
Extension Top (700 mm)
Extension Bottom (500 mm)
Adjustable brackets for the flashing frame (set)

PROPOSAL FOR INSTALLATION

Pitch 35° (external service hatch)



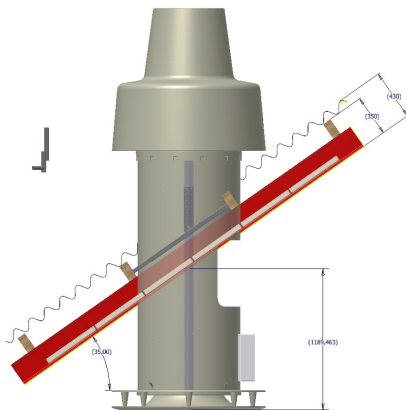
STANDARD:

TX 3100A unit
TX Electronic Control
Soft flashing sheet

OPTION:

Flashing frame for outside mounting
Extension Top (700 mm)
Extension Bottom (500 mm)
Adjustable brackets for the flashing frame (set)

Pitch 35° (internal service hatch)



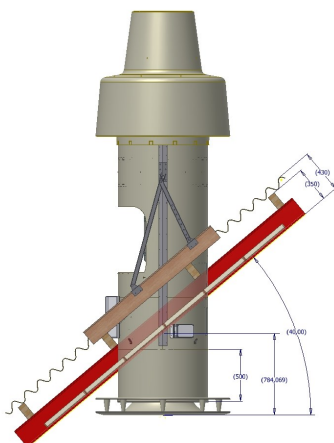
STANDARD:

TX 3100A unit
TX Electronic Control
Soft flashing sheet

OPTION:

Flashing frame for outside mounting
Extension Top (700 mm)
Extension Bottom (500 mm)
Adjustable brackets for the flashing frame (set)

Pitch 40°



STANDARD:

TX 3100A unit
TX Electronic Control
Soft flashing sheet

OPTION:

Flashing frame for outside mounting
Extension Top (700 mm)
Extension Bottom (500 mm)
Adjustable brackets for the flashing frame (set)

SMOKE TESTS

Kjeldbjergvejens Auto, DK-Skive

1. 0 minutter



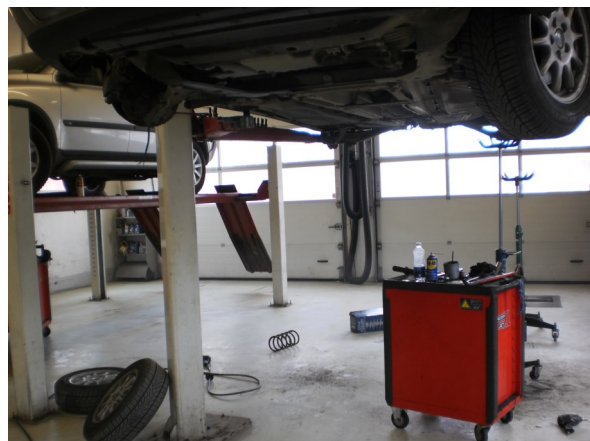
2. 4 minutter later



3. 8 minutter later



4. 12 minutter later



5. 16 minutter later



6. 20 minutter later



CONTROL / OPERATION

TX Electronic Control

With TX Electronic Control / display panel , there are many opportunities for individual setup parameters.

- Forced Mode
- Prolonged Mode
- Temperature Setpoints
- Keypad Lock in 4 levels
- Alarm menu
- Software stop
- Day Mode
- Night Mode
- Calendar
- Clock/day/date
- DST Off/on
- Language
- Standby
- PIR
- Technical Menu
- System Info
- others

Master / Slave

The master / slave function allows communication between a unit (master) and up to 5 additional units (slaves 1-5). The master controls the slaves so that all 6 units run in exactly the same way.

The slaves send information back to the master. Any error that might arise in a slave unit will be displayed on the master with an error message and specification of the defective unit. Consequently, all units must be numbered.

LON

LON (Local Operating Network) is a network where the intelligence is distributed to the devices connected to the system, and not concentrated in a control station as in a traditional network. Thousands of TX plants can be set up on the same network and the wiring can be several kilometers long. In order to use the LON network, install an additional small circuit board on the main board of each unit.

- 4 parameters can be written, 14 parameters can be read

MODbus / RS-485

MODbus is an industrial standard of serial communication for use in client/server communication between devices that can be connected through different networks. 247 TX units can be installed in the same MODbus network and cable length can be up to 500 meters, extended up to 1000 meters at low speed data communication. In order to use the MODbus network, install an additional circuit board on the main board of each plant.

MODbus m/converter and pc-software

MODbus is an industrial standard of serial communication for use in client/server communication between devices that can be connected through different networks. 200 TX units can be installed in the same MODbus network and cable length can be up to 500 meters, extended up to 1000 meters at low speed data communication. In order to use the MODbus network, install an additional circuit board on the main board of each plant.



Turbovex A/S
Industrivej 45
DK-9600 Aars

Tel. +45 96 98 14 62
info@turbovex.dk
www.turbovex.dk