

# TT-S1

## Ancillary board for TTC2000

Ancillary board intended to control an extra load when using the TTC2000 controller.

- Maximum 25 A load (appr. 17 kW)
- Easy installation and start-up

- Potential free relay output
- For control of auxiliary contactor

TT-S1 is an ancillary board intended to control an extra load connected to TTC2000. The board controls a contactor which activates or deactivates the heating load. For best function, the load connected to TT-S1 should be of equal size to the load connected to TTC2000 (triac).

### Function

On increasing heat demand, TTC2000 will primarily increase the triac-controlled output. When this reaches 100% the ancillary board will be activated and the triac output will be reduced to 0%. If there is a need for more heating, the triac-controlled output will be activated again.

### Easy to install and connect

TTC2000 is prepared to plug-in TT-S1. It detects if TT-S1 is installed and automatically adapts the control function accordingly. No adjustments are necessary. Carefully locate the board so that the connectors mate and the TT-S1 legs align with the mounting holes (see picture on the following page).

Connect the two terminals to the contactor that controls the basic heating load.

TTC2000 and TT-S1 must have separate, equal-sized loads.

N.B. The supply should be wired via the fan stat, the high temperature limit switch etc.

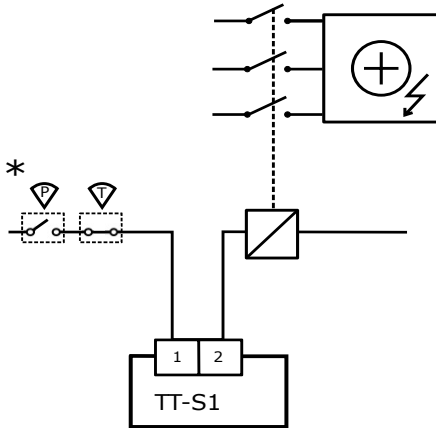
## Technical data

Supply voltage	Supplied by the connector (TTC2000)
Control signal	Supplied by the connector (TTC2000)
Output	Single pole closing relay, 5 A, 230 V AC (terminals 1 and 2) Controls load via contactor. Maximum load via contactor 25 A



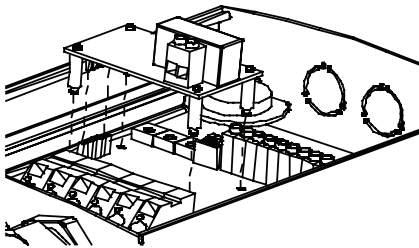
This product carries the CE-mark. More information is available at [www.regincontrols.com](http://www.regincontrols.com).

## Wiring



\* Connection example: The Ancillary board is connected in series with a pressure switch (P), an overheating protection (T), and a contactor of an electric heater.

## Installation



### Head Office Sweden

Phone: +46 31 720 02 00  
 Web: [www.regincontrols.com](http://www.regincontrols.com)  
 Mail: [info@regincontrols.com](mailto:info@regincontrols.com)