

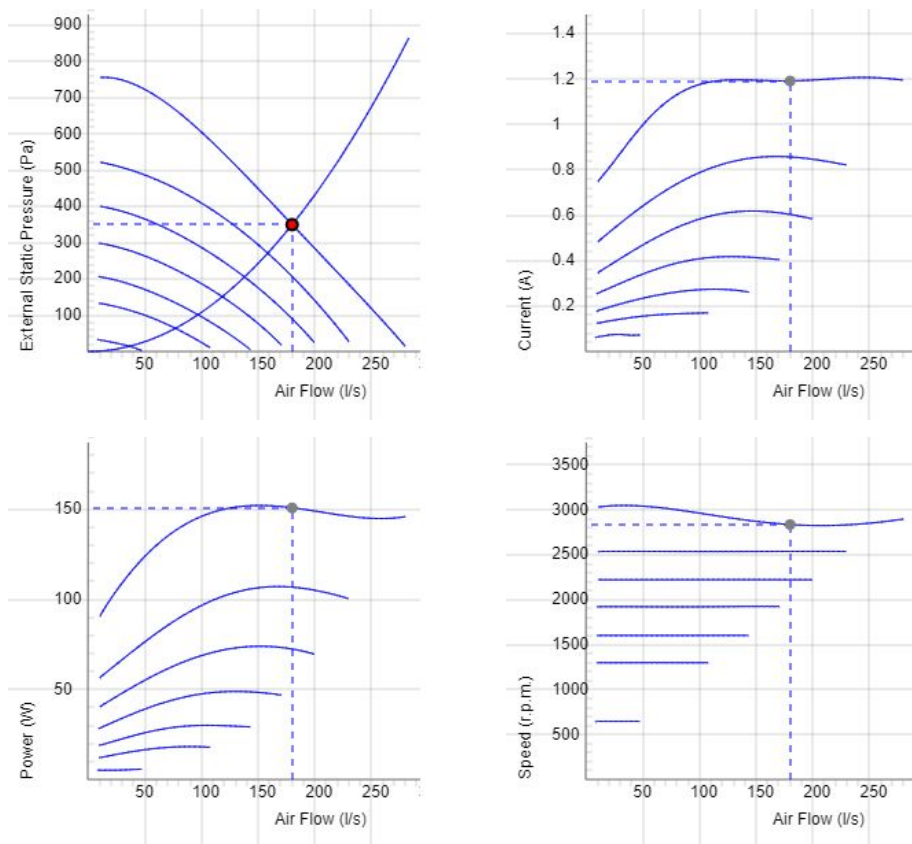
SAU 250 B3 EC



- An insulated supply air unit with circular connections.
- Designed to provide a comfortable indoor climate with controlled heating and filtered, clean air.
- The unit has an external control unit for operating and to preset the required temperature as well as monitor the unit's status.
- Low sound level, high operating reliability and provides clean indoor air.
- Comes with Modbus communication via RS485 as standard.
- Comes complete with filter, fan, duct sensor and electrical heater as standard.
- Airflow is generated by a silent radial fan with EC motor, impeller with backward curved blades.
- The fan house and impeller is easy to clean.
- Comes with filter ISO ePM1 50% as standard. The filter is very easy to change.
- Duct connections are equipped with rubber seals.
- The unit is constructed from galvanized steel sheet and insulated with an easy to clean 30 mm fiberglass.
- For placement in warm or cold areas.



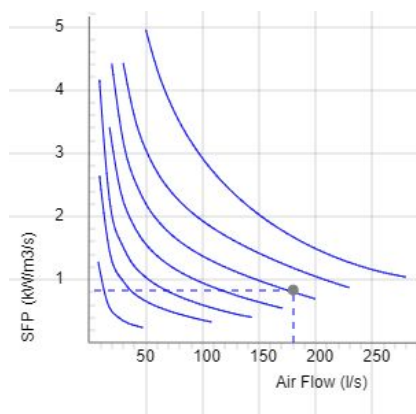
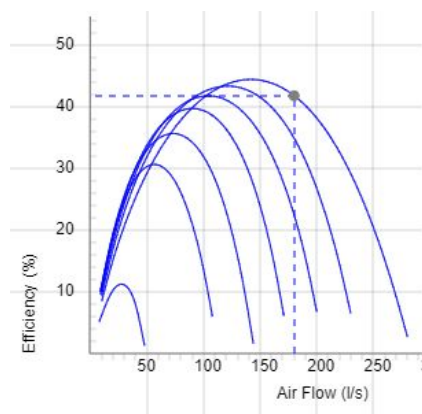
DIAGRAMS



Data

Air Flow (l/s) 180	External static pressure (Pa) 350	Power (W) 151	Speed (r.p.m.) 2837	Current (A) 1.19	Voltage (V) 10
-----------------------	--------------------------------------	------------------	------------------------	---------------------	-------------------

DIAGRAMS

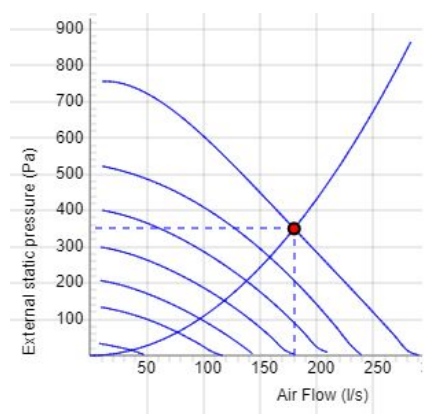


DATA

Efficiency (%)
41.8

SFP (kW/m³/s)
0.838

SOUND DATA



	Tot	63	125	250	500	1k	2k	4k	8k
Inlet Lw dB(A)	59	56	46	53	42	43	45	41	33
Outlet Lw dB(A)	71	57	53	68	61	62	62	58	49
Surrounding Lw dB(A)	49	39	34	46	41	35	33	31	29
Surrounding Lp dB (A) 20m ² Sabine, hemispherical 3m	42								

Data - SOUND

Air Flow (l/s) 180	External static pressure (Pa) 350	Power (W) 151	Speed (r.p.m.) 2837	Current (A) 1.19	Efficiency (%) 41.8	SFP (kW/m ³ /s) 0.838	Voltage (V) 10
-----------------------	-----------------------------------------	------------------	------------------------	---------------------	------------------------	-------------------------------------	-------------------

TECHNICAL DATA

SAU 250 B3 EC-y1 8000072

Parameter	Value	Unit
Voltage	400	V
Phase	3	~
Frequency	50/60	Hz
Power	5160	W
Power, fans	152	W
Power, heater	5000	W
Current	13.7	A
Current, fans	1.19	A
Current, heater	12.5	A
Speed	2880	r.p.m.
Max. temperature of transported air	60	°C
Sound pressure level at 3 m	42	dB(A)
Weight	36.1	kg
Enclosure class	44	IP
Insulation class, motor	F	
Capacitor	-	μF
Duct connection	250	mm
Max. flow @ 0Pa	283	l/s
Max. pressure	757	Pa
Voltage range	380-415	V

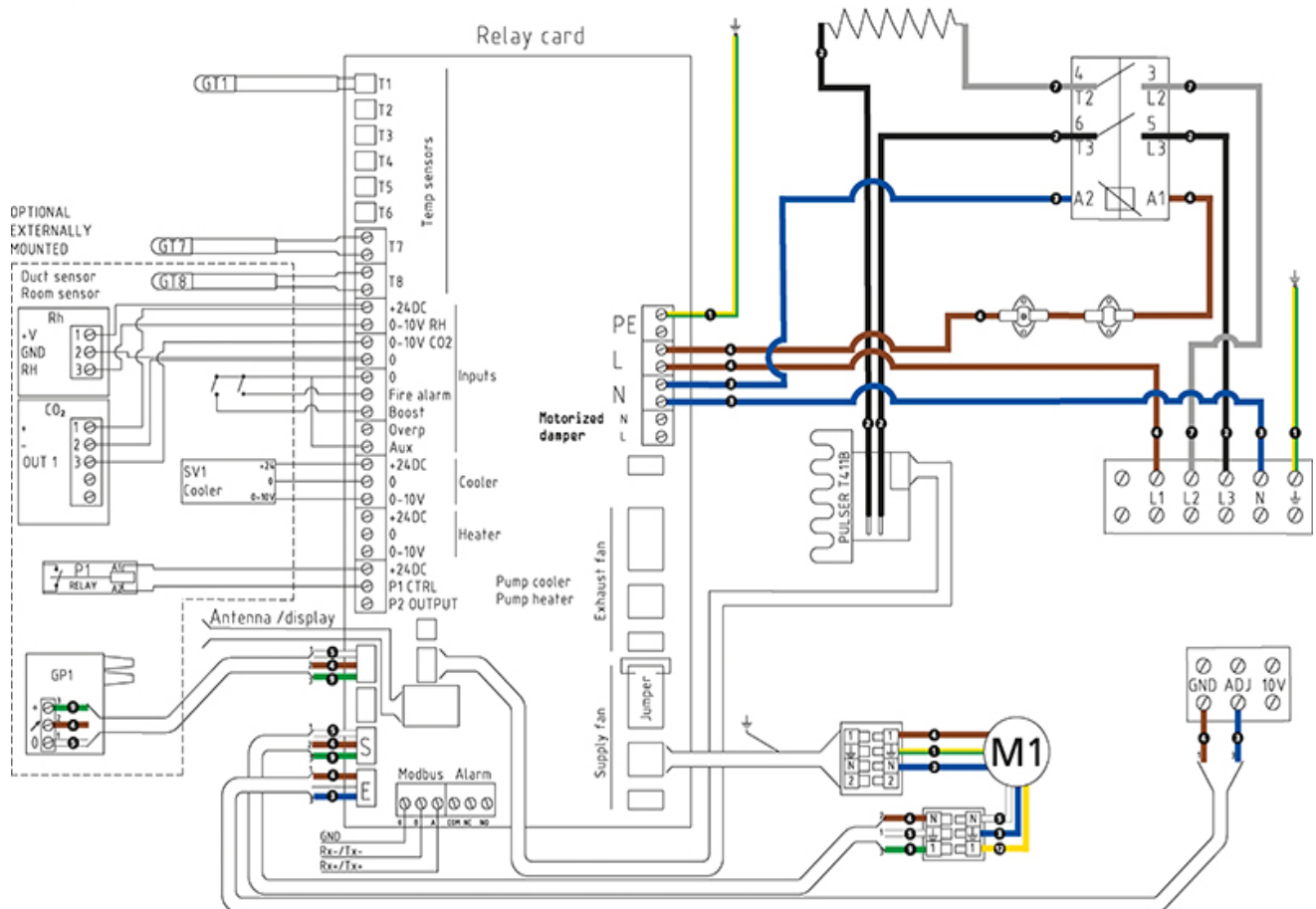
PRODUCT INFORMATION SHEET

Parameter	Value	Unit
(a) Manufacturer	Östberg	-
(b) Model code	SAU 250 B3 EC	-
(c) SEC average climate	-26.9	kWh/m ²
SEC average climate, class	B	-
SEC warm climate	-11.4	kWh/m ²
SEC warm climate, class	E	-
SEC cold climate	-54	kWh/m ²
SEC cold climate, class	A+	-
(d) Declared type	RVU / UVU	-
(e) Type of drive	Variable speed drive	-
(f) Type of heat recovery	N/A	-
(g) Thermal efficiency	N/A	%
(h) Max. flow rate (@100Pa)	920	m ³ /h
(i) Power at max. flow rate	145	W
(j) Sound power level	47	dB LwA
(k) Reference flow rate	0.192	m ³ /s
(l) Reference pressure difference	50	Pa
(m) SPI	0.10	W/(m ³ /h)
(n) Type of control/ctrl factor	Local demand control(accessory)/0.65	-
(o) External (and internal) leakage rate	1.76 (N/A)	%
(p) Mixing rate	N/A	-
(q) Visual filter warning	N/A	-
(r) Instruction supply/exhaust grilles	See manual	-
(s) Disassembly instructions	fsp.ostberg.com	-
(t) Airflow sensitivity	N/A	-
(u) Air tightness	N/A	m/s
(v) AEC	54	kWh

Parameter	Value	Unit
(w) AHS average	2830	kWh
AHS warmer	1280	kWh
AHS colder	5536	kWh

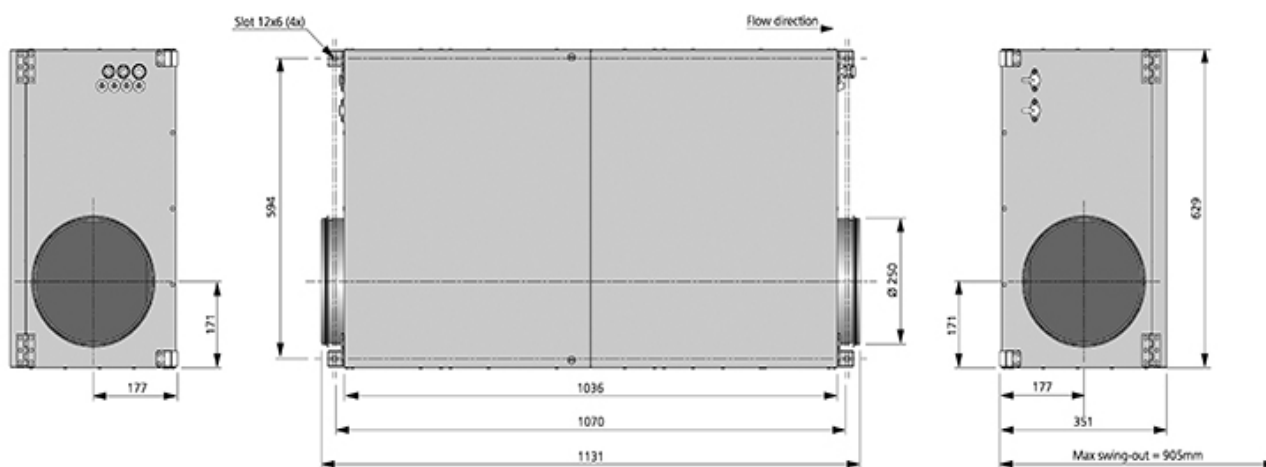
WIRING DIAGRAM

4040216



- Ⓜ = Fan Motor
- Ⓜ1 = Fan Motor
- Ⓜ2 = Fan Motor
- Ⓜ3 = Rotor Motor
- ① = Yellow/Green
- ② = Black
- ③ = Blue
- ④ = Brown
- ⑤ = White
- ⑥ = Orange
- ⑦ = Grey
- ⑧ = Red
- ⑨ = Green
- ⑩ = Violet
- ⑪ = Quick switch
- ⑫ = Yellow

DIMENSIONS



ACCESSORIES

Mechanical accessories



Filter SAU 250 EC



Mounting clamp MK
250



Safety grille BSV 250



Back draught shutter
RSK 250



Louvre shutter VK
250



Louvre YG 250



Silencer LDC 250

Electrical accessories



Control unit



Connection cable,
control unit



Constant pressure
sensor Kit SAU EC



Room sensor



Carbon dioxide
sensor CO₂



Humidity/temperature
sensor



Damper motor