

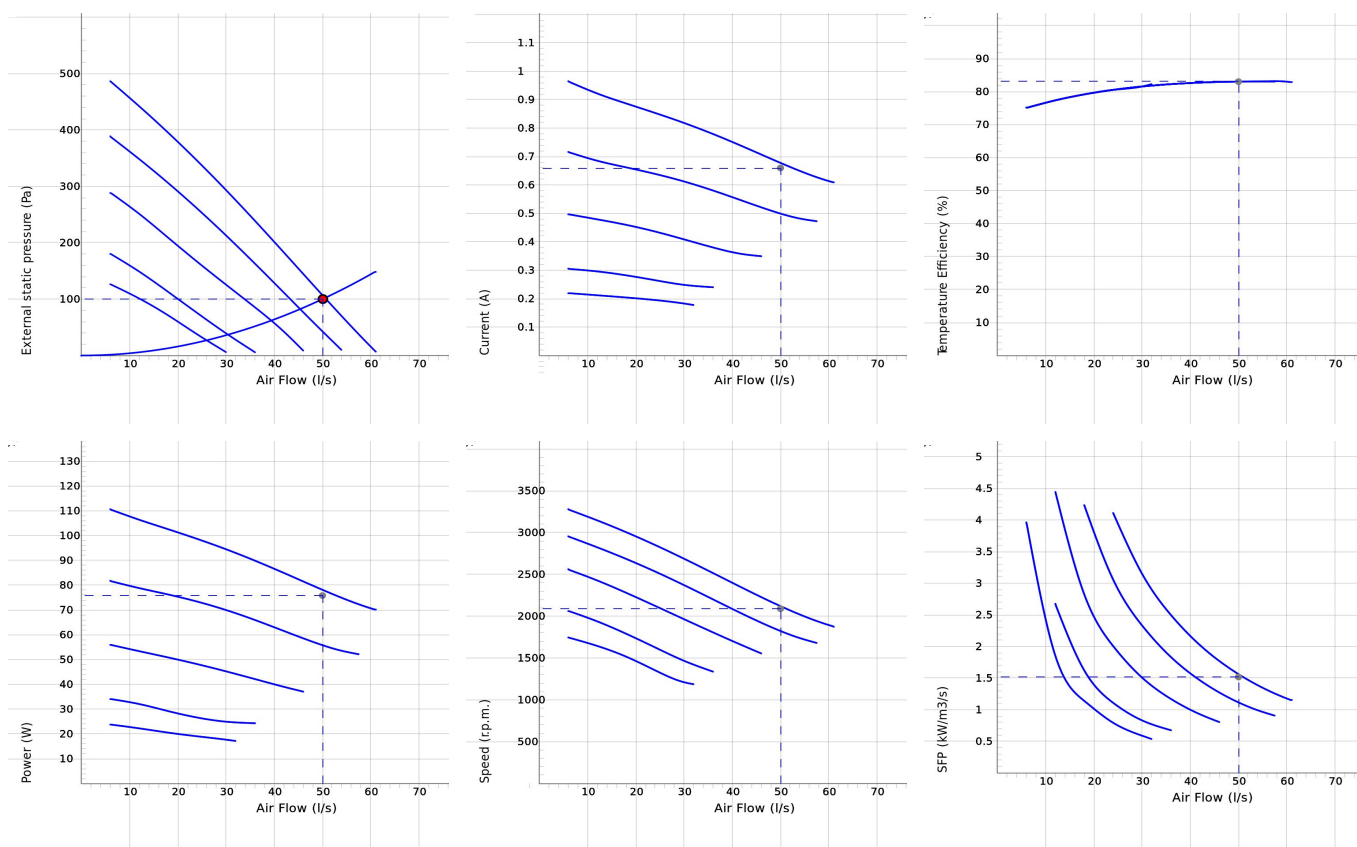
HERU 50 LP EC



- Energy recovery unit with low profile and side connections. Ideal for mounting in small spaces such as in the ceiling.
- Designed for supply and exhaust air ventilation with energy recovery.
- Suitable for installation in homes, offices and other premises where there are stringent requirements on the indoor environment.
- High temperature efficiency 82%, low energy consumption (SFP), low sound level, high operating reliability and provides clean indoor air.
- Unique design minimizes all thermal bridges.
- For easy handling, the unit is remote controlled using the wireless control unit for operation and monitoring.
- Comes prepared for Modbus communication via RS485 (accessory needed).
- Airflow is generated by two silent radial fans with EC motors and impellers with forward curved blades.
- The fans are connected with quick connectors and are very easy to remove for cleaning.
- A regenerative, non-hygroscopic, aluminum rotating heat exchanger located in the center of the unit. The heat exchanger can also be removed for cleaning.
- Comes with panel filter ISO ePM1 50% as standard, for both exhaust and supply air. The filter is very easy to change.
- Integrated controls for heating/cooling.
- Available with or without integrated electric heater.
- The unit is constructed of double-layer galvanized steel sheet with insulation in between.
- For placement in warm areas.
- Available in either right-hand or left-hand design.

NOTE! The warranty of The HERU is only valid if accessories/equipment (e.g. filters) from H. Östberg AB are used.

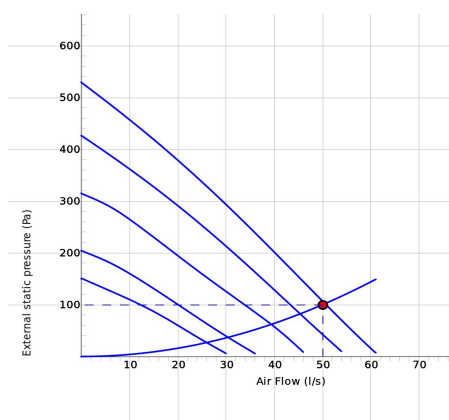
DIAGRAMS



Work Point

Air Flow (l/s)	External static pressure (Pa)	Power (W)	Speed (r.p.m.)	Current (A)	Efficiency (%)	SFP (kW/m ³ /s)	Voltage (V)
50	100	75.8	2090	0.66	83	1.52	9.8

SOUND DATA



	Tot	63	125	250	500	1k	2k	4k	8k
Supply Lw dB(A)	69	56	58	62	63	62	60	56	53
Extract Lw dB(A)	69	56	57	61	61	63	61	57	54
Surrounding Lw dB(A)	47	34	42	43	38	30	27	29	28
Surrounding Lp dB (A) 3m	40								

Work Point

Air Flow (l/s) 50	External static pressure (Pa) 100	Power (W) 75.8	Speed (r.p.m.) 2090	Current (A) 0.66	Efficiency (%) 83	SFP (kW/m3/s) 1.52	Voltage (V) 9.8
----------------------	--------------------------------------	-------------------	------------------------	---------------------	----------------------	-----------------------	--------------------

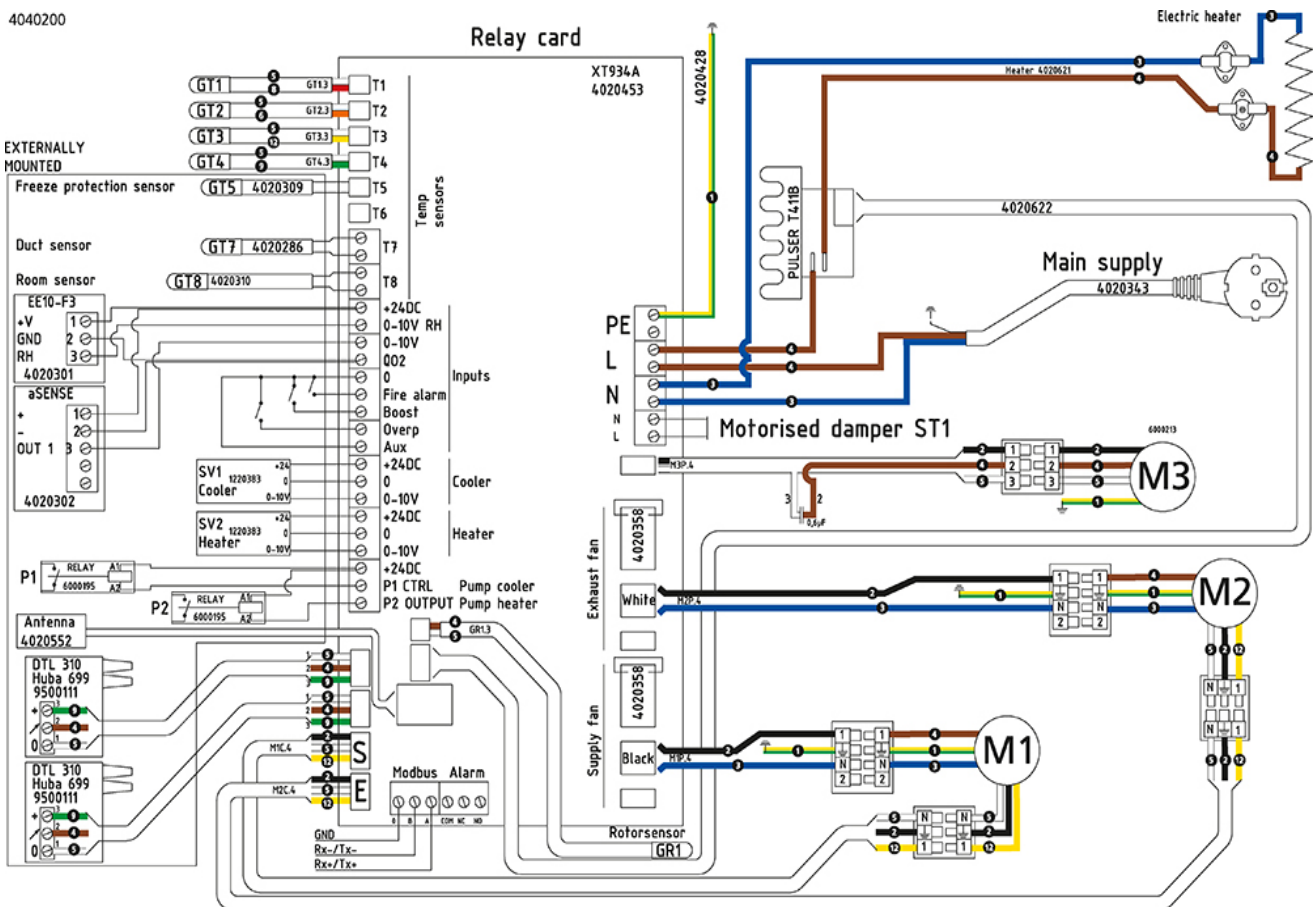
TECHNICAL DATA

Parameter	HERU 50 LP EC AR 8010744		HERU 50 LP EC AL 8010745	
	Value	Unit	Value	Unit
Voltage	230	V	230	V
Phase	1	~	1	~
Frequency	50	Hz	50	Hz
Power	1040	W	1040	W
Power, fans	115	W	115	W
Power, heater	900	W	900	W
Current	5	A	5	A
Current, fans	1.02	A	1.02	A
Current, heater	3.91	A	3.91	A
Speed	3400	r.p.m.	3400	r.p.m.
Sound pressure level at 3 m	41	dB(A)	41	dB(A)
Weight	46	kg	46	kg
Enclosure class	41	IP	41	IP
Duct connection	125	mm	125	mm
Max. flow	62	l/s	62	l/s
Max. pressure	529	Pa	529	Pa
Voltage range	220-240	V	220-240	V

ECODESIGN

Parameter	Value	Unit
(a) Manufacturer	Östberg	-
(b) Model code	HERU 50 LP EC	-
(c) SEC value	-38.86	kWh/m ²
SEC class	A	-
(d) Declared type	RVU / BVU	-
(e) Type of drive	Variable speed drive	-
(f) Type of heat recovery	Regenerative	-
(g) Thermal efficiency	82	%
(h) Max. flow rate (@100Pa)	183	m ³ /h
(i) Power at max. flow rate	78	W
(j) Sound power level	44	dB LwA
(k) Reference flow rate	0.041	m ³ /s
(l) Reference pressure difference	50	Pa
(m) SPI	0.45	W/(m ³ /h)
(n) Type of control/ctrl factor	Local demand control/0.65	-
(o) External (and internal) leakage rate	4.22 (N/A)	%
(p) Mixing rate	N/A	-
(q) Visual filter warning	In remote control	-
(r) Instruction supply/exhaust grilles	See manual	-
(s) Disassembly instructions	www.ostberg.com	-
(t) Airflow sensitivity	N/A	-
(u) Air tightness	N/A	m/s
(v) AEC	284	kWh
(w) AHS average	4562	kWh
AHS warmer	2063	kWh
AHS colder	8924	kWh

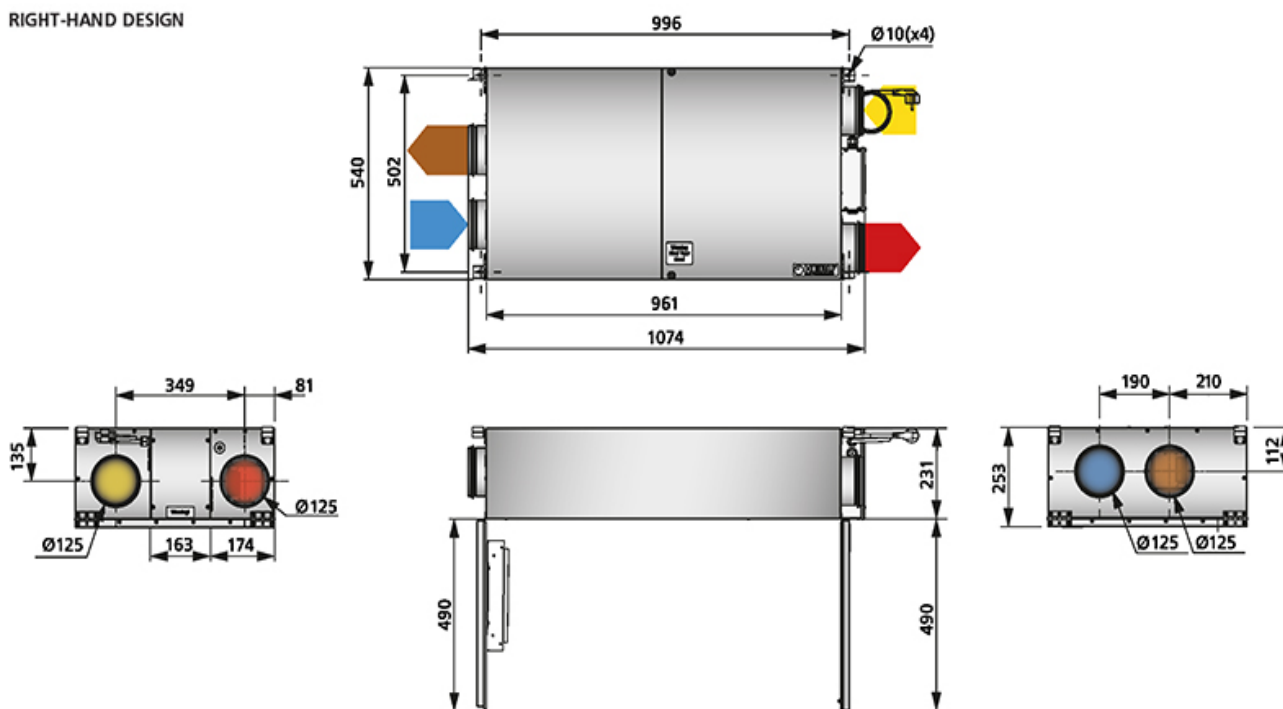
WIRING DIAGRAM



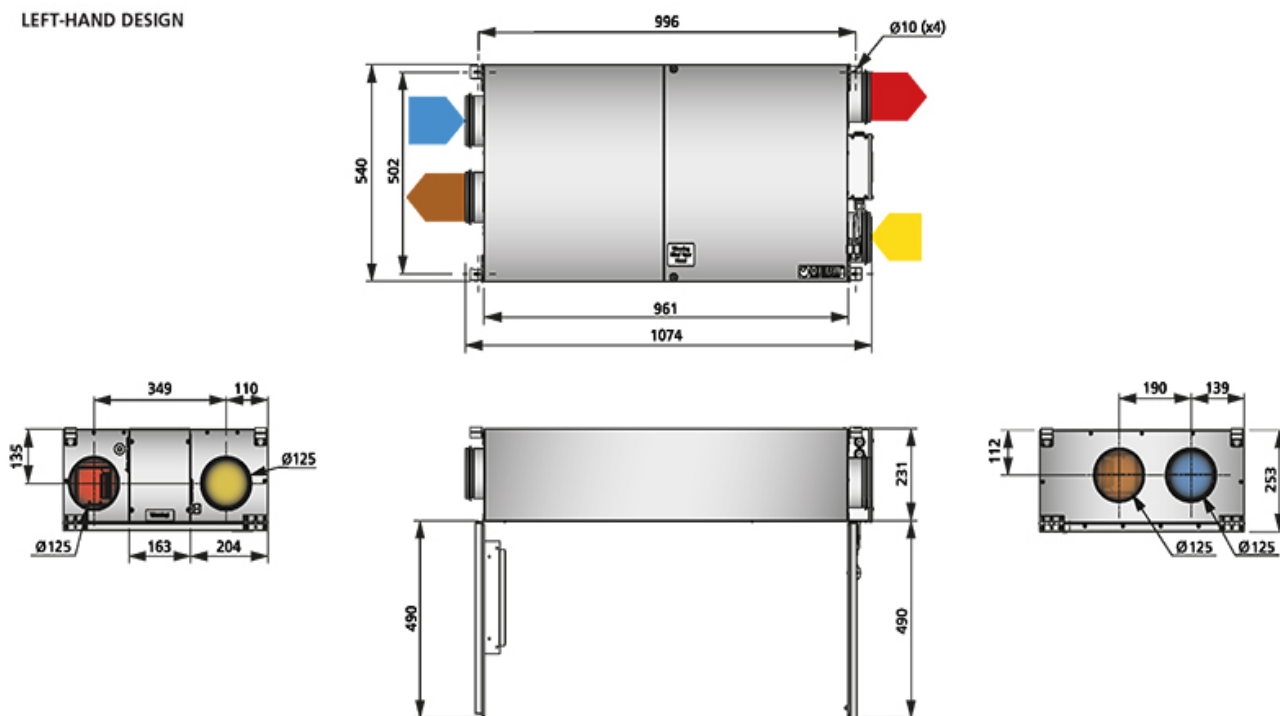
- Ⓜ = Fan Motor
- Ⓜ1 = Fan Motor
- Ⓜ2 = Fan Motor
- Ⓜ3 = Rotor Motor
- ① = Yellow/Green
- ② = Black
- ③ = Blue
- ④ = Brown
- ⑤ = White
- ⑥ = Orange
- ⑦ = Grey
- ⑧ = Red
- ⑨ = Green
- ⑩ = Violet
- ⑪ = Quick switch
- ⑫ = Yellow

DIMENSIONS

RIGHT-HAND DESIGN



LEFT-HAND DESIGN



ENGLISH

- Supply air
- Extract air
- Exhaust air
- Fresh air

SVENSKA

- Tilluft
- Frånluft
- Avluft
- Uteluft

DEUTSCH

- Zuluft
- Abluft
- Fortluft
- Frischluft

SUOMI

- Tuloilma
- Poistoilma
- Jäteilma
- Ulkoilma

ITALIANO

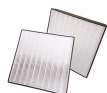
- Aria di immissione
- Aria di estrazione
- Sfiato
- Aria esterna

POLSKI

- Powietrze nawiew
- Powietrze wywiew
- Powietrze usuwane
- Powietrze z zewnątrz

ACCESSORIES

Mechanical accessories



Filter Kit HERU 50/90 LP



Silencer LDC 125



Outside wall hood 160

Electrical accessories



Remote control with Modbus



Control board



Extension cable, antenna



Heater Kit Water, HERU 62/70/90/95/100T, 50/90LP



Humidity/temperature sensor



Carbon dioxide sensor CO2



Room sensor



Freeze protection sensor



Duct sensor



Pressure Sensor Kit



Damper motor



Relay pump control