

# NON INSULATED WALL FAN WITH CIRCULAR CONNECTIONS

## KVFU 315 D1 EC

7100279

- Wall fan with circular inlet connection.
- KV has a square mounting plate.
- Proven performance and reliability.
- Compact with high capacity and efficiency.
- Suitable for a wide variety of applications.
- Impeller with backward curved blades.
- The external rotor motor has maintenance-free sealed ball-bearings.
- Integrated motor protection.
- Junction box has enclosure class IP 54.
- Speed controlling can be done with the built-in potentiometer, 0-10 V alt. external control.
- Fan housing is manufactured from galvanized sheet steel.
- The fan is intended to be installed in a duct system, mounted on the inside wall.
- Easy installation in any position.
- Can be used in damp environments.



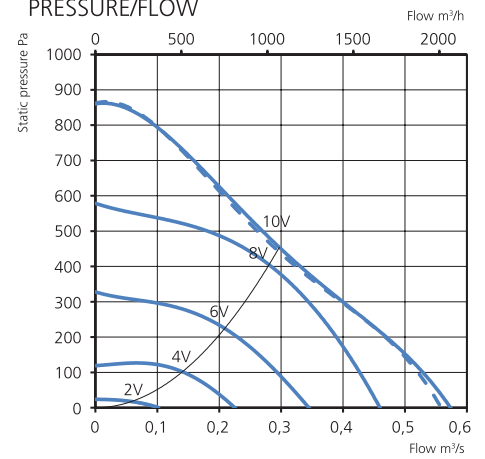
### ACCESSORIES

- Mounting clamp MK 315
- Safety grille BSV 315
- Safety grille BSR 315
- Back draught shutter RSK 315
- Louvre shutter VK 400
- Silencer LDC 315
- Speed controller MS EC
- Controller IQ-Reg EC
- Plejd Controller
- Pressure regulator CALAIR-PR-230V
- Pressure regulator FKP-R

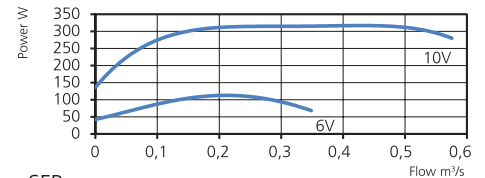
### TECHNICAL DATA

<b>Voltage</b>	230 V
<b>Frequency</b>	50/60 Hz
<b>Phase</b>	1 ~
<b>Current</b>	2.50 A
<b>Power</b>	315 W
<b>Speed</b>	2830 r.p.m.
<b>Max. temp of transported air</b>	60 °C
<b>Sound pressure level, 3 m</b>	51 dB(A)
<b>Weight</b>	7.2 kg
<b>Enclosure class</b>	44 IP
<b>Wiring diagram</b>	4040153

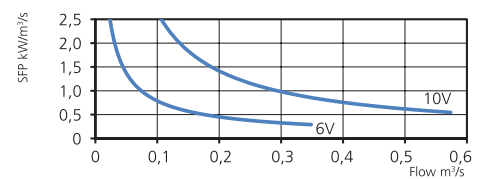
### PRESSURE/FLOW



### POWER/FLOW



### SFP



### SOUND DATA

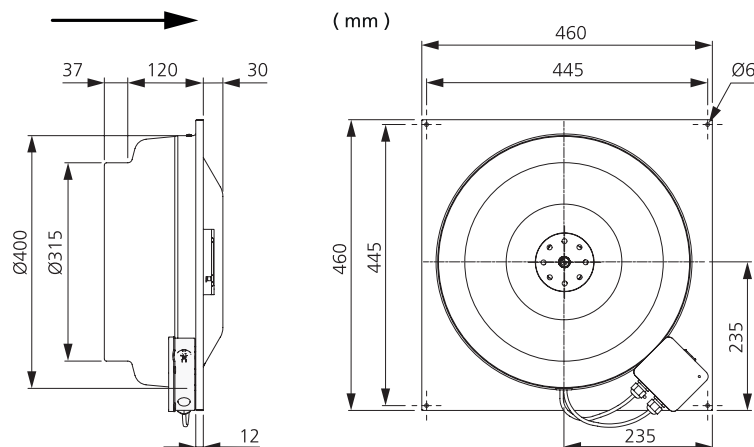
	$L_{wa}$ tot dB (A)	63	125	250	500	1K	2K	4K	8K
<b>Surrounding 10 V</b>	58	30	39	45	49	51	55	47	36
<b>Outlet 10 V</b>	77	42	50	60	69	71	73	66	61
<b>Inlet 10 V</b>	74	57	63	65	66	66	68	65	63
<b>Inlet 8 V</b>	72	55	61	63	65	64	65	63	61
<b>Inlet 6 V</b>	65	50	56	58	57	58	59	56	52
<b>Inlet 4 V</b>	56	42	47	50	49	49	48	47	33
<b>Inlet 2 V</b>	40	29	34	35	32	30	23	32	18

### MORE INFORMATION



Find out the latest updated information about this product by visiting [www.ostberg.com](http://www.ostberg.com) or scanning this QR code.

### DIMENSIONS



--- Without duct