

NON INSULATED WALL FAN WITH CIRCULAR CONNECTIONS

KVFU 125 C1 EC

7100264

- Wall fan with circular inlet connection.
- KV has a square mounting plate.
- Proven performance and reliability.
- Compact with high capacity and efficiency.
- Suitable for a wide variety of applications.
- Impeller with backward curved blades.
- The external rotor motor has maintenance-free sealed ball-bearings.
- Integrated motor protection.
- Junction box has enclosure class IP 54.
- Speed controlling can be done with the built-in potentiometer, 0-10 V alt. external control.
- Fan housing is manufactured from galvanized sheet steel.
- The fan is intended to be installed in a duct system, mounted on the inside wall.
- Easy installation in any position.
- Can be used in damp environments.



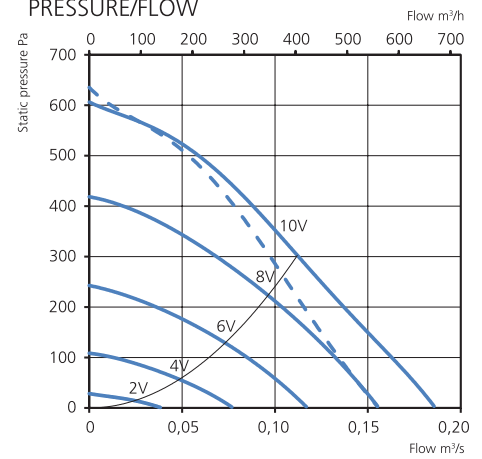
ACCESSORIES

- Mounting clamp MK 125
- Safety grille BSV 125
- Safety grille BSR 250
- Back draught shutter RSK 125
- Louvre YG 250
- Louvre shutter VK 250
- Silencer LDC 125
- Speed controller MS EC
- Controller IQ-Reg EC
- Plejd Controller
- Pressure regulator CALAIR-PR-230V
- Pressure regulator FKP-R

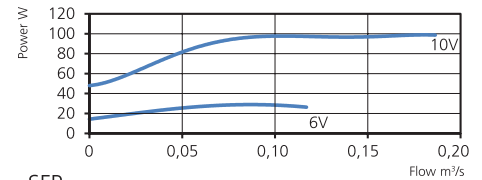
TECHNICAL DATA

Voltage	230 V
Frequency	50/60 Hz
Phase	1 ~
Current	0.82 A
Power	98 W
Speed	3530 r.p.m.
Max. temp of transported air	60 °C
Sound pressure level, 3 m	47 dB(A)
Weight	2.7 kg
Enclosure class	44 IP
Wiring diagram	4040153

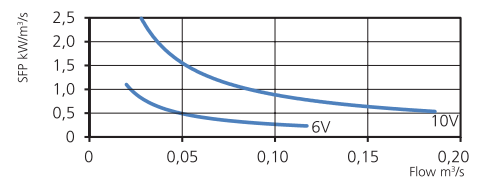
PRESSURE/FLOW



POWER/FLOW



SFP



SOUND DATA

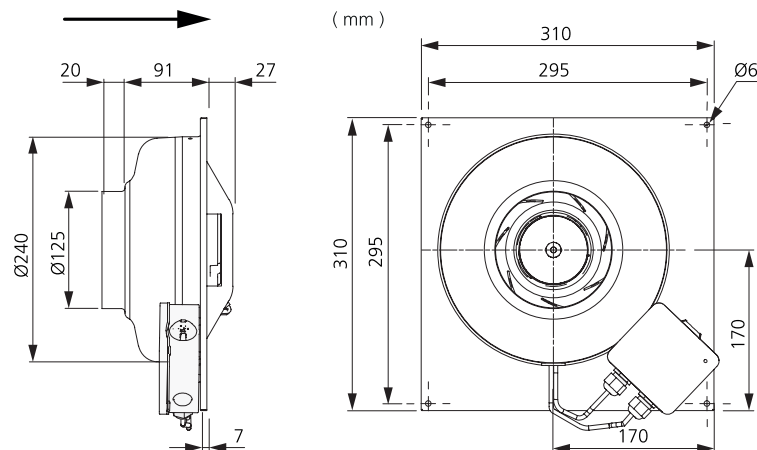
	L_{wa} tot dB (A)	63	125	250	500	1K	2K	4K	8K
Surrounding 10 V	54	30	39	43	47	49	49	44	34
Outlet 10 V	79	41	48	57	68	75	74	68	58
Inlet 10 V	77	54	61	71	73	68	68	67	58
Inlet 8 V	74	52	60	69	69	64	64	63	53
Inlet 6 V	68	48	54	66	61	56	56	54	40
Inlet 4 V	57	44	45	55	51	45	44	38	22
Inlet 2 V	41	28	31	39	33	24	18	15	7

MORE INFORMATION



Find out the latest updated information about this product by visiting www.ostberg.com or scanning this QR code.

DIMENSIONS



--- Without duct