

# INSULATED DUCT FANS WITH CIRCULAR CONNECTIONS

## CAU 125+3x100 A AC



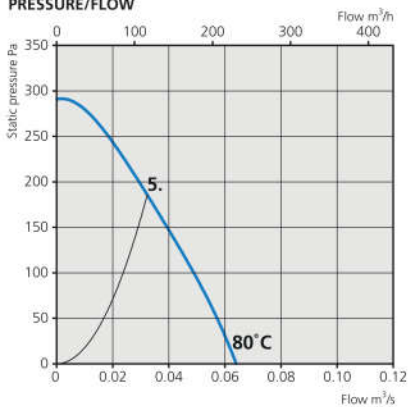
- Insulated duct fan with circular connections.
- Equipped with insulation on bottom and inlet side.
- Features 3 inlets and 1 outlet which makes it a highly flexible duct fan suitable for many applications.
- The power consumption at highest total efficiency is below 125W and is not subject to the ErP directive.
- Impeller with forward curved blades.
- The external rotor motor has maintenance-free sealed ball-bearings.
- Integrated approved thermal motor protection.
- Motor has insulation class F.
- Enclosure class of the fan is IP 44.

- Junction box has enclosure class IP 54.
- For speed control a transformer or electronic speed controller can be connected.
- The housing is manufactured from galvanized sheet steel.
- Swing-out design to simplify the maintenance and cleaning.
- Duct connections are equipped with rubber seals.
- The fan is intended to be installed in a duct system.
- Suitable for applications where there are no requirements for condensation separation.

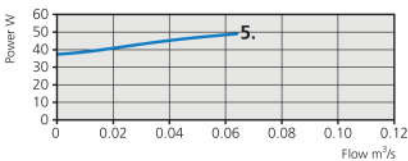
### ACCESSORIES

- Mounting clamp, MK 125/100, simplifies the connection to duct and absorbs vibrations
- Safety grill, BSV/BSR 125/100
- Backdraught shutters, RSK 125/100
- Louvre shutters, VK 10
- Silencer, LDC 125/100
- Transformer VRDE 1.5, VRTE C
- Electronic speed controller, VRS 0.5

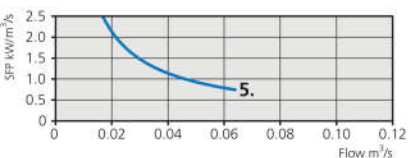
### PRESSURE/FLOW



### POWER/FLOW



### SFP



### TRANSFORMER STEPS

1. 80V 2. 110V 3. 135V 4. 165V 5. 230V

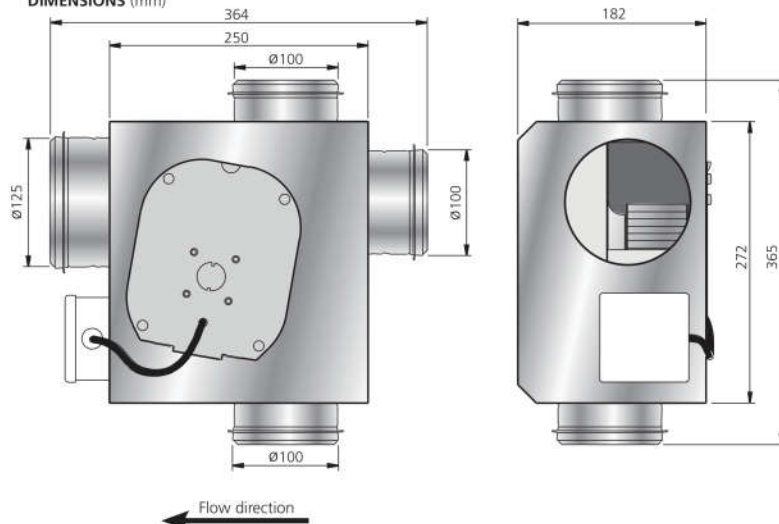
### TECHNICAL DATA

CAU 125+3x100 A AC	Art.no. 7540015
Voltage	230/50 V/Hz
Voltage range	220-240/50 V/Hz
Phase	1 ~
Current	0.21 A
Power	48 W
Speed	1050 rpm
Capacitor	4 µF
Max. temperature of transported air	80 C°
Max. temperature of transported air when speed controlled	80 C°
Sound pressure level at 3 m	39 dB(A)
Weight	4.7 kg
Wiring diagram	4040002

### SOUND DATA

	L <sub>PA</sub>	L <sub>WA</sub> tot dB (A)	63	125	250	500	1K	2K	4K	8K
5. Surrounding 230V	39	46	32	34	37	36	43	36	32	30
5. Outlet 230V		64	48	56	57	57	59	55	48	40
5. Inlet 230V		55	44	45	50	50	40	37	33	21

### DIMENSIONS (mm)



# INSULATED DUCT FANS WITH CIRCULAR CONNECTIONS

## CAU 125+3x100 B AC



### ACCESSORIES

- Mounting clamp, MK 125/100, simplifies the connection to duct and absorb vibrations
- Safety grill, BSV/BSR 125/100
- Backdraught shutters, RSK 125/100
- Louvre shutters, VK 10
- Silencer, LDC 125/100
- Transformer VRDE 1.5, VRTE C
- Electronic speed controller, VRS 0.5

- Insulated duct fan with circular connections.
- Equipped with insulation on bottom and inlet side.
- Features 3 inlets and 1 outlet which makes it a highly flexible duct fan suitable for many applications.
- The power consumption at highest total efficiency is below 125W and is not subject to the ErP directive.
- Impeller with forward curved blades.
- The external rotor motor has maintenance-free sealed ball-bearings.
- Integrated approved thermal motor protection.
- Motor has insulation class F.
- Enclosure class of the fan is IP 44.

- Junction box has enclosure class IP 54.
- For speed control a transformer or electronic speed controller can be connected.
- The housing is manufactured from galvanized sheet steel.
- Duct connections are equipped with rubber seals.
- Swing-out design to simplify the maintenance and cleaning.
- The fan is intended to be installed in a duct system.
- Suitable for applications where there are no requirements for condensation separation.

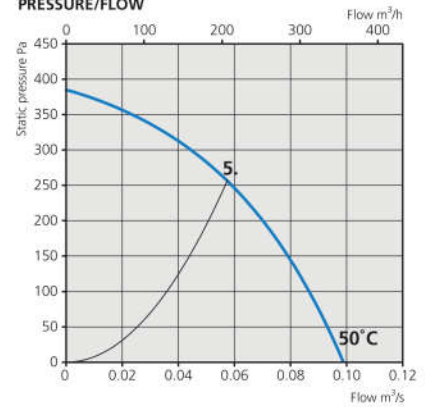
### TECHNICAL DATA

CAU 125+3x100 B AC	Art.no. 7540016
Voltage	230/50 V/Hz
Voltage range	220-240/50 V/Hz
Phase	1 ~
Current	0.45 A
Power	104 W
Speed	1500 rpm
Capacitor	2 µF
Max. temperature of transported air	50 C°
Max. temperature of transported air when speed controlled	50 C°
Sound pressure level at 3 m	43 dB(A)
Weight	4.7 kg
Wiring diagram	4040001

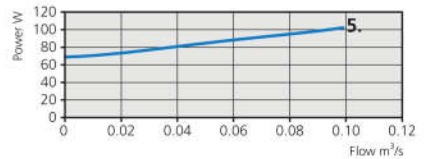
### SOUND DATA

	L <sub>PA</sub>	L <sub>WA</sub> tot dB (A)	63	125	250	500	1K	2K	4K	8K
5. Surrounding 230V	43	50	34	37	41	41	45	41	39	34
5. Outlet 230V		68	49	58	60	61	63	62	54	47
5. Inlet 230V		58	45	47	54	53	44	42	39	29

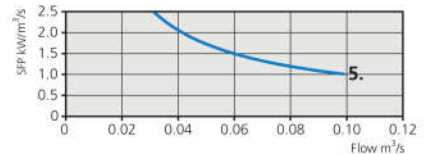
### PRESSURE/FLOW



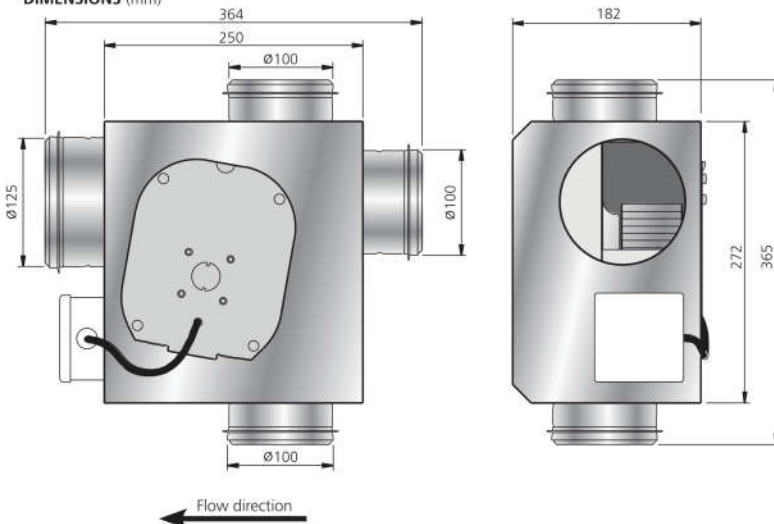
### POWER/FLOW



### SFP



### DIMENSIONS (mm)



### TRANSFORMER STEPS

1. 80V
2. 110V
3. 135V
4. 165V
5. 230V

# INSULATED DUCT FANS WITH CIRCULAR CONNECTIONS

## CAU 125+3x100 C AC



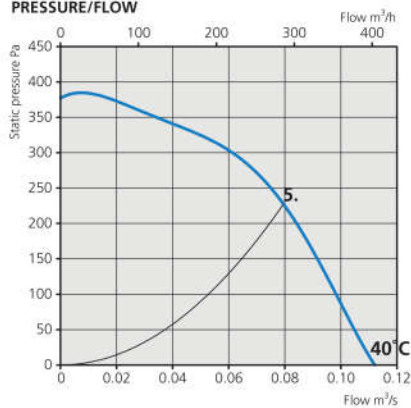
- Insulated duct fan with circular connections.
- Equipped with insulation on bottom and inlet side.
- Features 3 inlets and 1 outlet which makes it a highly flexible duct fan suitable for many applications.
- The power consumption at highest total efficiency is below 125W and is not subject to the ErP directive.
- Impeller with forward curved blades.
- The external rotor motor has maintenance-free sealed ball-bearings.
- Integrated approved thermal motor protection.
- Motor has insulation class F.
- Enclosure class of the fan is IP 44.

- Junction box has enclosure class IP 54.
- For speed control a transformer or electronic speed controller can be connected.
- The housing is manufactured from galvanized sheet steel.
- Duct connections are equipped with rubber seals.
- Swing-out design to simplify the maintenance and cleaning.
- The fan is intended to be installed in a duct system.
- Suitable for applications where there are no requirements for condensation separation.

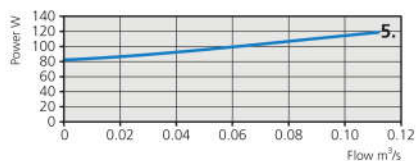
### ACCESSORIES

- Mounting clamp, MK 125/100, simplifies the connection to duct and absorbs vibrations
- Safety grill, BSV/BSR 125/100
- Backdraught shutters, RSK 125/100
- Louvre shutters, VK 10
- Silencer, LDC 125/100
- Transformer VRDE 1.5, VRTE C
- Electronic speed controller, VRS 0.5

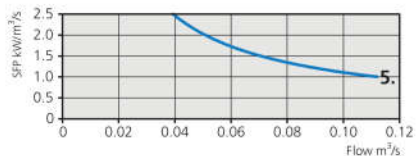
### PRESSURE/FLOW



### POWER/FLOW



### SFP



### TRANSFORMER STEPS

1. 80V 2. 110V 3. 135V 4. 165V 5. 230V

### TECHNICAL DATA

CAU 125+3x100 C AC	Art.no. 7540017
Voltage	230/50 V/Hz
Voltage range	220-240/50 V/Hz
Phase	1 ~
Current	0.53 A
Power	120 W
Speed	1750 rpm
Capacitor	4 µF
Max. temperature of transported air	40 C°
Max. temperature of transported air when speed controlled	40 C°
Sound pressure level at 3 m	41 dB(A)
Weight	5.0 kg
Wiring diagram	4040001

### SOUND DATA

	L <sub>PA</sub>	L <sub>WA</sub> tot dB (A)	63	125	250	500	1K	2K	4K	8K
5. Surrounding 230V	41	48	34	36	41	40	42	40	37	32
5. Outlet 230V		72	55	62	64	64	66	65	57	51
5. Inlet 230V		60	47	48	56	55	45	42	38	32

### DIMENSIONS (mm)

