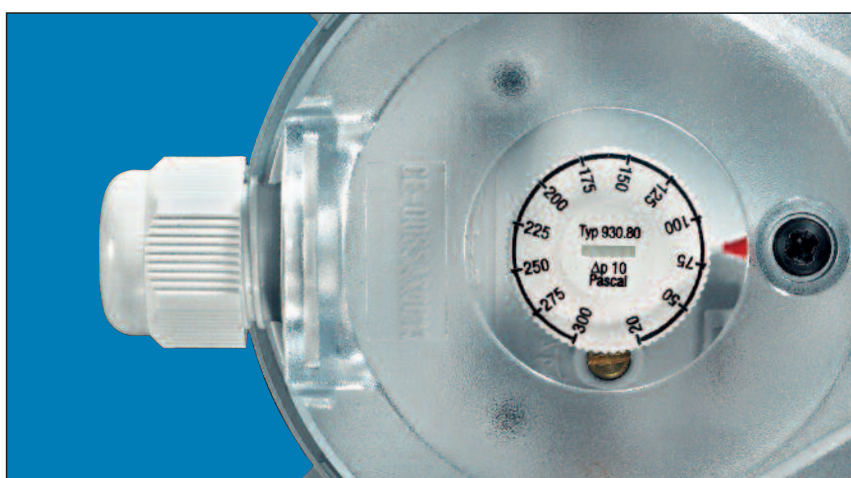


# Beck.

## The adjustable differential pressure switches.



# Differential pressure switch 930.8x Climair®

with adjustable switching pressure



## Applications

Adjustable differential pressure switch for monitoring overpressure, vacuum and differential pressure of air or other non-combustible, non-aggressive gases. Possible fields of application include:

- Monitoring air filters and ventilators
- Monitoring industrial cooling-air circuits
- Overheating protection for fan heaters
- Monitoring flows in ventilation ducts
- Controlling air and fire-protection flaps
- Frost protection for heat exchangers

## Versions

With this pressure switch the switching pressure can be adjusted without a pressure gauge using a scaled adjustment knob. The switching differential can also be adjusted with a screwdriver.

Type	Adjustment range for upper switching pressure from to	Switching differential set to	Tolerance for upper and lower switching pressure
930.80	20 300 Pa	10 Pa	± 15%
930.84	30 400 Pa	15 Pa	± 15%
930.83	50 500 Pa	20 Pa	± 15%
930.85	200 1000 Pa	100 Pa	± 15%
930.86	500 2500 Pa	150 Pa	± 15%
930.87	1000 5000 Pa	250 Pa	± 15%

Switching pressure specifications apply to vertical installation which is also the recommended position with pressure-pipe connections pointing downwards. If the switches are installed horizontally with AMP connection terminals uppermost, the switching values are approx. 20 Pa higher.

## Maximum operating pressure

10 kPa for all pressure ranges.

## Medium

Air, non-combustible and non-aggressive gases.

## Temperature range

Medium and ambient temperature from  $-20^{\circ}\text{C}$  to  $+85^{\circ}\text{C}$ .  
Storage temperature from  $-40^{\circ}\text{C}$  to  $+85^{\circ}\text{C}$ .

## Diaphragm material

Silicone, tempered at  $200^{\circ}\text{C}$ , free of gas emissions.  
Other materials available on request.

## Pressure connections

2 plastic pipe connection pieces (P1 and P2), external diameter 6.0 mm:

P1 for connection to higher pressure (marked +)

P2 for connection to lower pressure (marked -)

## Housing materials

Switch body made of PA 6.6.

Cover made of PS.

## Weight

With cover 150 g

Without cover 110 g

## Mechanical working life

Over  $10^6$  switching operations.

## Electrical rating

Standard version

max. 1.0 A (0.4 A) / 250 VAC

Low-voltage version

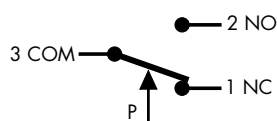
max. 0.1 A / 24 VDC

## Electrical connections

AMP flat plug 6.3x0.8 mm in accordance with DIN 46244 or push-on screw terminals.

Cable conduit with cable strain relief.

## Arrangement of contacts



1 Break contact

2 Operating contact

3 Power supply line

## Protection category

IP 54 with cover

IP 00 without cover

## CE Conformity

each depending on technical specification: Low Voltage Directive 2006/95/EC; RoHS Directive 2011/65/EC; Gas Appliance Directive 90/396/EC; ATEX- Directive 94/9/EC; ANSI UL508; CSA.

## Accessories

See order matrix.

## Order matrix

Pressure ranges	20 to 300 Pascal (0.2 to 3.0 mbar)	<b>930.8</b>	<b>0</b>						
	30 to 400 Pascal (0.3 to 4.0 mbar)								<b>4</b>
	50 to 500 Pascal (0.5 to 5.0 mbar)								<b>3</b>
	200 to 1000 Pascal (2.0 to 10.0 mbar)								<b>5</b>
	500 to 2500 Pascal (5.0 to 25.0 mbar)								<b>6</b>
	1000 to 5000 Pascal (10 to 50 mbar)		<b>7</b>						
Switching contacts	gold-plated for low voltages, screw terminals enclosed						1		
	up to maximum 1.0 A (0.4) / 250 VAC, screw terminals enclosed						2		
	up to maximum 1.0 A (0.4) / 250 VAC with 6.3x0.8 mm flat plugs						3		
	gold-plated for low voltages with 6.3x0.8 mm flat plugs						4		
Fitting method	mounted directly without bracket						2		
Adjustment knob	scale in mbar						1		
	scale in Pascal						2		
	scale in Pascal and inWC						3		
IP protection category	IP 54 with cable conduit M16							5	
	IP 54 with cable conduit M20x1.5							2	
	IP 54 with cable conduit NPT1/2"							3	
	IP 00 without cover							4	
Packaging	bulk packed, 45 pcs. per carton							1	
	bulk packed, folding boxes included							2	
	individually boxed							3	
Accessories	without accessories								1
	with S-shaped metal mounting bracket 6402								2
	with L-shaped metal mounting bracket 6401								3
	with Climaset® 6555								4
	with Climaset® 6550								5
	with S-shaped metal mounting bracket 6402 and Climaset® 6555								6
	with S-shaped metal mounting bracket 6402 and Climaset® 6550								7
	with L-shaped metal mounting bracket 6401 and Climaset® 6555								8
	with L-shaped metal mounting bracket 6401 and Climaset® 6550								9
	with S-shaped snap-on plastic bracket 6482								A
	with L-shaped snap-on plastic bracket 6481								B
	with S-shaped snap-on plastic bracket 6482 and Climaset® 6555								C
	with S-shaped snap-on plastic bracket 6482 and Climaset® 6550								D
	with L-shaped snap-on plastic bracket 6481 and Climaset® 6555								E
with L-shaped snap-on plastic bracket 6481 and Climaset® 6550								F	

## Accessories

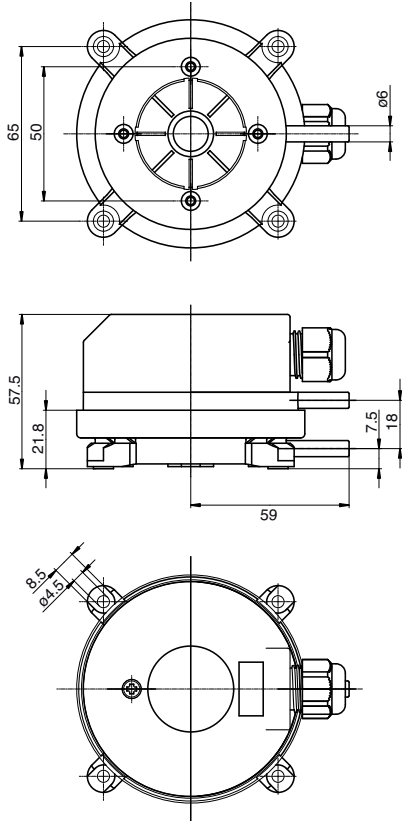
Metal mounting bracket S-shaped	Article No. 6402
Metal mounting bracket L-shaped	Article No. 6401
Snap-on plastic bracket S-shaped	Article No. 6482
Snap-on plastic bracket L-shaped	Article No. 6481
Climaset® consisting of 2 m PVC hose and 2 plastic tubes	Article No. 6555
Climaset® consisting of 2 m Silicone hose and 2 plastic tubes	Article No. 6557
Climaset® consisting of 2 m PVC hose and 2 angled metal pipes	Article No. 6550
Climaset® consisting of 2 m Silicone hose and 2 angled metal pipes	Article No. 6556
Set consisting of three push-on screw terminals	Article No. 6415
Plastic tube for Climaset® 6555	Article No. 6551
Angled metal pipe for Climaset® 6550	Article No. 6552
Rubber grommet for Climaset® 6550	Article No. 6553
Roll with 100 m PVC hose	Article No. 6424
M16 cable conduit including sealing and counter screw	Article No. 6562
M20x1.5 cable conduit including sealing and counter screw	Article No. 6568
NPT1/2" cable conduit without counter parts	Article No. 6561
Cardbox for single packing (without accessories)	Article No. 6428
Cardbox for single packing (with accessories)	Article No. 6429

# Differential pressure switches

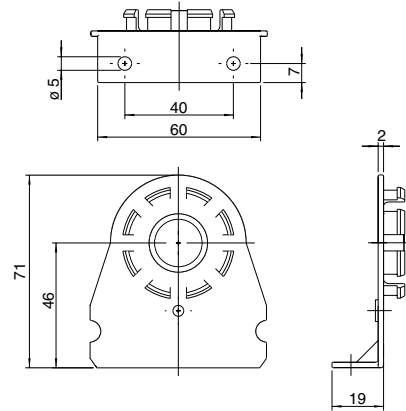
## 930.8x Climair®

with adjustable switching pressure

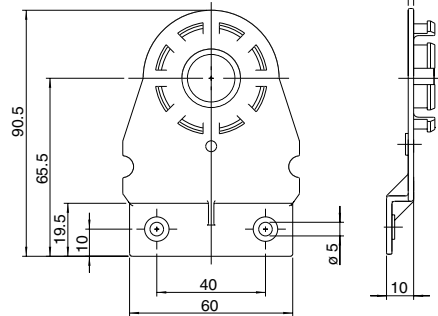
**930.8x Climair®**



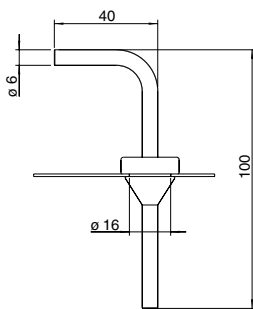
**Mounting bracket 6481**



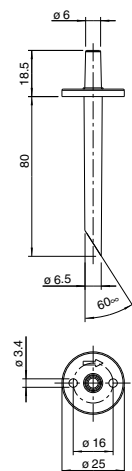
**Mounting bracket 6482**



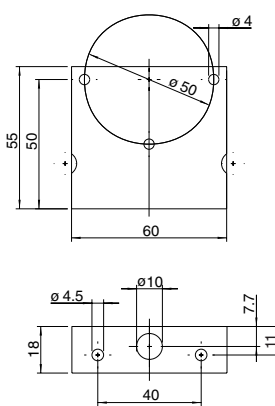
**Climaset®  
6550/6556**



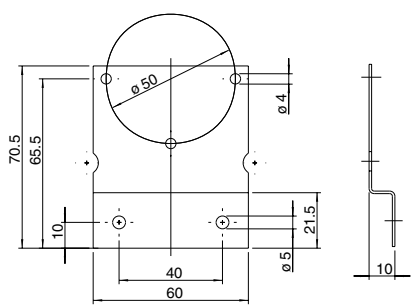
**Climaset®  
6555/6557**



**Mounting bracket 6401**



**Mounting bracket 6402**



Beck GmbH  
 Druckkontrolltechnik  
 P.O. Box 11 31  
 D-71140 Steinenbronn  
 Telephone +49 (71 57) 52 87-0  
 Telefax +49 (71 57) 52 87-83  
 e-mail sales@beck-sensors.com  
<http://www.beck-sensors.com>