

## WEEK TIMER TR 610 TOP3



Electronic 7 days alarm clock for DIN-mounting.

1-channel, 1- or 7 days program.

Automatic changing-over between summer- / wintertime. 6 years spring reserve.  
14 storage locations.

### Technical data:

**Max. power:** 16 A

**Time resolution:** 1 minute

**Accuracy:** <1s per day

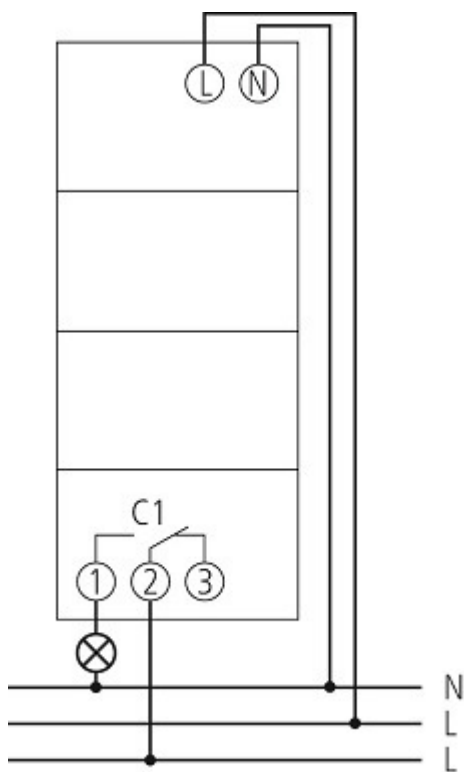
**Battery:** 6 year, lithium

## TECHNICAL DATA

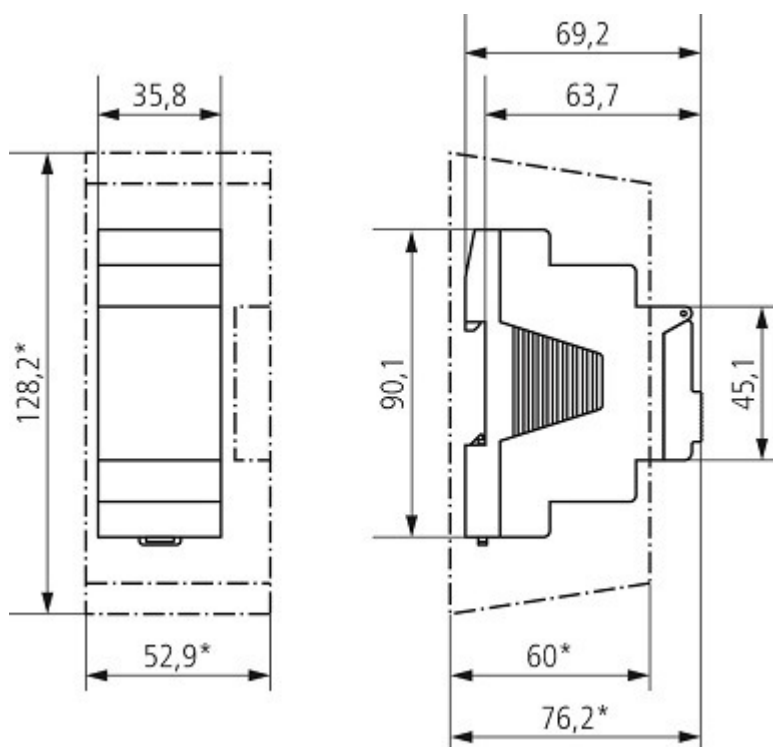
### Week timer TR 610 top3 9500046

Parameter	Value	Unit
Voltage	230	V
Frequency	50/60	Hz
Enclosure class	20	IP

## WIRING DIAGRAM



## DIMENSIONS



## ACCESSORIES

### Mechanical accessories



TR 612 Enclosure