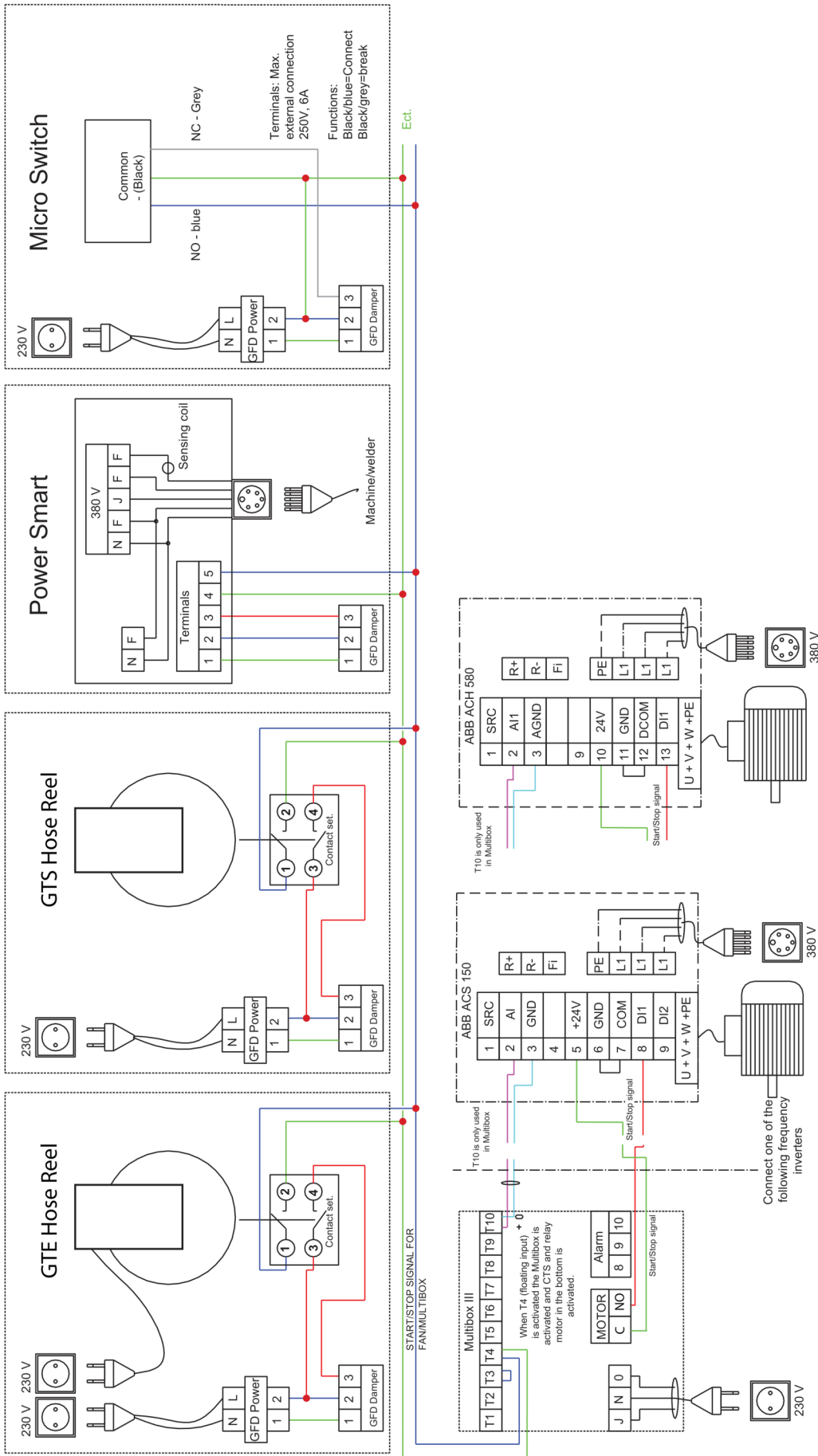


Multicoupling diagram for switches, Multibox III and frequency inverters



Adjusting frequency inverter:

See manual - important parameters, must be adjusted:

- Motordata: Typically parameter group 99
- Ramp up/down: Typically parameter group 22
- Frequency Max/Min: Typically parameter group 20 and 11

OBS - IMPORTANT

Jumper on the bottom (S1) must be switched from "I" to "U" This will change output from current to voltage.
Remember to bridge GND and COM.

Adjusting Multibox III::

- Quickguide - also see manual
- P0: Version selector - select 530 (most common)
- P1: Adjustment set point [Pa]
- P2: Min. Alarm limits [s] at too low pressure
- P3: Max. Alarm limit [s] at too high pressure
- P10: Shows current pressure.