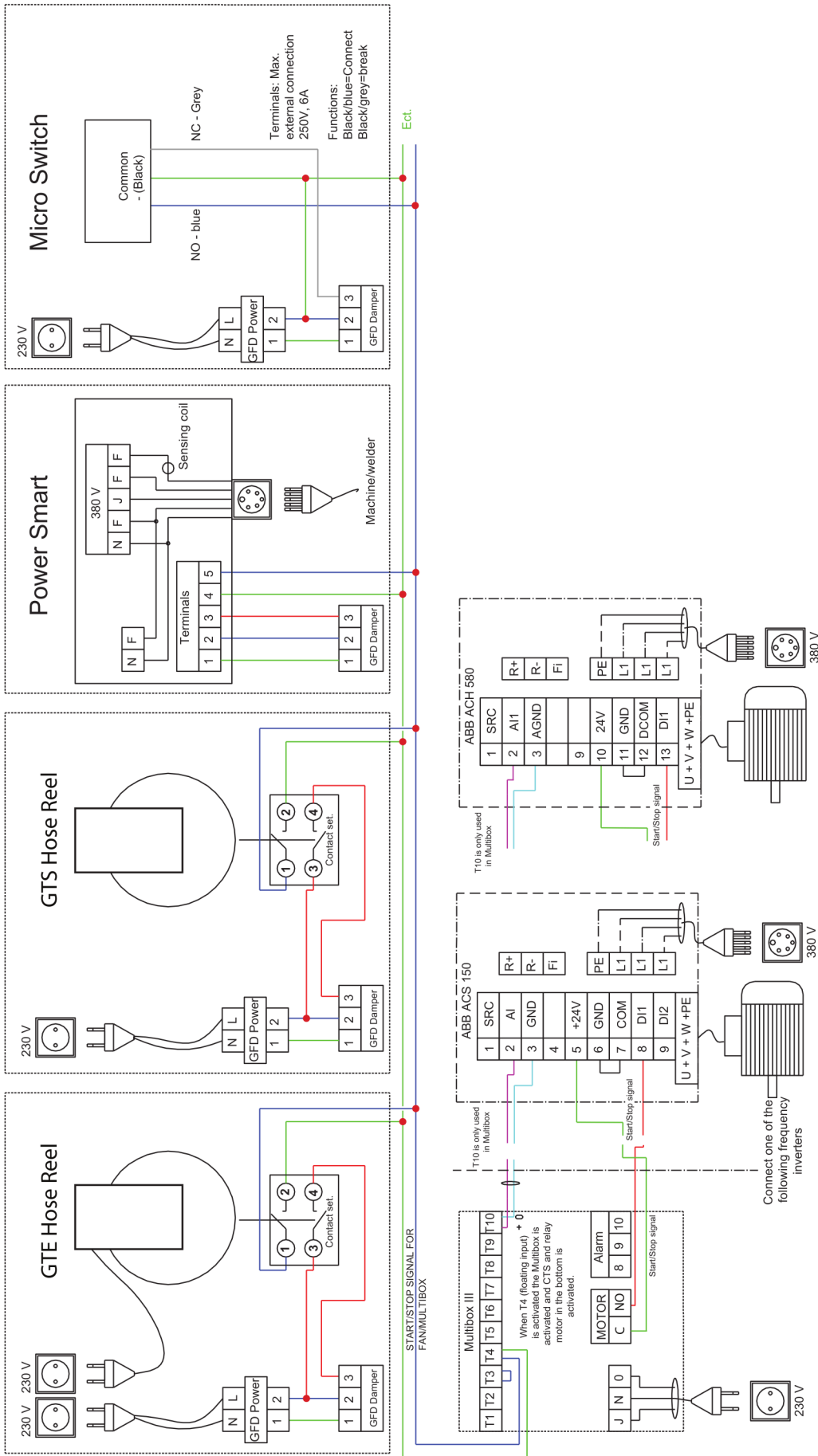


Multicoupling diagram for switches, Multibox III and frequency inverters



Adjusting frequency inverter:

See manual - important parameters, must be adjusted:

Motor data: Typically parameter group 99

Ramp up/down: Typically parameter group 22

Frequency Max/Min: Typically parameter group 20 and 11

OBS - IMPORTANT

Jumper on the bottom (S1) must be switched from "I" to "U" This will change output from current to voltage.

Remember to bridge GND and COM.

Adjusting Multibox III::

Quickguide - also see manual

P0: Version selector - select 530 (most common)

P1: Adjustment set point [Pa]

P2: Min. Alarm limits [s] at too low pressure

P3: Max. Alarm limit [s] at too high pressure

P10: Shows current pressure.