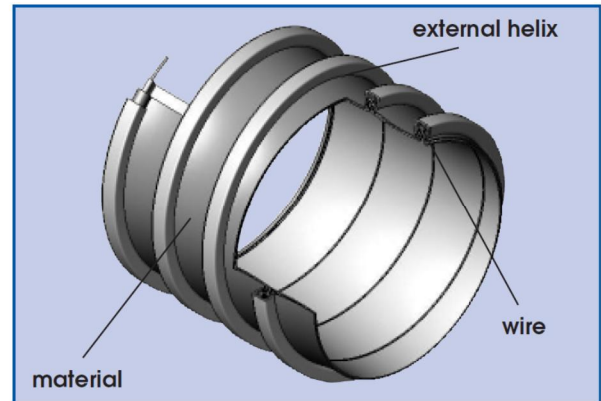
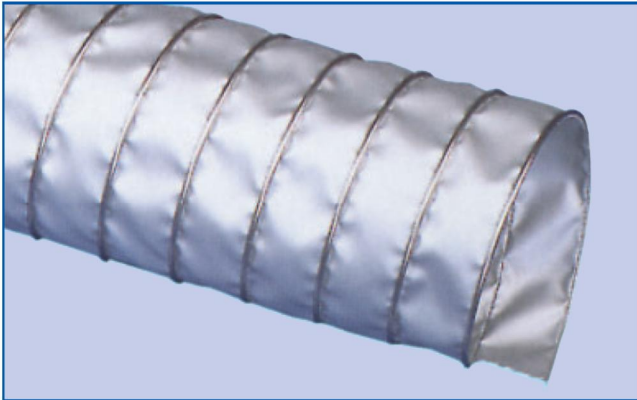




Hose

GeoFlex Exhaust HT 450



GeoFlex Exhaust HT 450 is a high temperature hose designed for extraction or air supply of hot air, fumes, smoke or dust within the industry. Suitable for extraction of exhaust gasses from big combines or excavator etc., or extraction of air from a heater.

Material

2 ply,
Inside: raw glass, Outside: high temperature silicone coated glass fabric

Colour

Silver-grey

Length

3 or 6 m
Special length after request

Temperature resistance

- 60° C to +400° C,
(interm. up to + 450°C).

Application

Suction of exhaust gases, flue gas extraction and suction of other hot fumes, gases or dust in all fields of industry.

Properties

Good temperature resistance,
outer wear strip, flame retardant,
excellent axial compressibility

Technical data

Art.No.	Dia. (mm)	Weight (kg/m)	Bend. Rad. (mm)	Max. Vacuum (kPa)
09-130	*102	1,3	60	11
09-131	*127	1,4	75	7
09-132	*152	1,8	90	5
09-133	*160	1,8	96	4
09-134	*203	2,3	120	3