

Filtre

Dustbox CFU-1000

Geovent Dustbox CFU-1000 is a compact filter unit in galvanized steel, suitable for extraction of particles from i.e. grinding dust. The box can be used in grinding rooms (with own fan) or in workshops with a central extraction system. With an filter area of 10m², the workload on the filter cartridge is minimized, ensuring lower pressure drop and longer living time for the filter. The front can easily be removed for easy access to the filter cartridge, when inspection, cleaning or change is required.

Supplied as a complete unit, eventual fitted with ordered extra equipment.

Filter unit with 10m² antistatic filter cartridge, with possibility of fitted fan on top.

Measure (LxWxH):

Excl. fan part: 500x500x950 mm.

Incl. fan part: 500x500x1300 mm.

99,9% filtration at 0,3µm – polyester fabric

Air flow from 200 – 1.500m³/h – Nominal: 1.000m³/h

Collection bucket 38 liter.

Galvanized steel construction.

Cabinet with vibration pads.

In door installation is recommended, in order to avoid problems with condensation.

Filter cartridge change is recommended when the differential pressure succeeds 1.800Pa.

Accessories:

15-101: Fan for CFU-1000 Unit, with special impeller, which gives a high pressure at a relatively small air flow. The unit is sound isolated & integrated onto the filter cabin. Motor: 1,1kW, 3x400V, 50Hz, 2,6A, 2800 rpm. Measures: 500x500x435mm

15-102: Isolating of CFU-1000

Sound lowering package, consisting of 1,5m² sound isolating material mounted on the inside of the cabinet.

15-103: Automatic package for CFU-1000

Includes a circuit breaker, AirBox II etc.

The automatics components are not factory mounted!

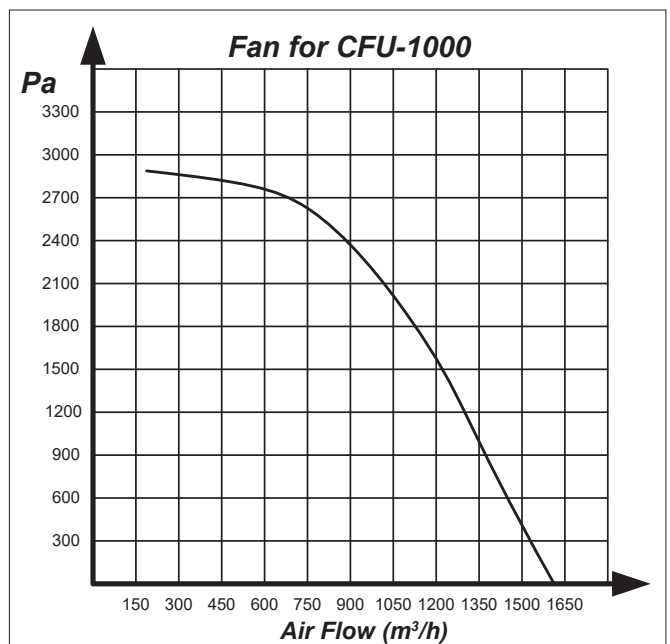
15-104: Manual compressed air cleaning.

Effective cleaning via compressed air with a one push button

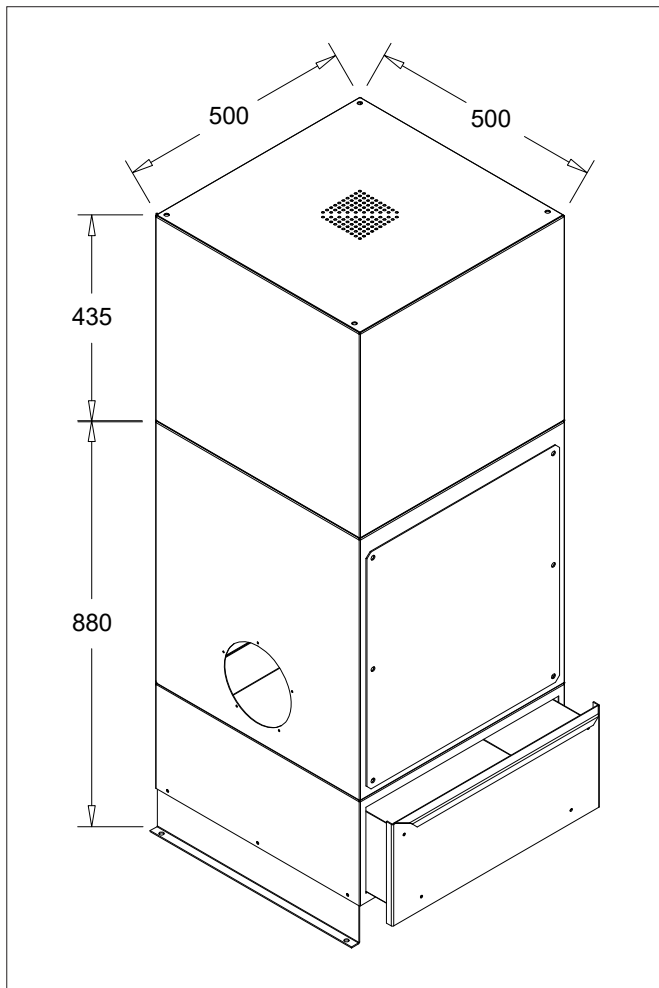


Dustbox CFU-1000 - Art. No. 15-100

Pressure drop

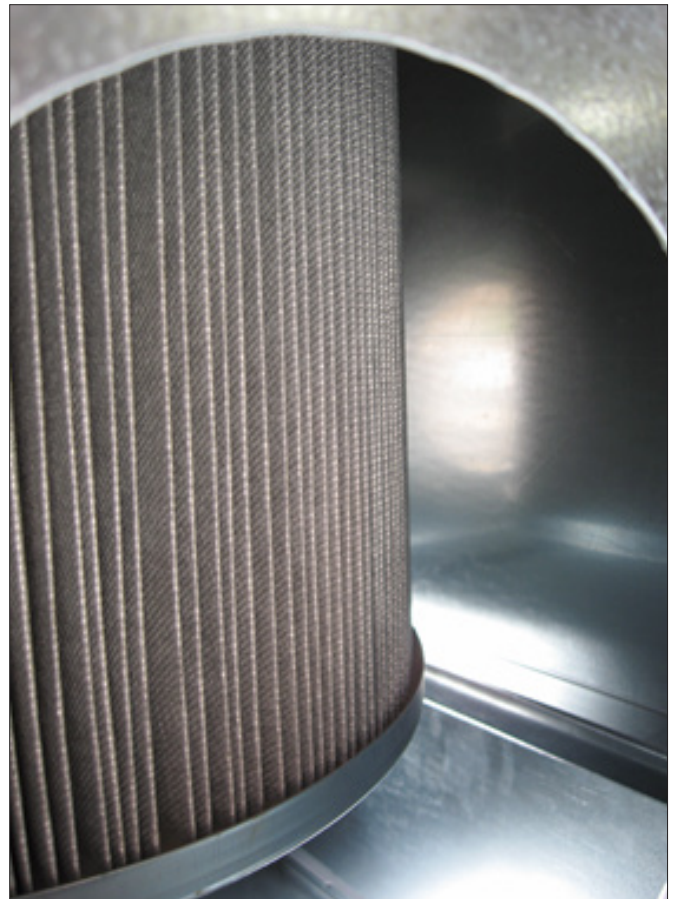


Dimensions



Ordering table

Art. No.	Description
15-100	Dustbox CFU-1000
15-101	Fan for Dustbox CFU-1000 with enclosed B-impeller, 1,1kW, 3x400V, 50Hz, 2800 rpm
15-102	Soundproofing for Dustbox CFU-1000
15-103	Automatic control for Dustbox CFU-1000 (motor guard, pressure guard and more)
15-104	Manual compressed air cleaning, CFU-1000
15-105	Automatic compressed air cleaning, CFU-1000
15-108	Filter cartridge for CFU-1000



Open dustbox CFU-1000 - Art. No. 15-100