

Features & Benefits

- High efficiency filter
- Long life
- 3-dimensional arrestance
- Sleeve available as accessory for easy use with Fresh TL-D, TL-F and TL-P vents
- Fits all Ø 100mm ducts



The Fresh Flimmer® is a high efficiency filter with a long life expectancy for installation within Ø 100 mm ducts.

The filter has a high separation efficiency and particulate-holding capacity. Particles captured by the filter remain trapped thanks to a dual layer of electrostatically-charged fibres near the surface. The filter retains its holding capacity even when not in use, allowing for the dust-free replacement of a worn-out filter.

The Flimmer Filter is Ø94 mm. For installation within ducts greater than Ø94, the filter is supplemented with appropriate packing to make the periphery airtight.

Specification

Product	Description	Art no bulk	Art no individually packed
Flimmer Filter	In-duct filter, Ø94 mm, fits within Flimmer Adapter 10 internal or other Ø100 mm duct	423777	423778
Flimmer Adapter 10 internal	Adapter has snap attachments for Fresh TL-F and TL-P	661012	

Flimmer® filter

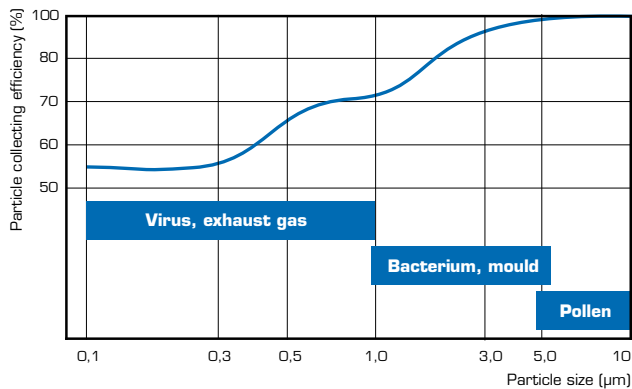
Accessories

Flimmer® Filter

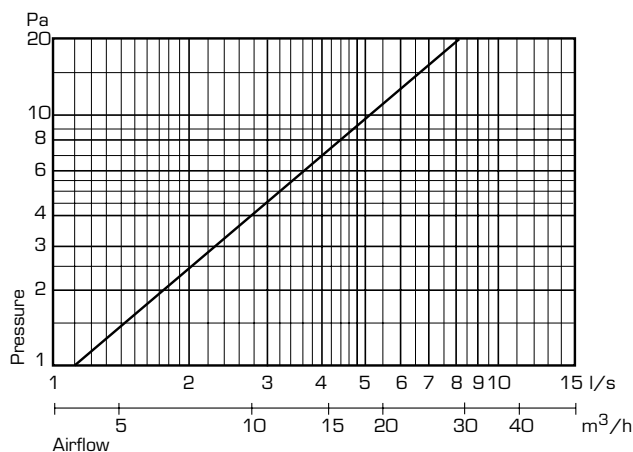
Circular air filter for installation within circular Ø100 mm ducts.

The Flimmer Filter has an internationally-patented Swedish design that offers many advantages. Deep particle removal along the fibres results in a continuously low pressure drop across the filter during its entire life span. Long life expectancy: 1 year between replacements. High arrestance of all particle types and sizes. Composed of environmentally-safe combustible materials.

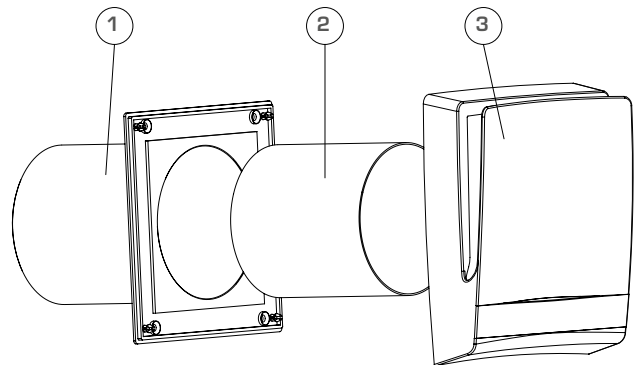
Efficiency of Flimmer Filter, new (equivalent to filter class F7)



Performance TL98F



Installation Example



1. Flimmer Adapter 10 internal

Adapter Ø98/94 fits within Ø102/98 modular ducts and has snap attachments for the Fresh TL-F and TL-P vents.

2. Flimmer Filter

In-duct filter with an outer diameter of Ø94 mm. Fits within Ø100 mm ducts. Packing is necessary to form a peripheral seal if the inner diameter of the duct exceeds Ø94 mm.

3. Interior component of Fresh TL-F vent

The Flimmer Adapter also fits the TL-P vent.

Maintenance

The filter is best replaced after the pollen season. The interval between replacements depends on outdoor air quality. A filter normally serves 1 year. Worn filters are disposed as combustible waste.

Dimensions (mm)

