



Nordic S4



ART.NO. 800130, 800131, 800132, 800133

EN

INSTALLATION INSTRUCTIONS

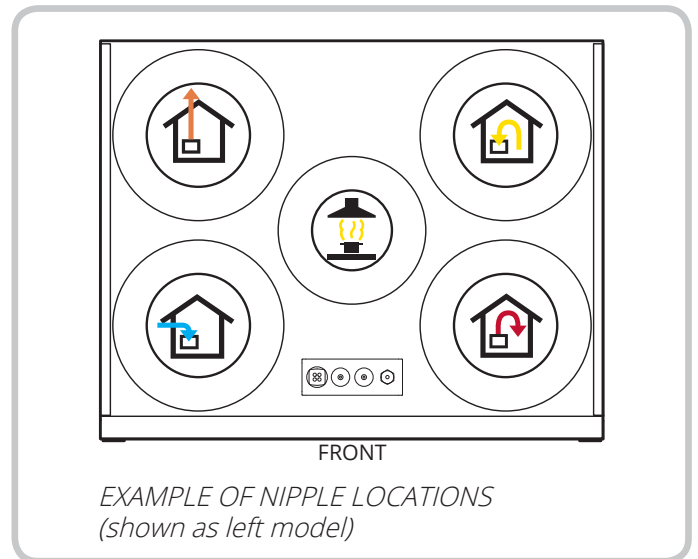
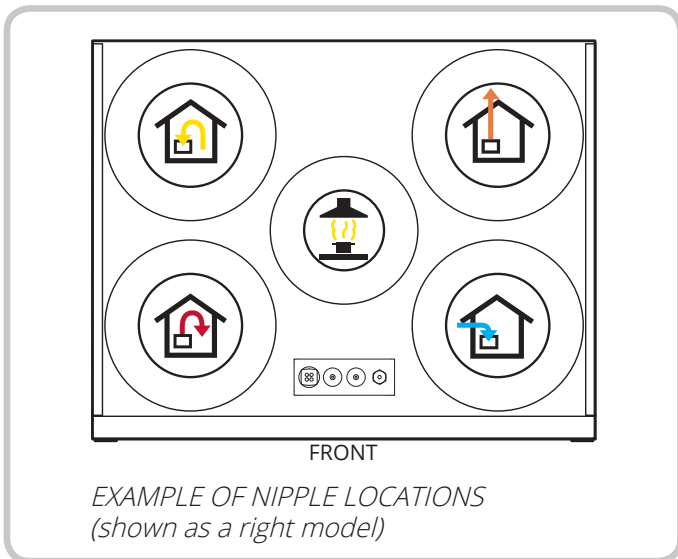
Air handling unit


Contents


1.	Planning and preparation work.....	6
1.1.	Joiner/Fitter.....	6
1.2.	Plumber	6
1.3.	Electrician	6
2.	Installation	7
2.1.	What is supplied?.....	8
2.2.	Positioning requirements	9
2.3.	Space requirements.....	10
2.4.	Installation	11
3.	Duct connection	13
3.1.	Connection to the unit	13
4.	Electrical work.....	14
4.1.	For use with a water battery	14
5.	Plumbing work.....	14
6.	Cover.....	15
6.1.	Preparations	15
6.2.	Flexit duct cover	15
7.	Installing the kitchen fan	16
7.1.	Installation of external kitchen fan	16
7.1.1.	Kitchen fan without motor	16
7.1.2.	Kitchen fan with motor	16
7.2.	Adjusting the kitchen fan	16
7.2.1.	Kitchen fan without motor	16
7.2.2.	Kitchen fan with motor	16
8.	System and general drawings	17
8.1.	System drawing (electric heating battery)	17
8.2.	System drawing (without heater).....	17
8.3.	General drawing.....	18
8.4.	Nipple location	20
9.	Technical data.....	21
10.	Dimensioned drawing	22
11.	Capacity and sound data.....	23
11.1.	Supply air side	23
11.2.	Extract air side.....	23
11.3.	Correction factor for Lw.....	24
12.	Final checks/Starting.....	25
12.1.	Final checks	25
12.2.	Starting	25
13.	CE Declaration of Conformity	26


Symbols used


These products bear a number of symbols used for labelling the actual product and in installation and user documentation.



 **DANGER!** When a text box is this colour, it means that a life-threatening or serious personal injury may be the consequence of not following the instructions.

 **NOTICE!** When a text box is this colour, it means that a poor utilisation ratio or product operating issues may be the consequence of not following the instructions.

 **CAUTION!** When a text box is this colour, it means that material damage may be the consequence of not following the instructions.

 **INFO!** When a text box is this colour, it means that it contains important information.



SAFETY INSTRUCTIONS



- To avoid the risk of fire, electric shock or injury, read all the safety instructions and warning texts before using the unit.
- All electrical connections must be carried out by qualified electricians.
- If the power lead is damaged, it must be replaced by the manufacturer, the manufacturer's service agent or a similarly qualified person.
- The unit must not be used to extract combustible or flammable gases.
- It is the installer's responsibility to carry out a full safety and function assessment of the appliance.
- Before opening the door: switch off the heat, let the fans continue for 3 minutes to remove hot air, unplug the unit and wait 2 minutes before opening the doors, as the unit contains elements that must not be touched when hot.
- This appliance may be used by children of 8 years or above or by persons with reduced sensory capacity or reduced physical or mental capacity, or by persons lacking experience or knowledge, provided they have received instruction in the safe use of the appliance or are supervised to ensure safe use and providing they are aware of the risks.
- The product is not suitable for use by children. Children must not be allowed to play with the appliance. Children must not carry out cleaning or maintenance without supervision.



- This unit is only designed for ventilation air in homes and commercial buildings.
- To maintain a good indoor climate, comply with regulations and avoid condensation damage, the unit must never be stopped apart from during service/maintenance or in connection with an accident.
- The unit must not be operated without the filters being in place.
- All plumbing work must be carried out by an authorised plumber.
- The location of the water battery must be approved by a plumber owing to the risk of water leaks.



- Tumble dryers must not be connected to the unit.
- The room must have a separate, adequate air supply when products such as gas cookers, gas heaters, fireplaces, wood-burning stoves, oil-fired boilers, etc., are used.

1. Planning and preparation work

1.1. JOINER/FITTER

Airflow

Check that the air moves from rooms with supply air valves to rooms with extract air valves.

Kitchen

If the kitchen fan is designed with a motor, sufficient supply air must be ensured. See chap.7.1. Installation of external kitchen fan on page 16 and chap.7.2.

Adjusting the kitchen fan on page 16 for more information.

Fireplace

When using the fireplace suitable supply air must be ensured.

Location in the building

Location of the unit on an internal wall requires insulation of the wall, interrupted studs and boards, and double plasterboard or a wall structure of similar quality (see chap.2.2. Positioning requirements on page 9).



Positioning must comply with individual countries' electrical safety legislation. Check which rules apply in your country.

Suspension of unit

See chap.2. Installation on page 7.

Access

The unit must have good access for service/maintenance. See chap.2.3. Space requirements on page 10 for details.

Fire requirements

Any fire safety requirements must be clarified.

The positioning of heat sources must be coordinated with extract air valves so that heat is not sucked straight out through a valve or door gap.

1.2. PLUMBER

(if the unit has a water battery)

Water pipe layout and placement of the water battery (channel battery) must be planned. These must be kept warm to avoid frost damage. A closing damper with spring must be used. See separate instructions (116166) that accompany the water battery.



The water battery must be located in a room with a drain.

1.3. ELECTRICIAN

Power supply

The units have an approx. 2 m cable with plug and require a single-phase earthed socket nearby. Plug requirements: 10 A. We recommend a separate circuit for the unit. It is important for the plug to be accessible for servicing when the unit is fully installed.



The unit must be installed with an earth fault breaker.

Internet access:

The unit has to be connected to the internet. A conduit of at least Ø20 mm must be laid between the unit and the home's router for the network cable.

For use with a control panel:

Lay a Ø20 mm conduit for running the cable for controlling the unit between the unit and an easily accessible place in the home (e.g. outside the bathroom) and terminate with a flush-mounted single wall box. Locate the control panel here. The control cable must be located min. 30 cm away from any power cables. The control cable must be max. 24 m long to ensure a signal.

For use with accessories:

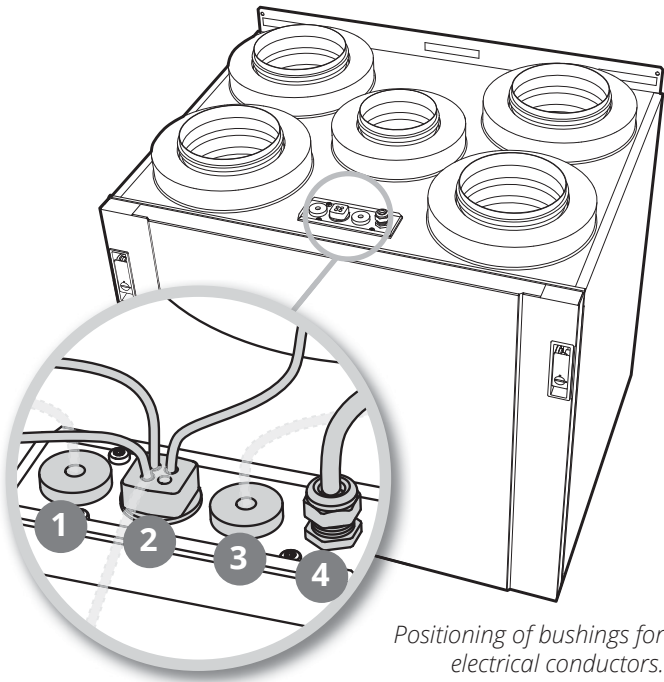
Lay a Ø16 mm conduit between the unit and the location of the accessory in question (kitchen fan, pressure relay, etc.).

NB! The PG nipple for the power cable must be tightened with a torque of 2.0 Nm if the cable is replaced.



The installation instructions for the individual products must be followed.

For more information on automatic control see www.flexit.com or the manual for Flexit GO and the control panel (116081).



Positioning of bushings for electrical conductors.

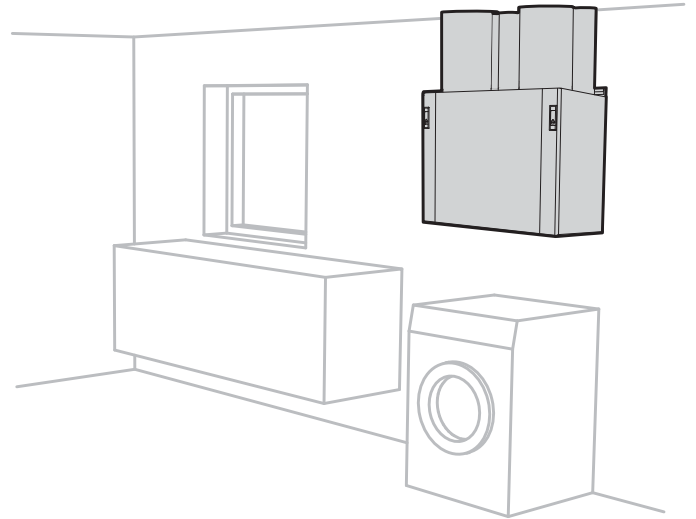
	Cable type
1	Not in use (accessory)
2	Network cable
	Cable for control panel
	3-core cable (for e.g. kitchen fan)
	Not in use (accessory)
3	Not in use (accessory)
4	Power cable, unit

For exact positioning of the electrical bushings, see chap. 10. Dimensioned drawing on page 22.

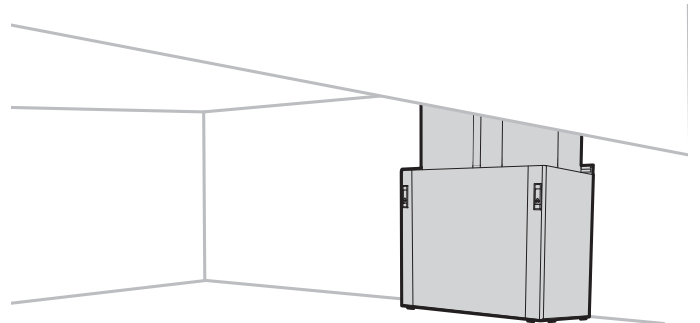
2. Installation

The unit can be installed in the following ways:

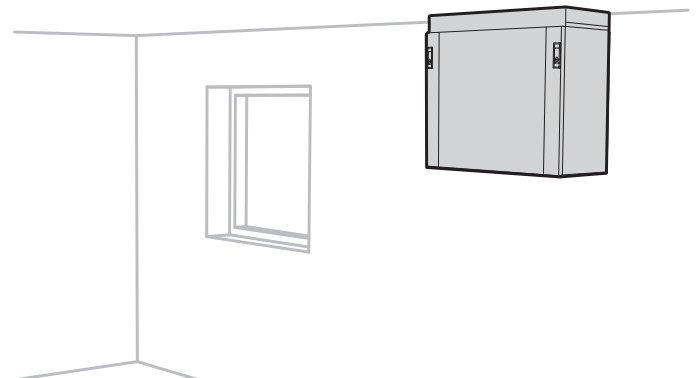
- On the wall (vertically).
(Mounting supplied with unit.)
- On the floor (vertically).
Absorption feet must be fitted (available as an accessory).
- On the ceiling (vertically).
A ceiling mounting must be fitted (available as an accessory).



Hanging on wall, e.g. in laundry room.



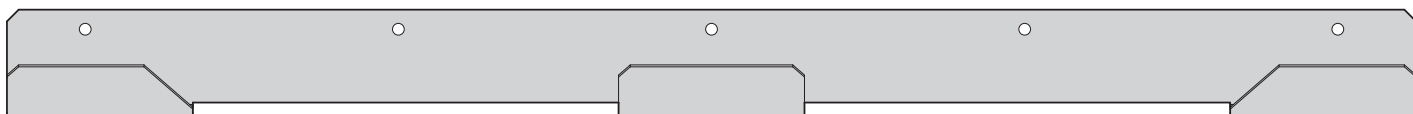
Standing on absorption feet on floor, e.g. in loft.



Hanging on ceiling. (NB: Ceiling mounting is an accessory.)

2.1. WHAT IS SUPPLIED?

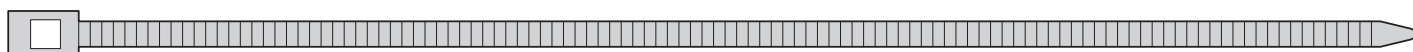
1x



5x



5x



2.2. POSITIONING REQUIREMENTS

The unit is designed to be installed in boiler rooms, laundry rooms, stores or other suitable areas. The unit can be in a cold location.

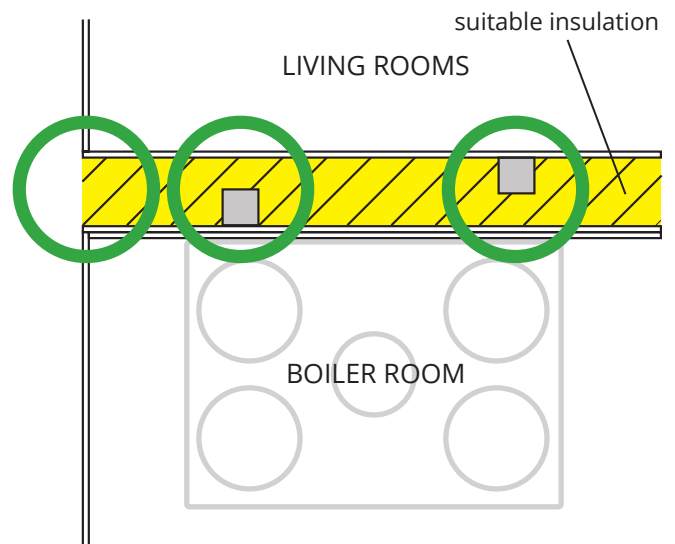
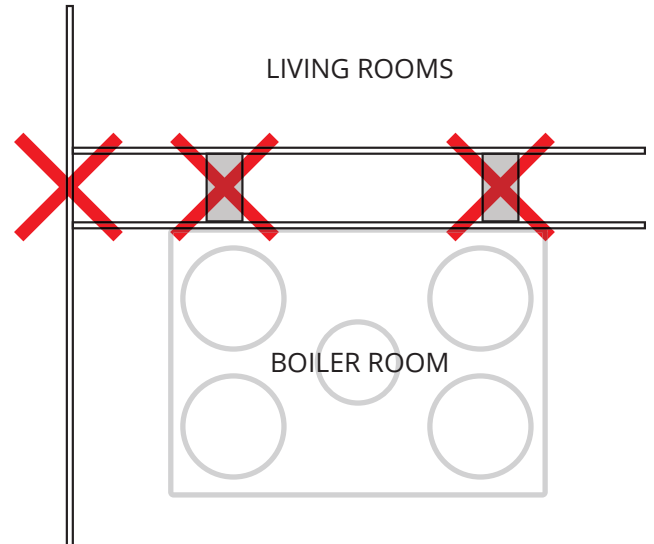


Positioning must comply with individual countries' electrical safety legislation. Check which rules apply in your country.

The unit should be positioned in such a way that there is no danger of noise nuisance in nearby rooms.

- If the unit is located in a warm room where a lot of moisture is generated, condensation may form on the outside of the unit during periods when the outside temperature is low.

The base should be stable and level.



2.3. SPACE REQUIREMENTS

The unit must be installed with suitable space for servicing and maintenance such as filter replacement and cleaning of fans and recovery system. See Fig. 1.

These are minimum requirements and only take service needs into account.

All electrical conductors from the unit must be easily accessible when the unit is fully installed.

i Positioning must comply with individual countries' electrical safety legislation. Check which rules apply in your country.

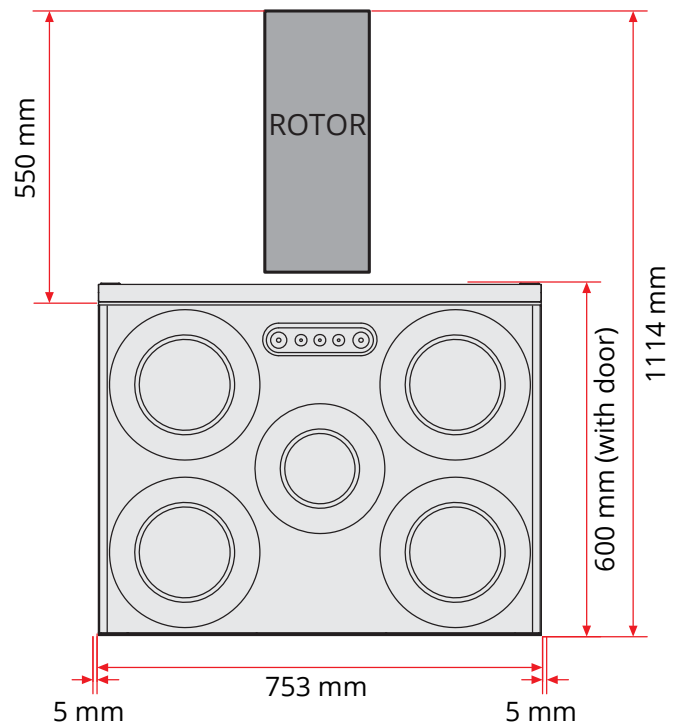
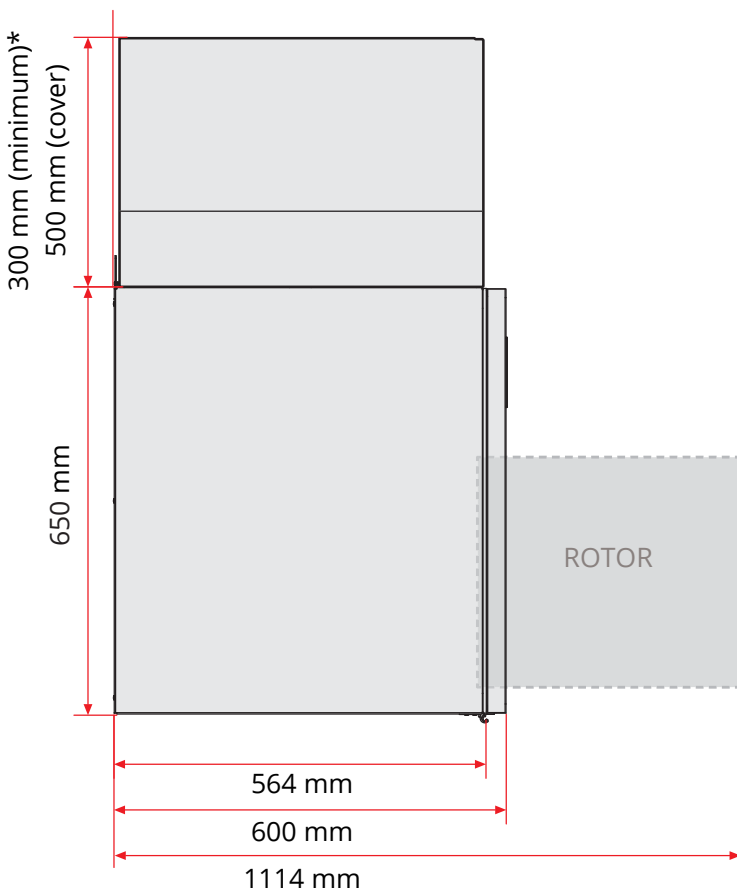


Fig. 1

*For use with a duct cover (accessory)

2.4. INSTALLATION

The unit is available in left and right versions (outdoor air nipple to the left or right), depending on what is the most favourable in relation to the duct location.

In the case of wall mounting, secure the wall bracket to the wall and hang the unit in place (Fig. 3). Hold the unit at an angle when hooking it onto the wall.

The top edge of the wall bracket should be mounted 17 mm higher than the top of the unit's back panel. If, for example, the top of the unit is to be 400 mm below the ceiling, the wall bracket should be mounted 383 mm from the ceiling, measured from the ceiling to the top edge of the wall bracket (Fig. 2).

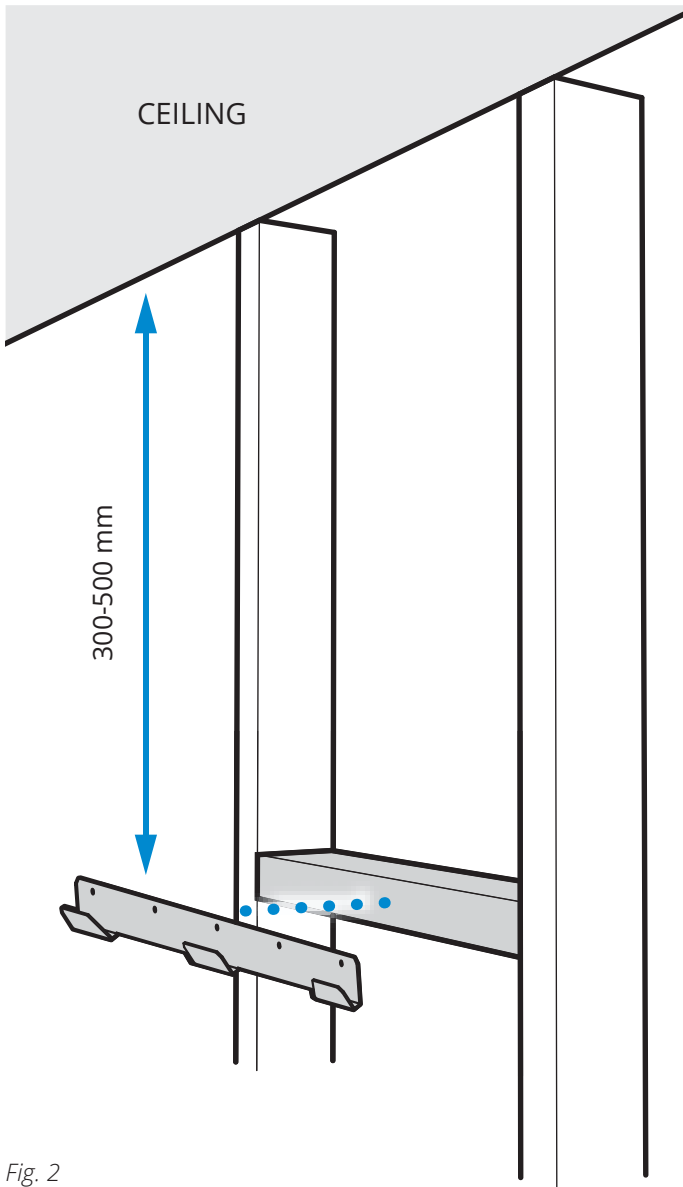


Fig. 2

Alternative mounting methods:

1. Vertical mounting on wall

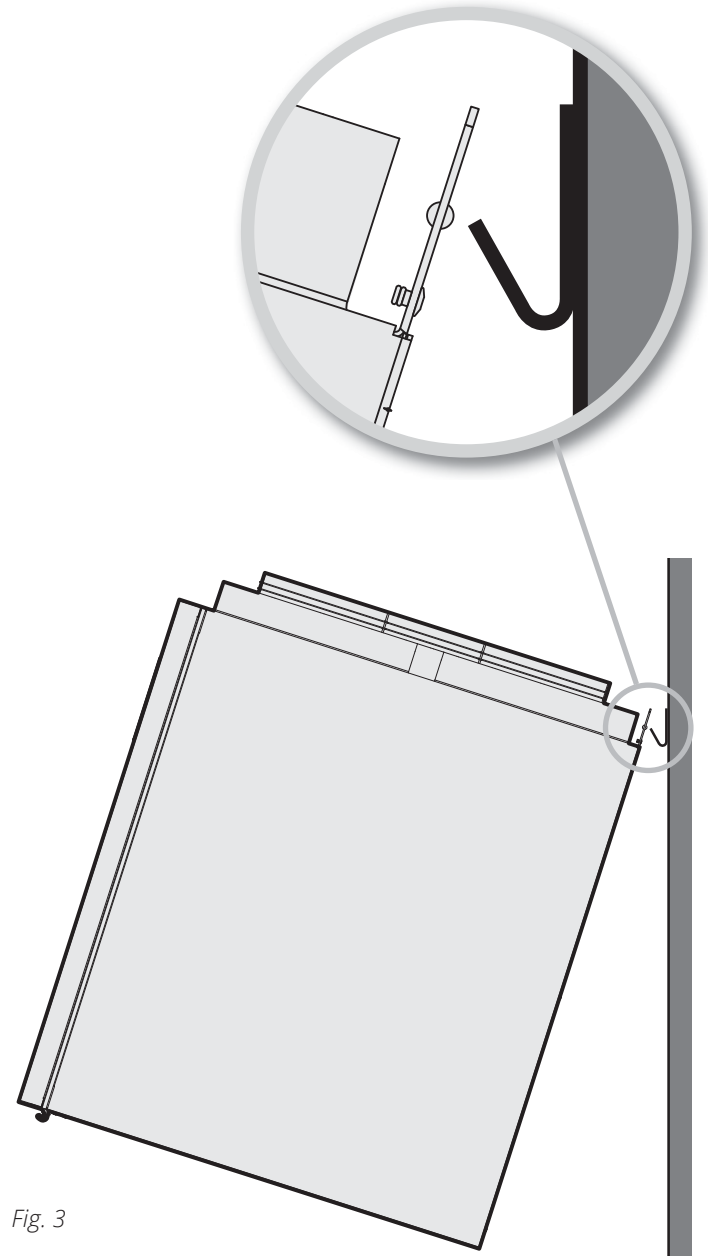
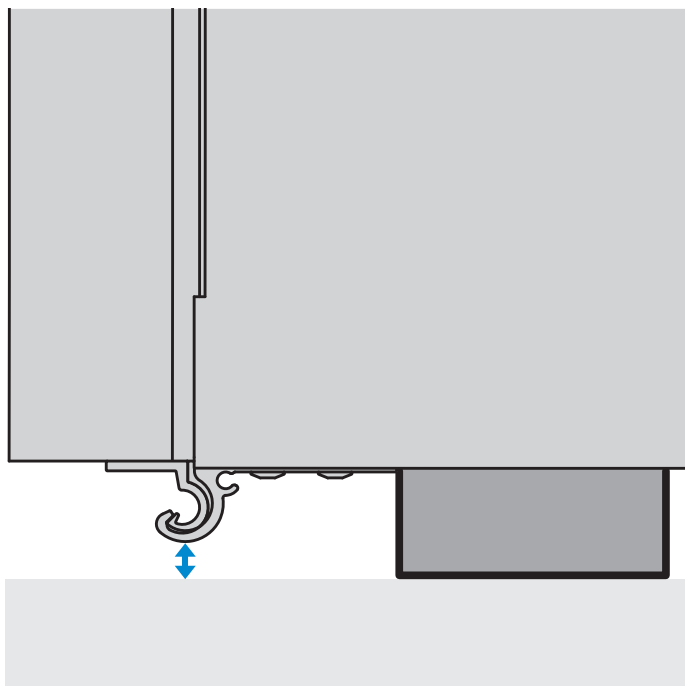


Fig. 3

Alternative mounting methods:

1. Standing on floor



*Absorption feet (accessory) must be fitted when the unit is to stand on the floor.
This raises the unit and enables the door rail to clear the floor.*

3. Duct connection

3.1. CONNECTION TO THE UNIT

See Fig. 4.

Ensure that the ducts are fitted to the correct nipple – see the markings on top of the unit and chap.8. System and general drawings on page 17

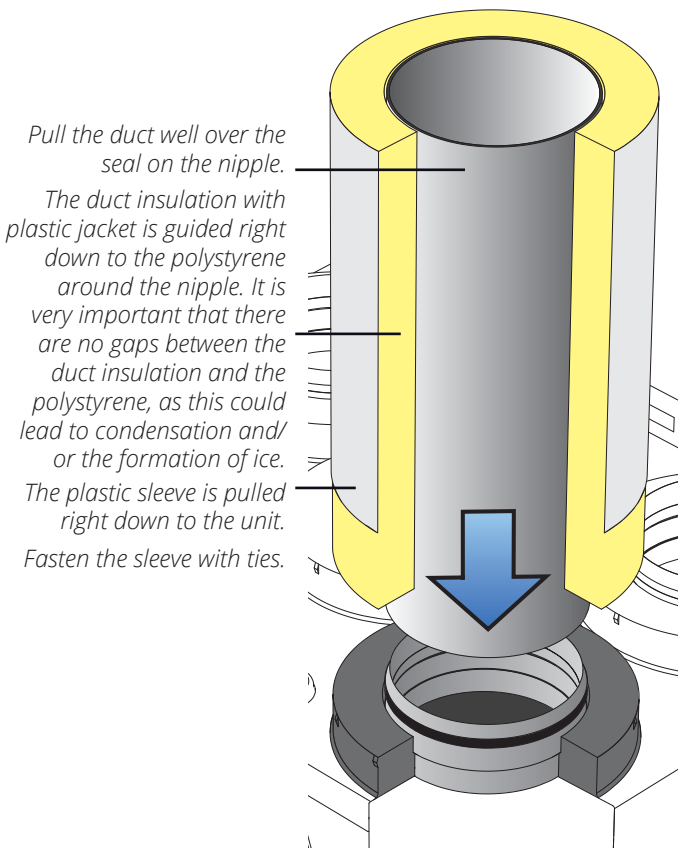
Pull the duct insulation well up to the unit. To avoid the formation of condensation, it is particularly important for the outdoor and exhaust air ducts to have insulation and a plastic sleeve pulled right down to the unit.

Seal the plastic sleeve to the unit with ties.

All ducts that pass through a cold zone must be insulated. The ducts normally require min. 50 mm insulation, with an efficiency corresponding to $\lambda = 0.035 \text{ W/m} \cdot ^\circ\text{C}$ or better. The fitter is responsible for use of the required insulation and vapour-proof sleeves in accordance with location/temperature.

Lay the outdoor air duct with a slight incline towards the outdoor air cap so that any water that enters drains out again.

Ducts should have good sound insulation, particularly above the unit.



Duct connection



Fitted duct

Fig. 4

4. Electrical work



The unit must be installed with an earth fault breaker. All electrical connections must be carried out by a qualified electrician.

The unit is supplied with a 2 m cable with plug. The cable exits at the top of the unit and is connected to a 230 V 50 Hz single-phase earthed power point that is placed in an easily accessible position close by. The power plug should be used as the service switch. See chap.9. Technical data on page 21 for fuse sizes.



Positioning must comply with individual countries' electrical safety legislation. Check which rules apply in your country.



Ensure that the plug for the unit is not boxed in.

Internet access:

The unit should be connected to the internet. Lay a network cable between the unit (connection on top) and the home's router, and connect.

Accessories:

Wireless accessories and pressure sensor

A wireless adaptor and pressure sensor can be connected to the 4-pole contact marked MODBUS. For configuration with the Flexit GO app, see the instructions that come with the accessories.

Other accessories

Accessories with a closing contact can be connected to a 3-core cable on top of the unit.

Marking	Colour	Function
DI1	Brown	HIGH
DI2	Green	COOKER
+24V (REF)	White	Reference

The inputs can be configured for other functions with the Flexit GO app, see instructions in reference manual (116903).

Control panel:

A control panel can be connected to the 2-pole contact marked CI 70.

For more information, see the instructions for the control panel (116081).



Signal cables must be at least 30 cm from power cables and should be laid in a 20 mm wiring conduit at installation. The cables must not be more than 24 m long.

4.1. FOR USE WITH A WATER BATTERY

For more information, see instructions (116166) for water battery.

5. Plumbing work*

*If the unit is going to have heating with a water battery.

All plumbing work must be performed by an authorised plumber. See instructions (116166) for water battery.

6. Cover



For service reasons the cover must have a hatch or removable front.



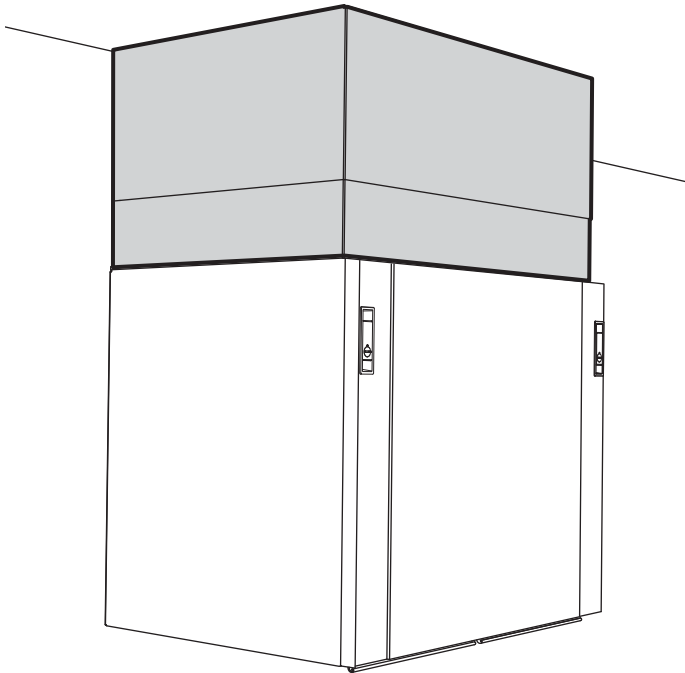
To prevent the transmission of noise and vibrations, the cover and the unit should not be in direct contact with each other.

6.1. PREPARATIONS

The placement of the cover is naturally affected by the placement of the unit. Therefore plan the positioning of both the unit and the cover prior to installation.

The radiated noise from the unit specified in the sound data does not include possible noise from ducting. The cover should therefore be soundproofed too.

6.2. FLEXIT DUCT COVER



Flexit duct covers are available as accessories.

7. Installing the kitchen fan

7.1. INSTALLATION OF EXTERNAL KITCHEN FAN

If an external kitchen fan is going to be used, documentation regarding installation and adjustment of air flow rates is supplied with the fans.

7.1.1. Kitchen fan without motor

(connected to unit with duct connection)

The air handling unit has a separate connection point for kitchen fans without a motor. An electric cable (low-voltage) must be connected between the unit and the fan in order to force the air flow in the hood via the switch on the hood.

7.1.2. Kitchen fan with motor

(not connected to unit)

The kitchen fan with motor is not connected to the unit. It has a completely separate duct system for air evacuation.

With the kitchen fan it is possible to compensate for the amount of air drawn out of the house. See chap. 7.2. Adjusting the kitchen fan for more information.

7.2. ADJUSTING THE KITCHEN FAN

If the kitchen fan is not supplied by Flexit, the fan supplier must plan air flow rates for extract air in the hood, and arrange for supply air to the hood.

7.2.1. Kitchen fan without motor

(connected to unit)

The air flow rate through the fan is adjusted on the basis of the planned air flow rate. Flexit's kitchen fans can handle odour absorption up to 150 m³/h. It is not necessary to compensate for the supply air fan to achieve a balanced air flow rate.

7.2.2. Kitchen fan with motor

(not connected to unit)

If a kitchen fan with a motor is used, the volume of air extracted from the building increases. The air handling unit can be adjusted to provide more supply air than extract air to compensate for this.

A signal to the unit is required when the kitchen fan is used:

Connect an external switch with potential-free ON/OFF signal to the 3-core cable on the unit (DI2, see wiring diagram).

Install the pressure relay (accessory).

The cooker hood function works as follows:

The supply air fan will speed up, while the extract air fan will continue at a low level to partly compensate for the air flow that the cooker hood extracts from the house.

Check the kitchen fan's maximum capacity (based on the capacity diagram on the kitchen fan).

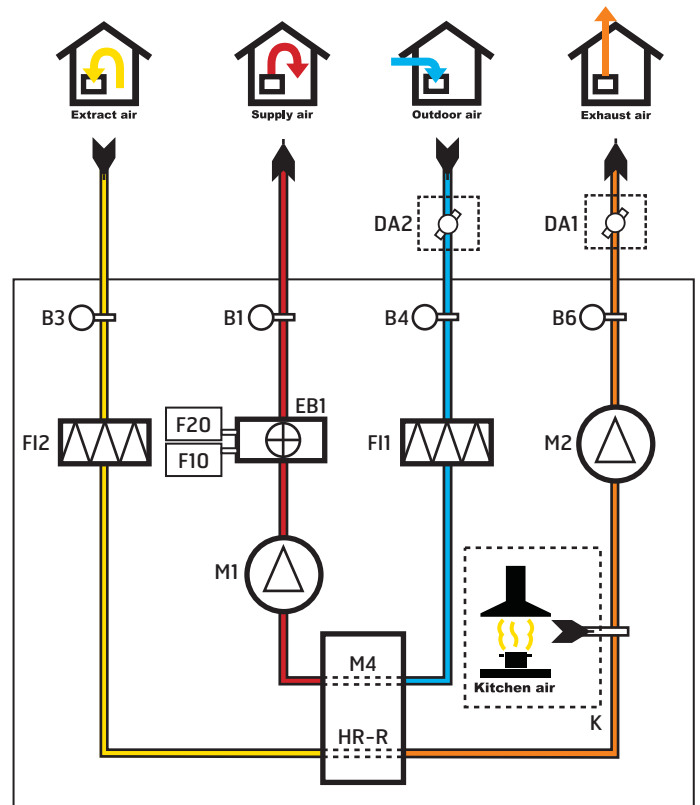
Ensure that the kitchen fan receives sufficient air via one or more fresh air valves, for example.

8. System and general drawings

8.1. SYSTEM DRAWING (ELECTRIC HEATING BATTERY)

(shown as a right model)

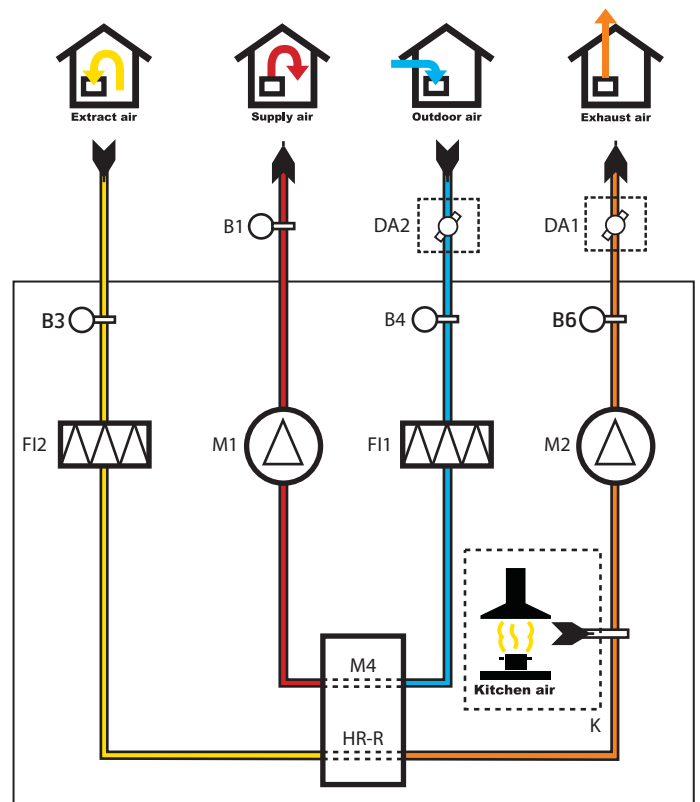
Abbreviation	Description
B1	Supply air temperature sensor
B3	Extract air temperature sensor
B4	Outdoor air temperature sensor
B6	Exhaust air temperature sensor
EB1	Heating battery
F10	Overheating thermostat, manual reset
F20	Overheating thermostat, automatic reset
F11	Supply air filter
F12	Extract air filter
M1	Supply air fan
M2	Extract air fan
HR-R	Rotary wheel-type heat exchanger
M4	Rotor motor
DA1	Damper
DA2	Damper



8.2. SYSTEM DRAWING (WITHOUT HEATER)

(shown as a right model)

Abbreviation	Description
B1	Supply air temperature sensor
B3	Extract air temperature sensor
B4	Outdoor air temperature sensor
B6	Exhaust air temperature sensor
F11	Supply air filter
F12	Extract air filter
M1	Supply air fan
M2	Extract air fan
HR-R	Rotary wheel-type heat exchanger
M4	Rotor motor
DA1	Damper
DA2	Damper

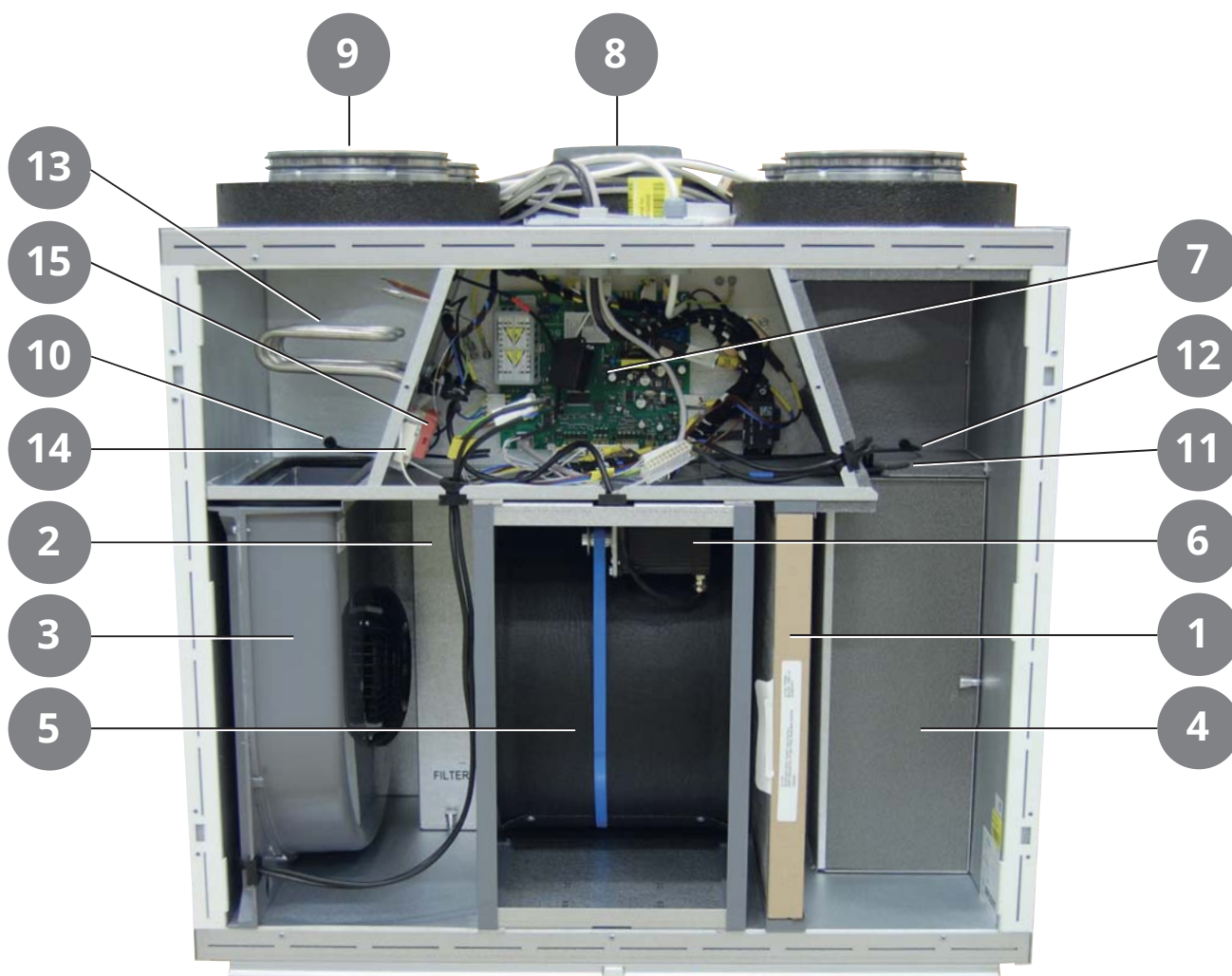


8.3. GENERAL DRAWING

No.	Abbreviation	Description
1	F11	Supply air filter
2	F12	Extract air filter
3	M1	Supply air fan
4	M2	Extract air fan
5	HR-R	Rotary wheel-type heat exchanger
6	M4	Rotor motor
7		Control unit
8	K	Kitchen hood connection
9	B1	Supply air temperature sensor
10	B3	Extract air temperature sensor
11	B4	Outdoor air temperature sensor
12	B6	Exhaust air temperature sensor
13	EB1	Heating battery
14	F10	Heating overheating thermostat man.
15	F20	Heating overheating thermostat auto

With electric heating battery

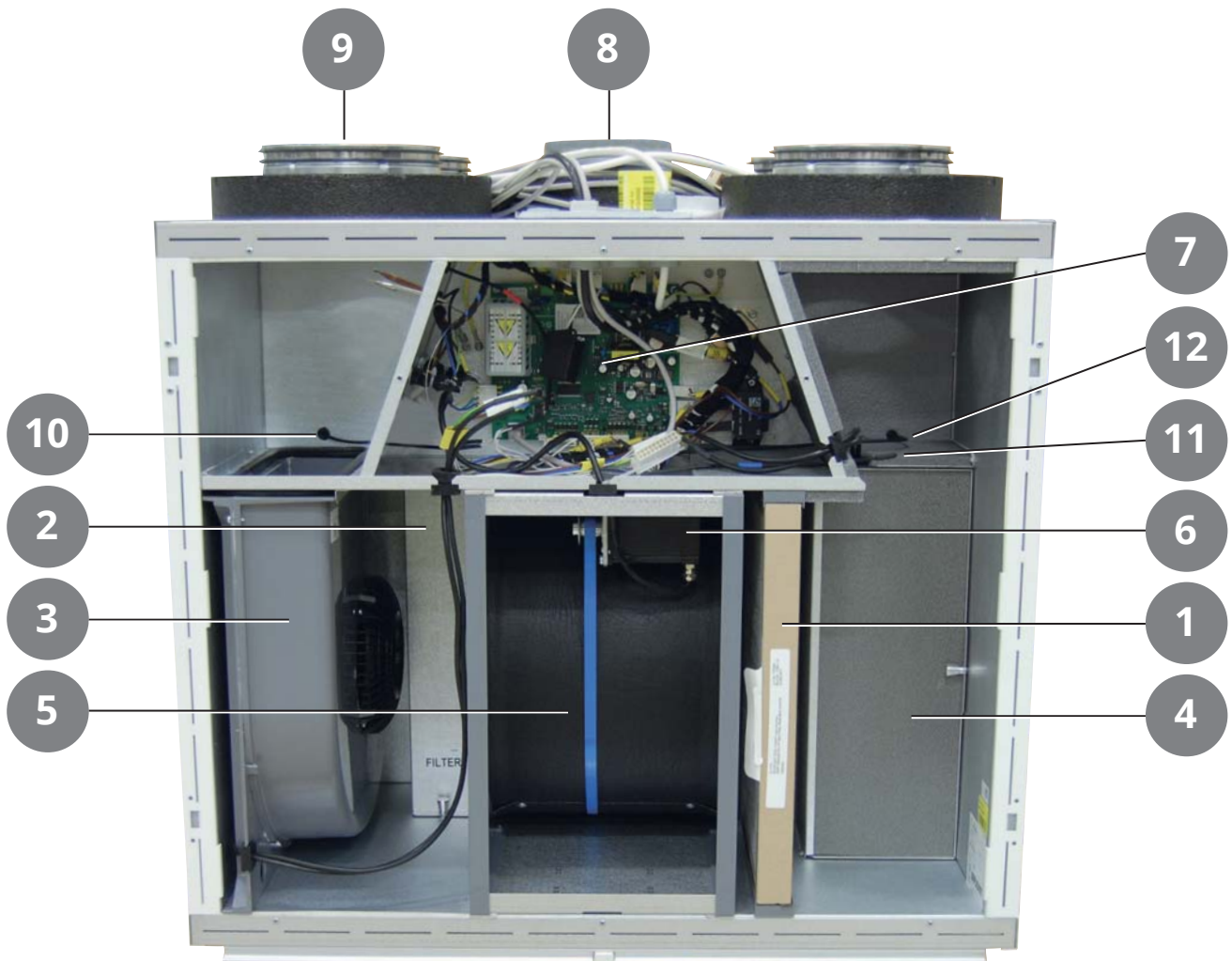
(shown as a right model)



No.	Abbreviation	Description
1	F1	Supply air filter
2	F2	Extract air filter
3	M1	Supply air fan
4	M2	Extract air fan
5	HR-R	Rotary wheel-type heat exchanger
6	M4	Rotor motor
7		Control unit
8	K	Kitchen hood connection
9	B1	Supply air temperature sensor
10	B3	Extract air temperature sensor
11	B4	Outdoor air temperature sensor
12	B6	Exhaust air temperature sensor

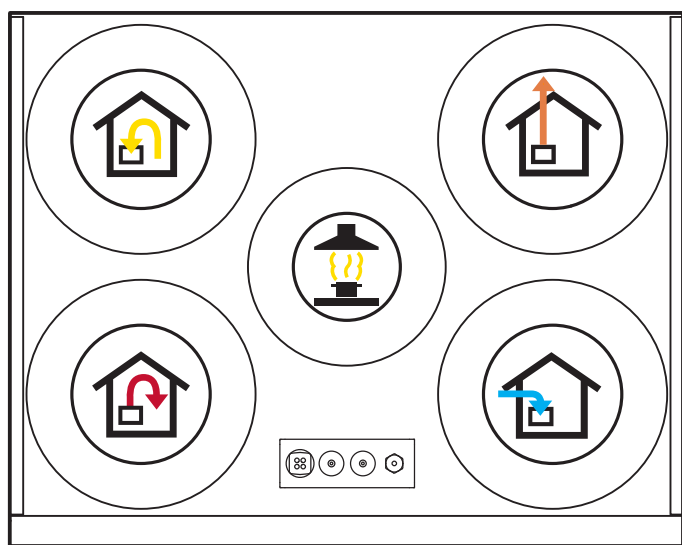
Without heating

(shown as a right model)



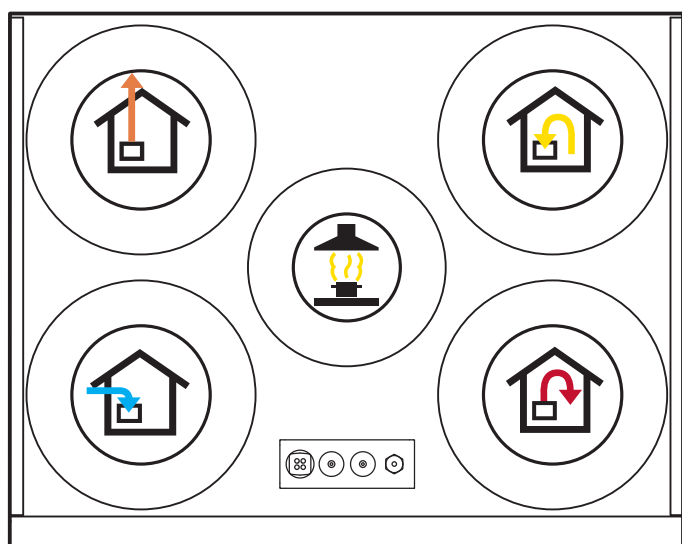
8.4. NIPPLE LOCATION

Right model top



FRONT

Left model top



FRONT

9. Technical data

	S4 RE	S4 R
	with electric battery	without heating
Rated voltage (AC 50 Hz)	230 V	230 V
Frequency	50 Hz	50 Hz
Fuse size	10 A	10 A
Rated current	7 A	3.5 A
Rated power, total	1200 W	400 W
Rated power, max. electric battery	800 W	-
Rated power, fans	2x115 W	2x115 W
Rated power, rotor motor	4 W	4 W
Fan type	B-wheel	B-wheel
Fan motor control	0-10 V	0-10 V
Max. fan speed RPM	3,980	3,980
Automatic control, standard	Flexit GO	Flexit GO
Filter class	ePM1 55% (F7)	ePM1 55% (F7)
Filter type (supply air/extract air)	Compact filter	Compact filter
Filter dimensions (WxHxD)	247 x 365 x 31 mm	247 x 365 x 31 mm
Weight	62 kg	62 kg
Kitchen fan connection	Dia. 125 mm	Dia. 125 mm
Duct connection	Dia. 160 mm	Dia. 160 mm
Height	727 mm	727 mm
Width	753 mm	753 mm
Depth	610 mm	610 mm

Energy class:



CTRL 0.65

LOCAL DEMAND CONTROL

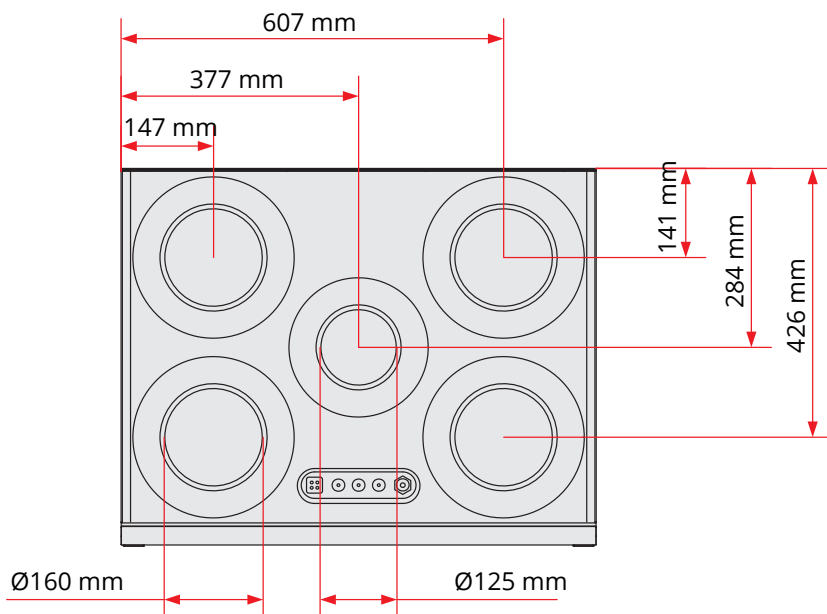
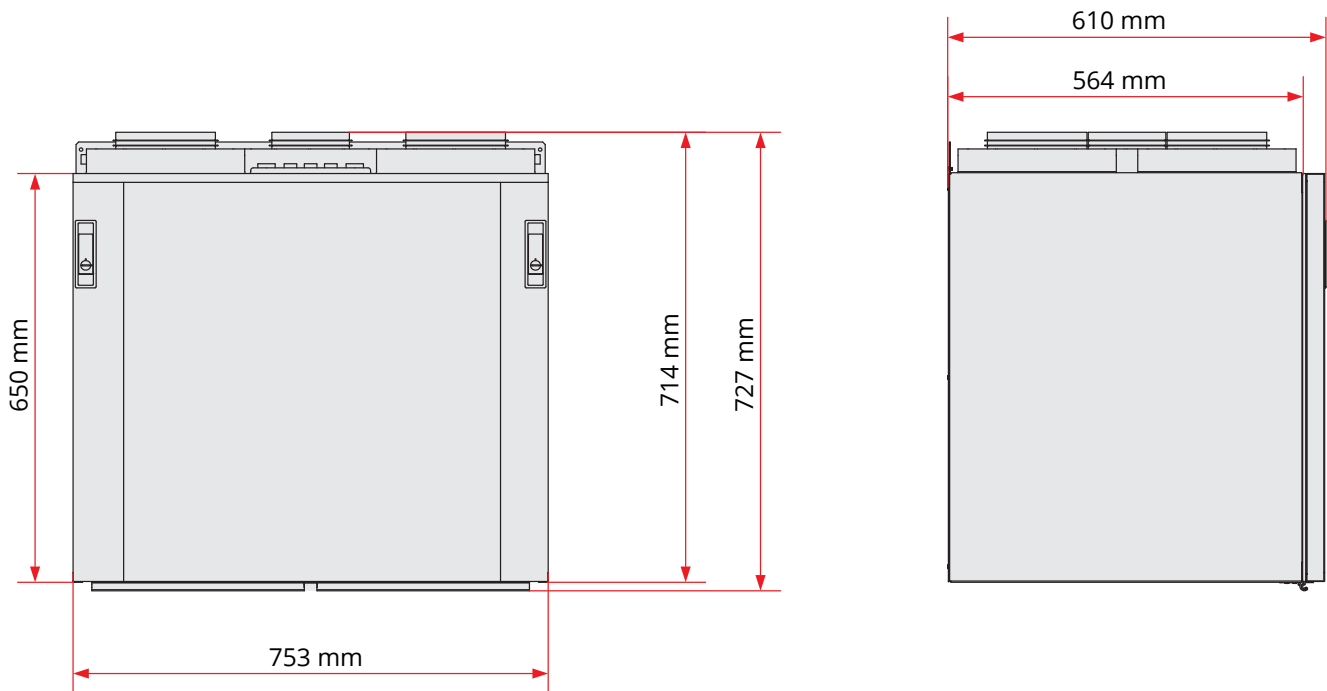
Sensor control for different zones

Accessories: Advanced panel + CO₂ sensor/motion sensor + damper

Result: Increased air flow rate in zones that need it

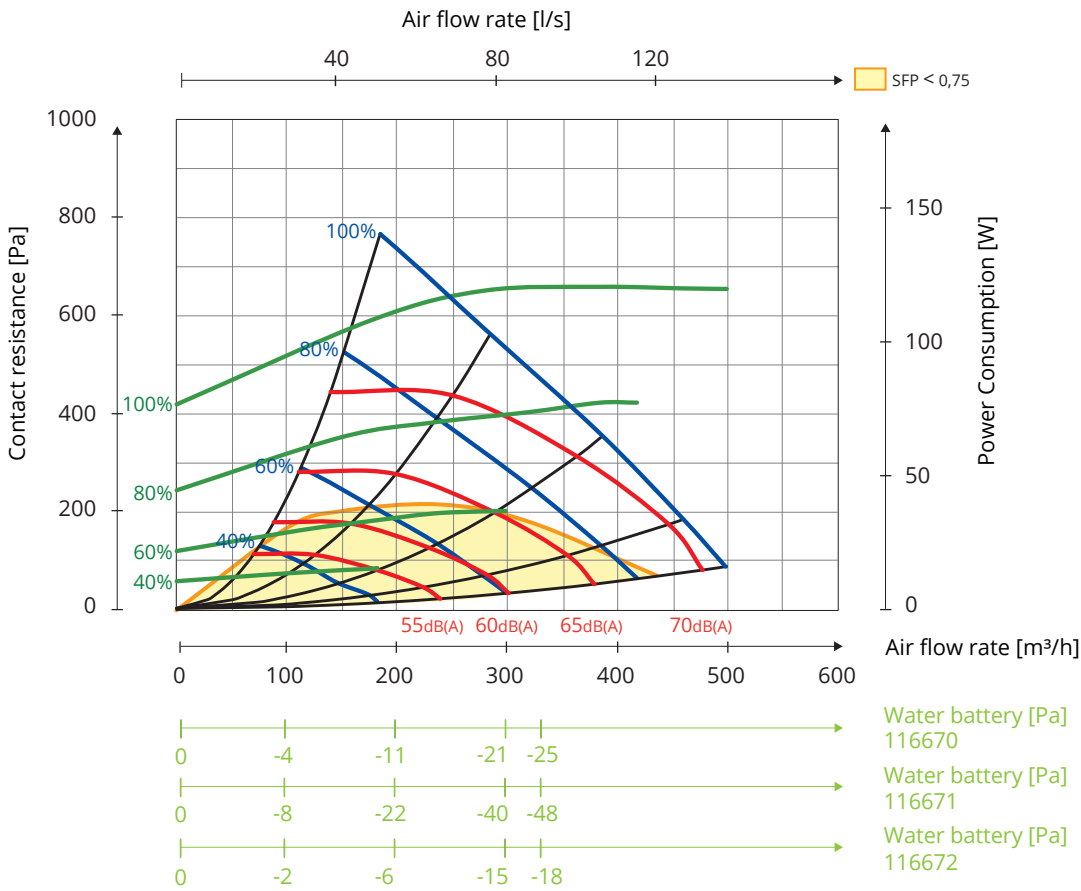
www.flexit.com

10. Dimensioned drawing

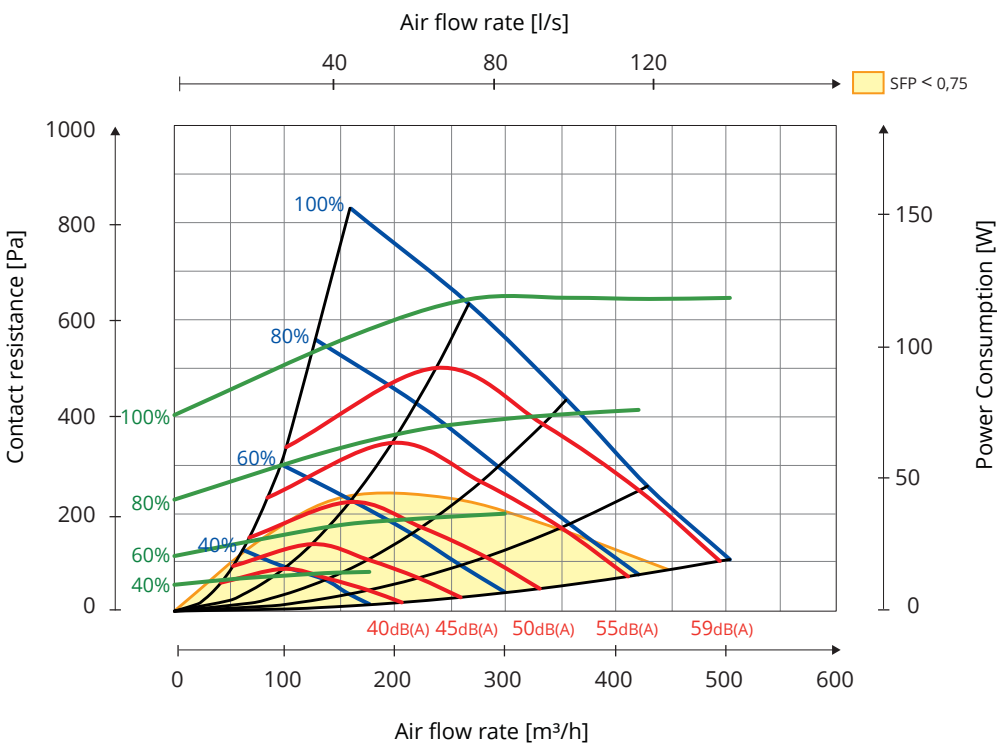


11. Capacity and sound data

11.1. SUPPLY AIR SIDE



11.2. EXTRACT AIR SIDE



Explanation of diagram:

Sound data is specified as sound power level LwA in the capacity diagrams. (This is sound to duct.)

These values can be corrected by means of the table for the different octave bands in order to look at Lw (without adaptation to A band).

The correction table for the various octaves is stated in Lw, which means that the Lw values are after conversion of each octave for supply air and extract air.

Radiated sound from the unit must be calculated from the supply air diagram.

Data for supply air is measured in accordance with ISO 5136, the "In-duct method".

Radiated noise is measured in accordance with ISO 9614-2. Bruel & Kjaer measuring equipment, type 2260.

11.3. CORRECTION FACTOR FOR LW

Hz	63 Lw(dB)	125 Lw(dB)	250 Lw(dB)	500 Lw(dB)	1000 Lw(dB)	2000 Lw(dB)	4000 Lw(dB)	8000 Lw(dB)	LwA (dBA)
Supply air	3	3	2	-2	-8	-9	-17	-24	
Extract air	7	8	6	-8	-11	-15	-25	-27	
Radiated	-9	-14	-19	-28	-33	-30	-34	-37	-22

Working point 240 m³/h against 100 Pa.

> EXAMPLE 1

Sound to duct in the various octaves is stated in Lw

The working point gives 60 dBA from the capacity diagram for supply air. I am interested in what this is specifically in the 250 Hz range.

60 dBA-2=58 dB which is an Lw value (sound power level without adaptation to the ear's A band)

> EXAMPLE 2

Radiated sound in Lw per octave

If a reading of 60 dBA at the working point is taken from the supply air capacity diagram (which indicates sound to duct) in order to arrive at a subsequent Lw value for the various octaves, a deduction is then made from the value for the relevant octave for the row with radiated sound.

60 dBA-28 (for 500 Hz) = 34 dB, which is an Lw value and indicates the radiated sound from the unit in this octave.

> EXAMPLE 3

Radiated sound in total from the unit in LwA

At the bottom right of the table, a total value for radiated sound from the unit is stated in LwA. This is an aggregate value. The values for the radiated sound for the different octaves have been totalled up and then corrected for A band.

This is used as follows:
The LwA value is read from the supply air capacity diagram, in our example 60 dBA, and this is then subtracted from the total value (this is also an LwA value).
LwA 60 dBA-22 dBA = 38dBA (which is then stated in LwA, the sound power level adapted to the ear's A band).

12. Final checks/Starting

12.1. FINAL CHECKS

Check the following points:



Description	Chapter	Performed
Duct insulation has been carried out in accordance with the manual and technical documents	3	<input type="checkbox"/>
Ducts have been connected to the correct nipples	8	<input type="checkbox"/>
Adjustment has been carried out in accordance with the manual and project engineering documents	-	<input type="checkbox"/>
The unit operates normally in all stages	-	<input type="checkbox"/>
The rotor rotates freely	-	<input type="checkbox"/>
Rotor rotates when heating is required	-	<input type="checkbox"/>
Heating comes on	-	<input type="checkbox"/>
Unit has filters for both outdoor air and extract air	8	<input type="checkbox"/>

12.2. STARTING

Using the Flexit GO app (standard):

- Connect the mains plug to the unit.
- The unit will now start.
- The unit will automatically carry out a startup procedure lasting approx. 3 min.
- Check that the app is connected to your unit. If not, follow the connection instructions in the automatic control user manual (116909).
- After the startup procedure the unit will follow the factory default operating settings.
- The settings can be changed using the app.
- Make sure that adjustment has been carried out in accordance with the manual and project engineering documents (ventilation data documentation).

Using a control panel:

- Check that the control panel has been wired up and was connected before the unit was started up.
- Connect the mains plug to the unit.
- The unit will now start.
- The unit will automatically carry out a startup procedure lasting approx. 3 min.
- After the startup procedure the unit will follow the control panel's default settings.
- The settings can be changed from the control panel.
- Make sure that adjustment has been carried out in accordance with the manual and project engineering documents (ventilation data documentation).

13. CE Declaration of Conformity

This declaration confirms that the products meet the requirements in the following Council Directives and standards:

- 2004/108/EC Electromagnetic compatibility (EMC)
- 2006/95/EC Low-voltage Directive (LVD)
- 1253/2014 Ecodesign Directive
- 1254/2014 Energy Labelling Directive

Our products have been tested in accordance with parts of:

- 2006/42/EC Machine Directive (Safety)

Producer: FLEXIT AS, Televeien 15, 1870 Ørje, Norway

Type: Nordic S4 Air handling unit

Complies with the following standards:

Safety standard	EN 60335-1:2012 + A11
EMF standard:	EN 62233: 2008
EMC standard:	EN 55014-1:2006 + A1 + A2 EN 61000-3-2: 2006 + A1 + A2 EN 61000-3-3: 2013 EN 55014-2:1997 + A1 + A2

The product is CE-marked: 2016

FLEXIT AS 2017



Knut Skogstad
CEO



Warranty claims will only be valid if the instructions in the manuals have been followed.

Our products are subject to continuous development and we therefore reserve the right to make changes.

We also disclaim liability for any printing errors that may occur.



FLEXIT AS, Televeien 15, 1870 Ørje, Norway
www.flexit.no