



ProNordic

ART.NO. 118019,118139,118203,118528

EN

INSTALLATION INSTRUCTIONS

Heating battery electrical



A document with more information about the ventilation unit is supplied with each product or can be downloaded from Flexit's website: www.flexit.com

Our products are subject to continuous development and we therefore reserve the right to make changes. We also disclaim liability for any printing errors that may occur.

Contents

| | |
|--|----|
| 1. Installing an electrical heating battery..... | 6 |
| 1.1. 3N~400 V..... | 6 |
| 1.2. 3~230 V..... | 6 |
| 2. S100R, S140R, S180R, S220R, S240R, S260R..... | 7 |
| 3. L110R, L150R, L190R, L230R, L270R..... | 11 |
| 4. Configuration | 15 |

Symbols



DANGER! When a text box is this colour, it means that a life-threatening or serious personal injury may be the consequence of not following the instructions.



NOTICE! When a text box is this colour, it means that a poor utilisation ratio or product operating issues may be the consequence of not following the instructions.



CAUTION! When a text box is this colour, it means that material damage may be the consequence of not following the instructions.



INFO! When a text box is this colour, it means that it contains important information.



SAFETY INSTRUCTION



- To avoid the risk of fire, electric shock or injury, read all the safety instructions and warning texts before using the unit.
- All electrical connections must be carried out by qualified electricians.
- If the power lead is damaged, it must be replaced by the manufacturer, the manufacturer's service agent or a similarly qualified person.
- The unit must not be used to extract combustible or flammable gases.
- It is the installer's responsibility to carry out a full safety and function assessment of the appliance.
- All electrical power to the unit must be shut off before carrying out service or maintenance, including cleaning:
 1. Switch off the unit in the following menu on the handheld terminal:
'Start page > SWITCHOVER SERVICE > OFF'
 2. Wait until the unit has stopped.
 3. Switch off the all-pole switch.

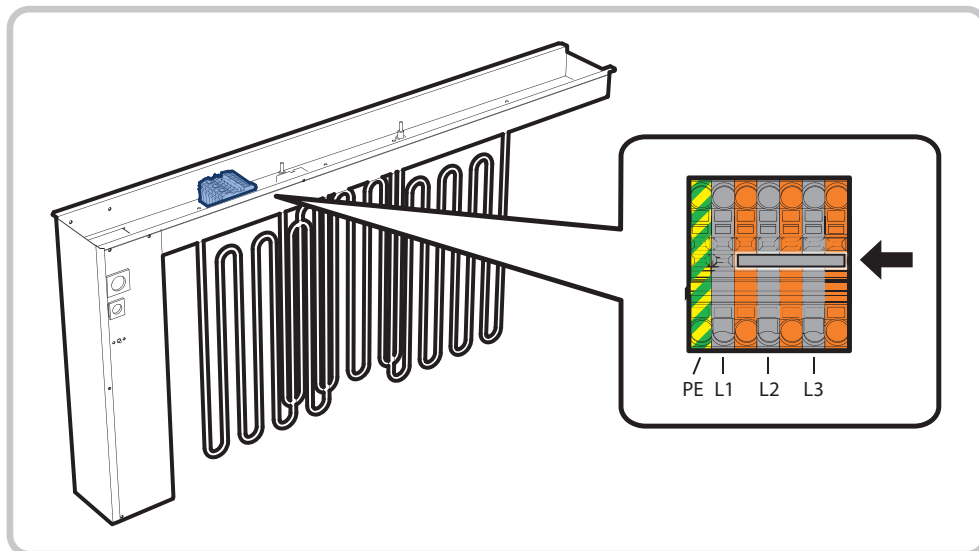


- This unit is only designed for ventilation air in homes and commercial buildings.
- To maintain a good indoor climate, comply with regulations and avoid condensation damage, the unit must never be stopped apart from during service/ maintenance or in connection with an accident.
- The unit must not be operated without the filters being in place.
- All plumbing work must be carried out by an authorised plumber.
- The location of the water battery must be approved by a plumber owing to the risk of water leaks.
- Check whether the unit's operating voltage is 400V or 230V.
- The electric battery must be configured in accordance with the operating voltage.

1. Installing an electrical heating battery

1.1. 3N~400 V

Fit the supplied long cam clip as shown.

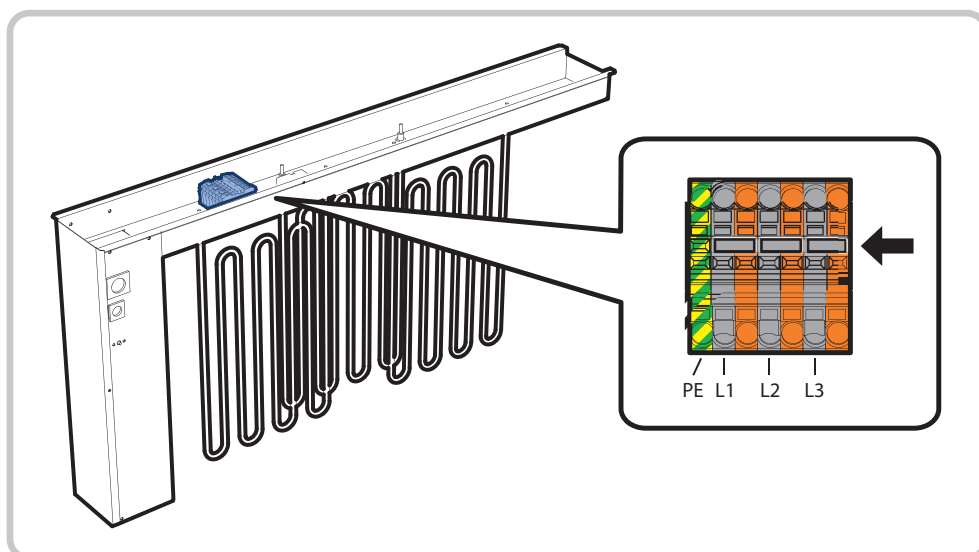


1.2. 3~230 V

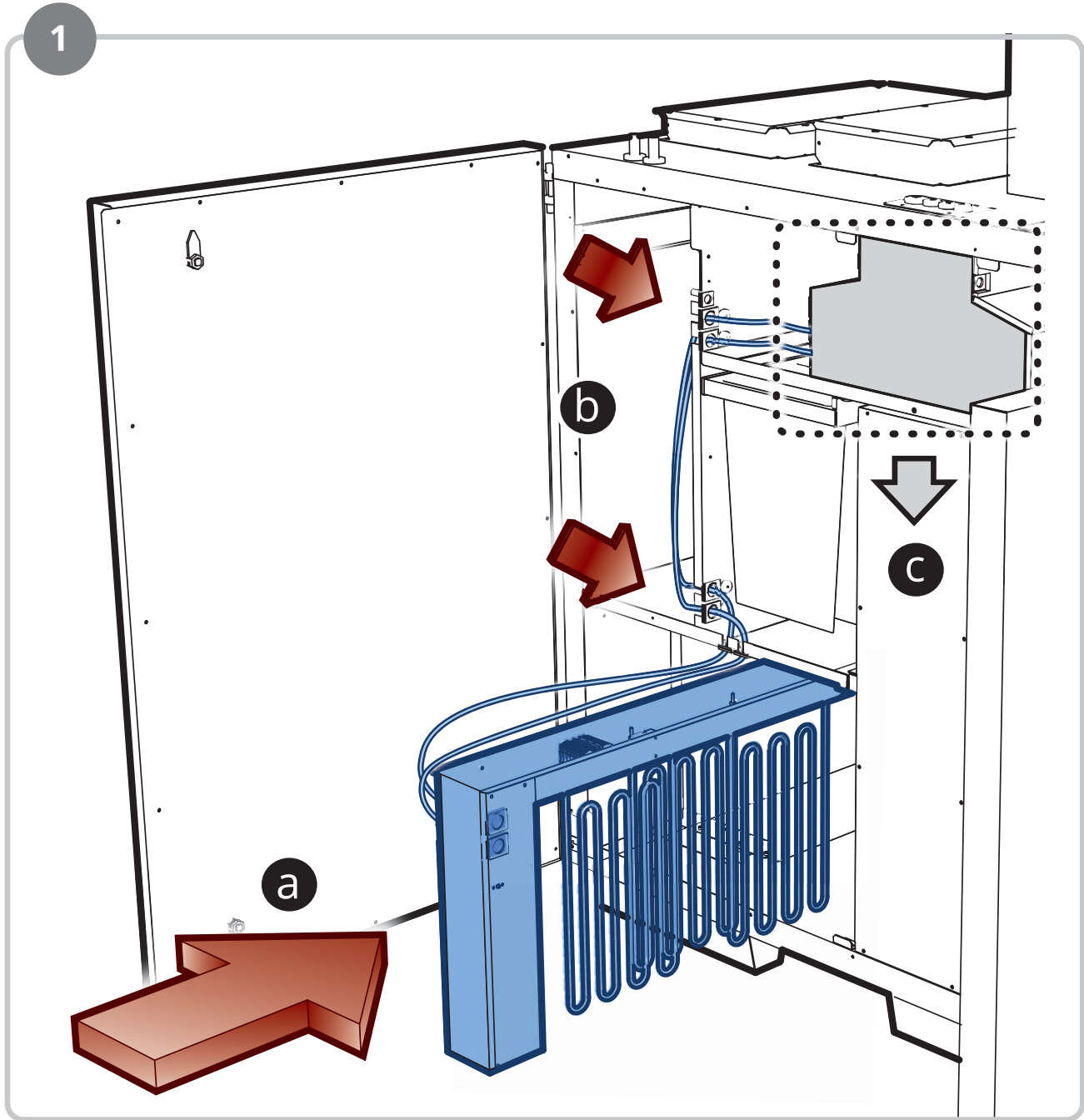
Fit the three supplied cam clips as shown.



INFO!
230 V only applies in Norway.

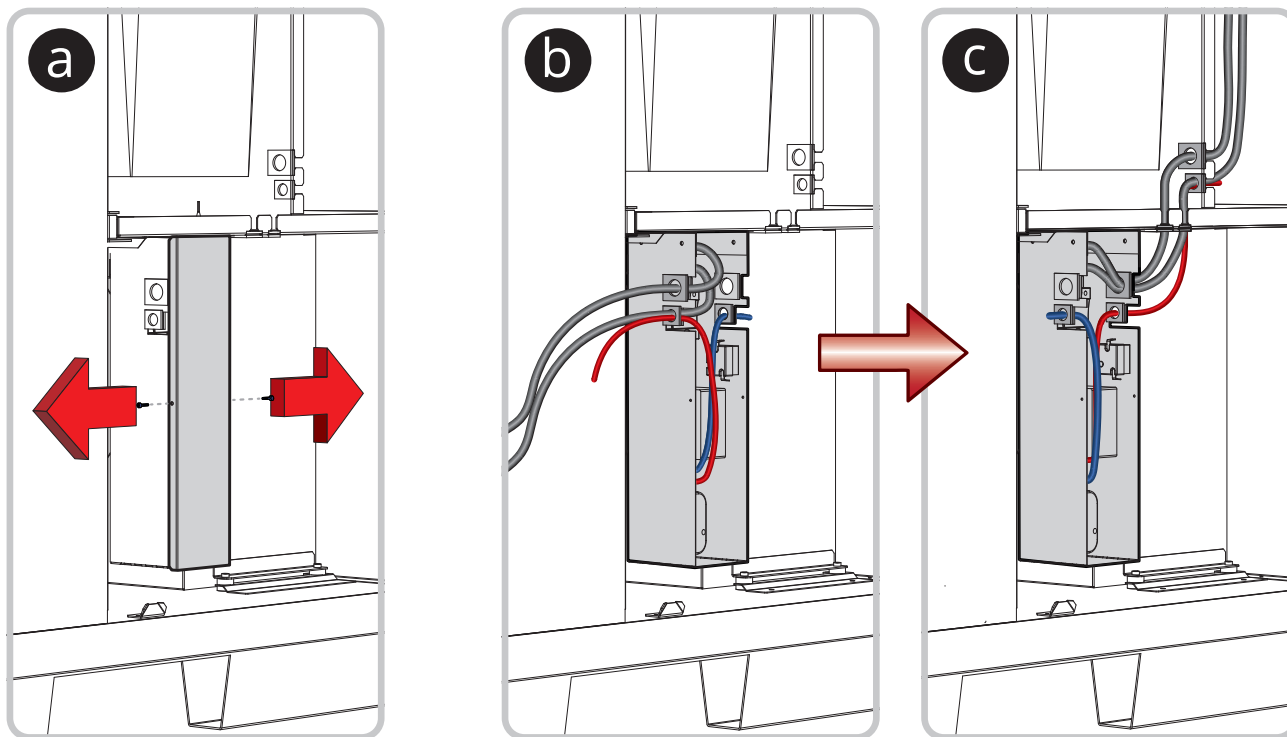


2. S100R, S140R, S180R, S220R, S240R, S260R



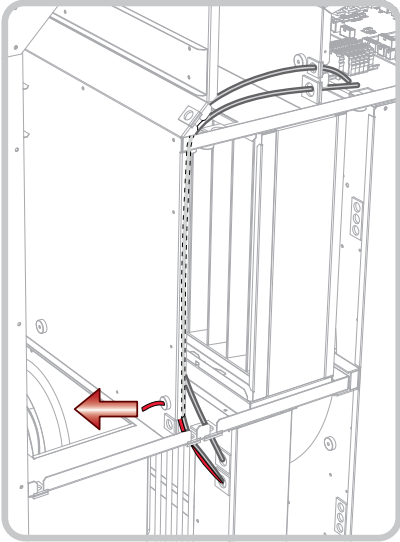
2

Left model

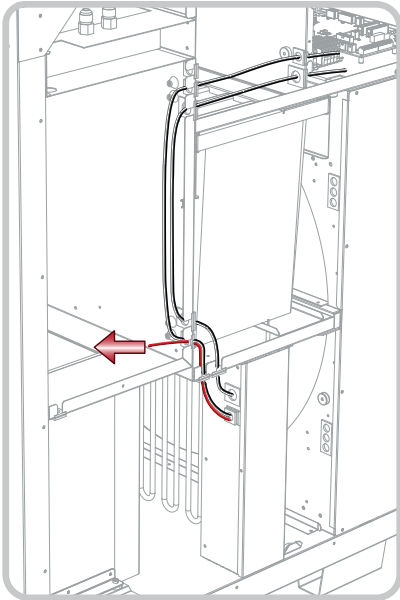


3

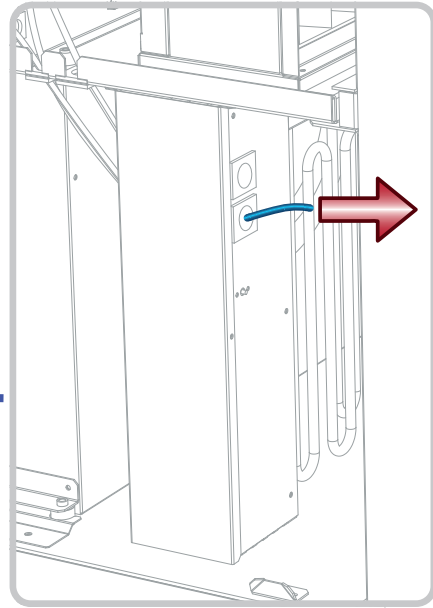
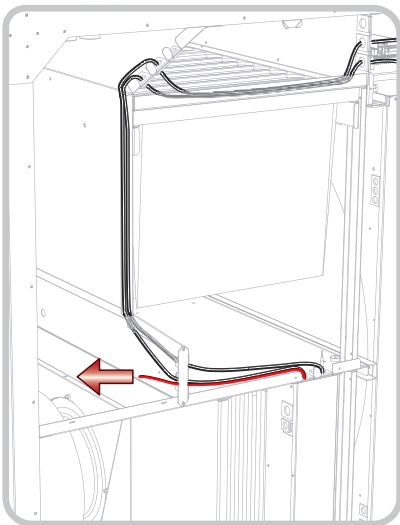
S100R
S140R



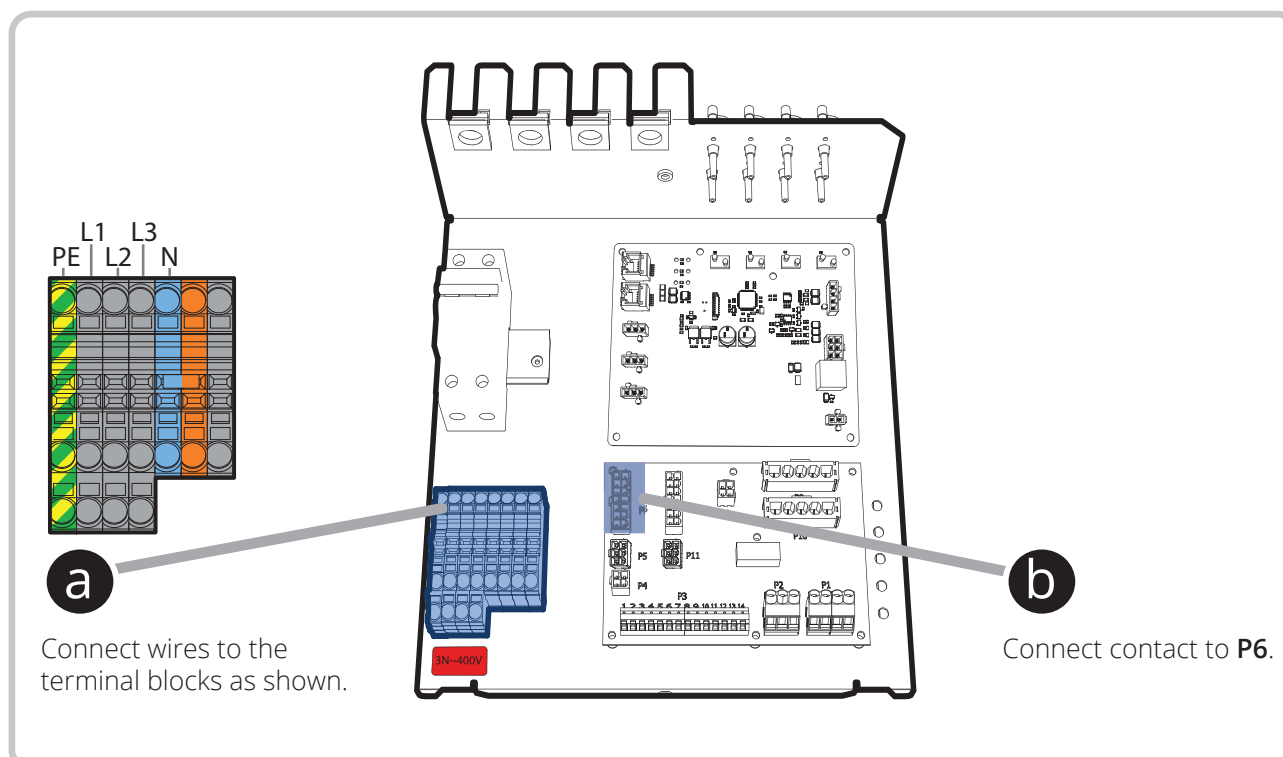
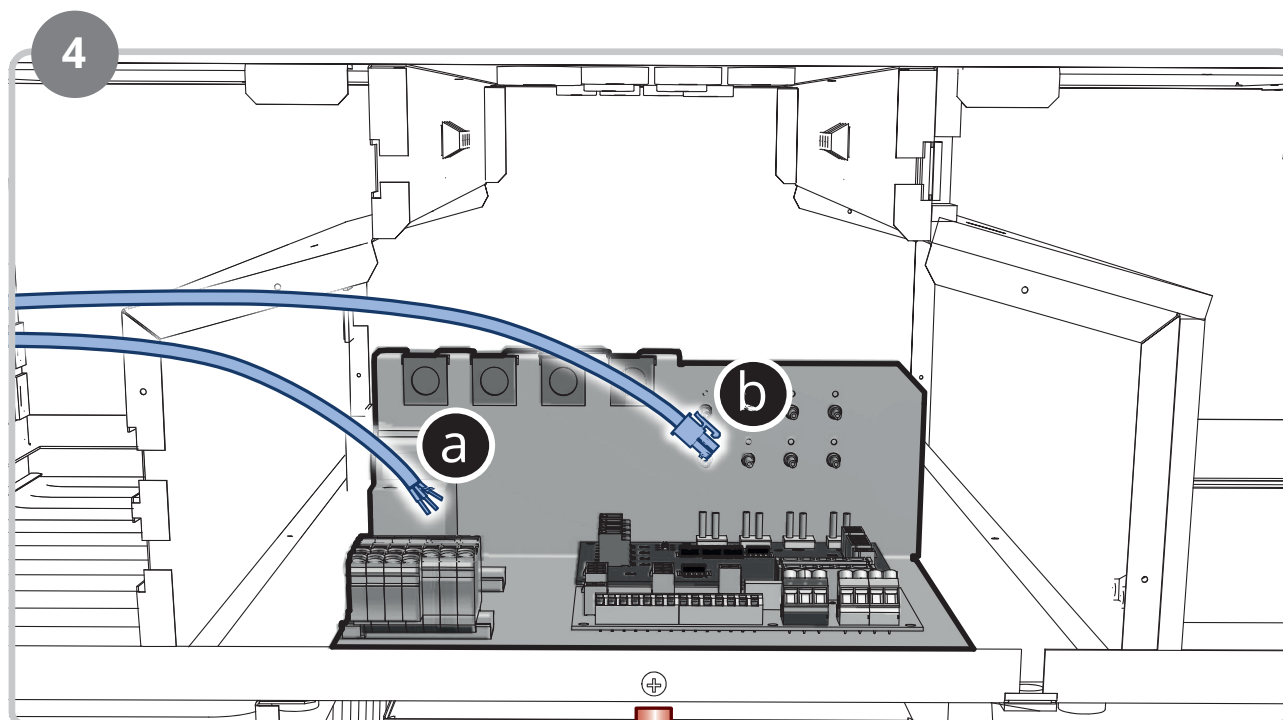
S180R
S220R



S240R
S260R

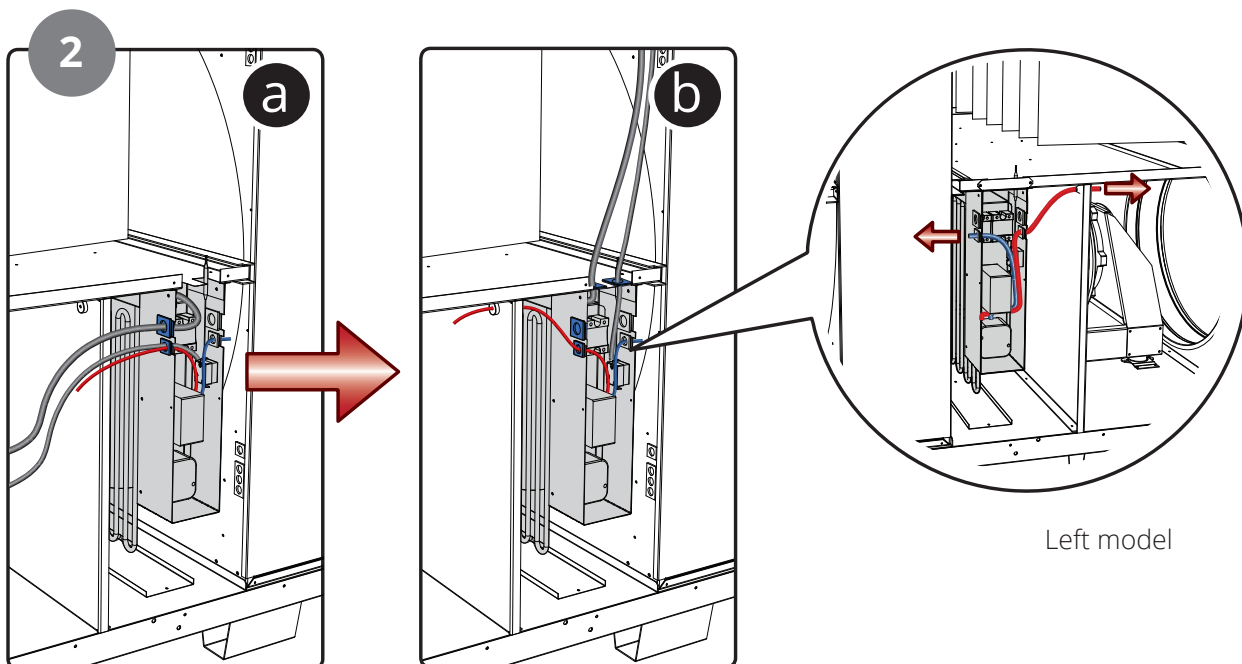
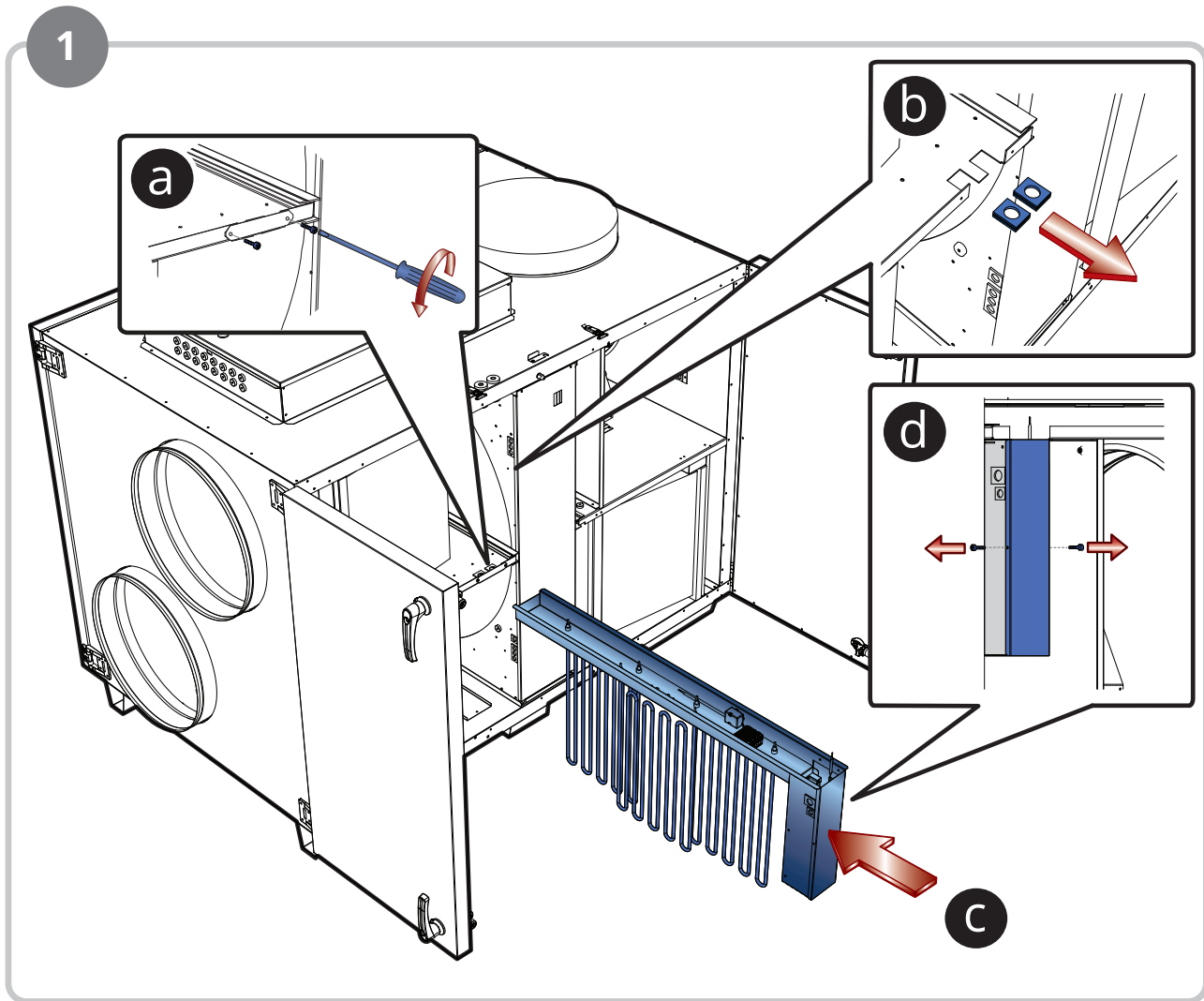


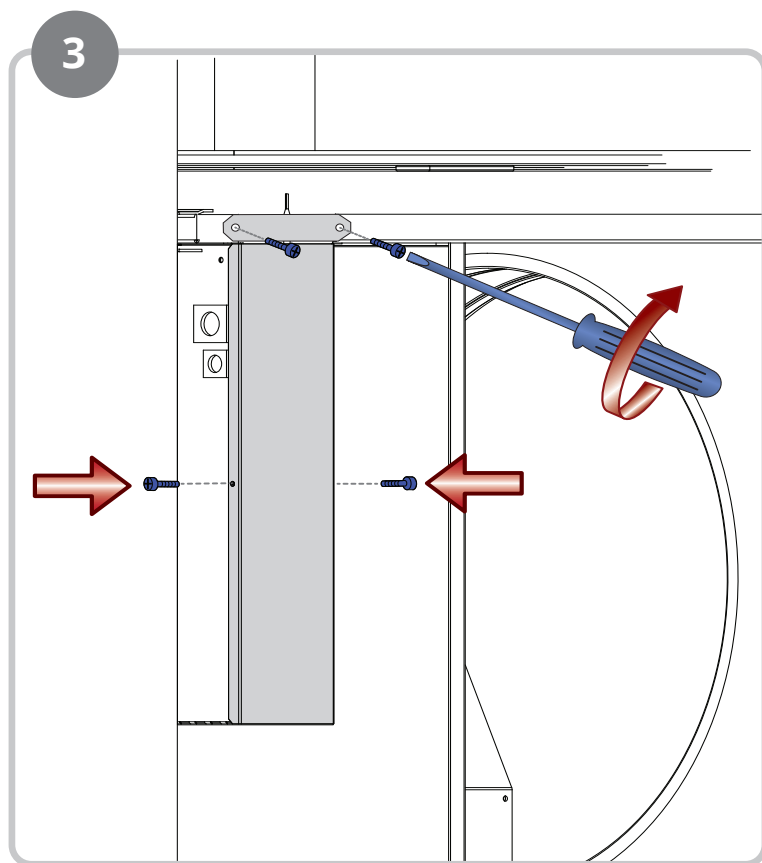
CAUTION! Red pressure hose should always go into the fan section.



i **INFO!** Refer to wiring diagram 118109 for more information.

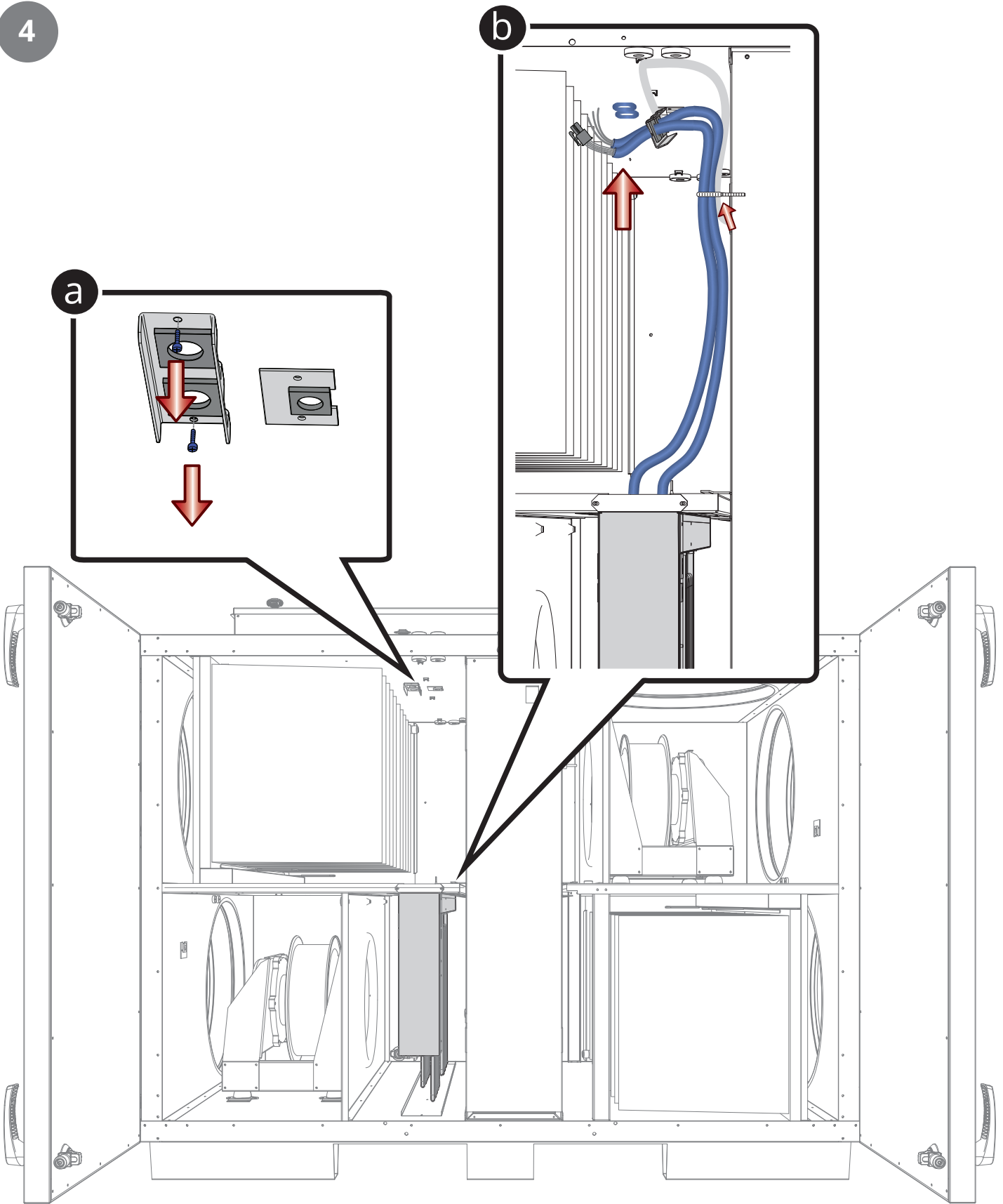
3. L110R, L150R, L190R, L230R, L270R



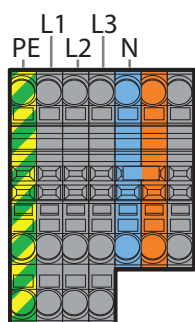
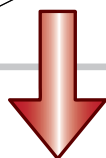
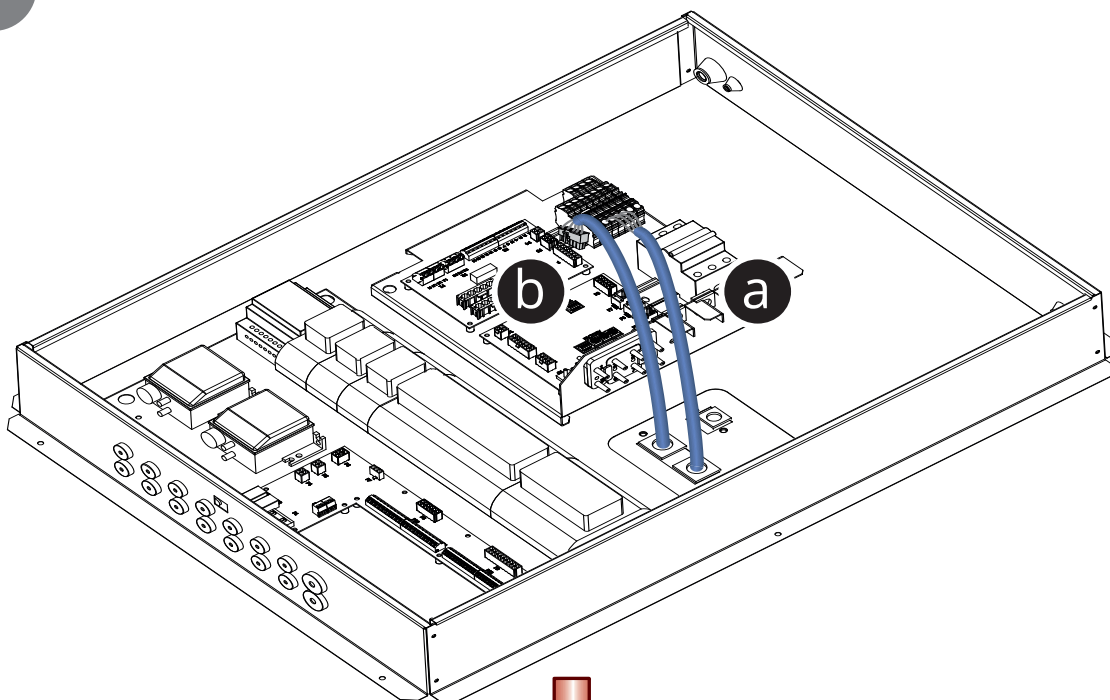


CAUTION! Red pressure hose should always go into the fan section.

4

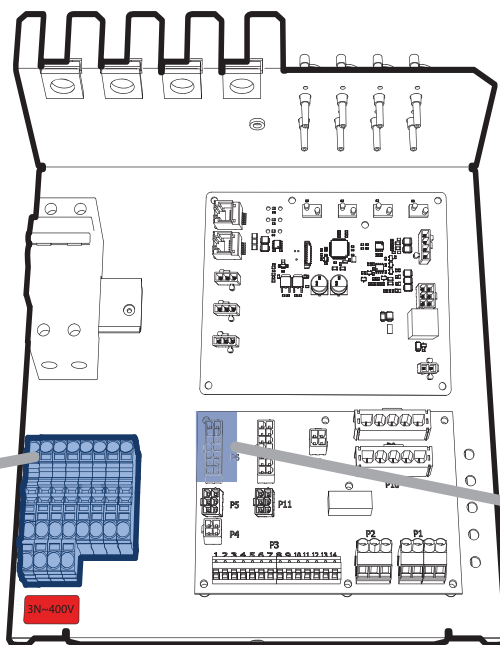


5



a

Connect wires to the terminal blocks as shown.



b

Connect contact to P6.



INFO! Refer to wiring diagram 118539 for more information.

4. Configuration

Proceed as follows with the handheld terminal to configure the unit for the electric heating coil:

Press and hold the menu wheel until the login menu appears. Log in with the password 2000. Then go to:

Start page > Quick menu > Commissioning > Config. After Heater > Type of heating > Electric heating

After making a change, a restart is required.

Start page > Quick menu > Commissioning > Config. After Heater > Restart required! > Execute





Flexit AS, Televeien 15, N-1870 Ørje
www.flexit.no