

ROOF CURBS

ROOF CURB, TFU

The acoustic roof curb TFU is intended to be used together with the roof fans TKS and TKV/TKH.

The acoustic roof curb TFU is manufactured from galvanized steel sheet and has a sound absorbing insulation, the face of which is coated for ease of cleaning. TFU 300-400 has 50 mm and TFU 560-760 has 120 mm rock wool.

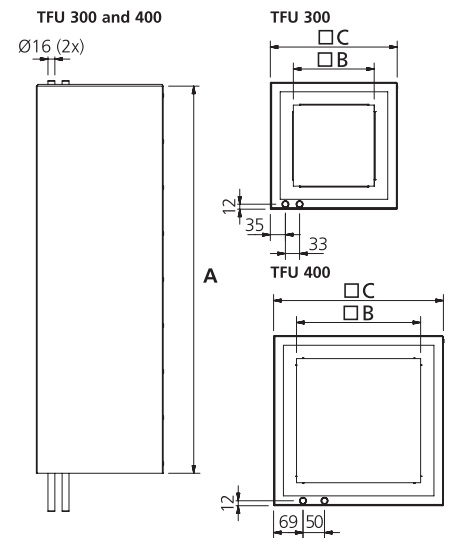
TFU 960 has 120 mm rock wool + 50 mm mineral wool insulation. A plastic conduit for the power cable is included as standard.

- TFU 300-400 is available in two lengths, 600 and 900 mm.
- TFU 560-660 is available in the lengths 900 and 1200 mm.
- TFU 760-960 in the length 1200 mm.

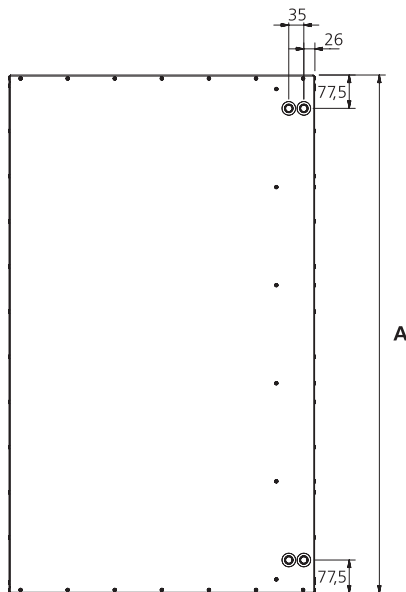


DIMENSIONS (mm)

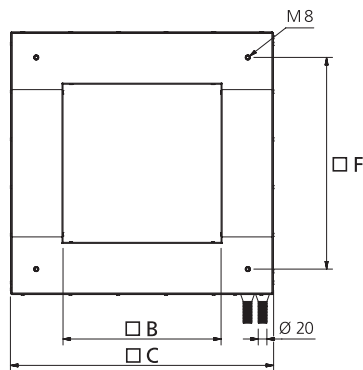
Type	A	□B	□C	D	E	□F	Weight (kg)	Art. no.
TFU 300x 600	600	188	295				10	8200003
TFU 300x 900	900	188	295				15	8200004
TFU 400x 600	600	289	395				14	8200005
TFU 400x 900	900	289	395				20	8200006
TFU 560x 900	905	268	512			392	41	8200105
TFU 560x1200	1205	268	512			392	53	8200106
TFU 660x 900	905	368	612			492	50	8200107
TFU 660x1200	1205	368	612			492	64	8200108
TFU 760x1200	1205	467	712	472	586		75	8200109
TFU 960x1200	1205	567	912	672	786		105	8200110



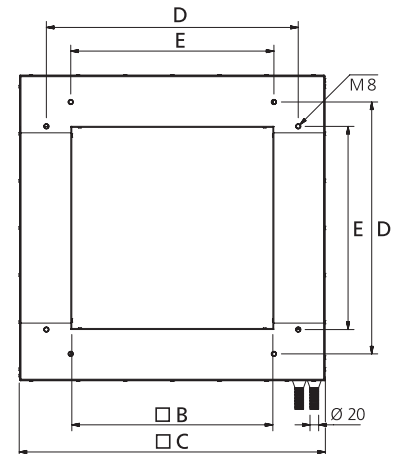
TFU 560 to 960



TFU 560 and 660



TFU 760 and 960



ROOF CURBS

DIMENSIONS (mm)

Type	□ A	Ø	Weight (kg)
TFU 300	288	160	0.7
TFU 400	388	160	1.3
TFU 400	388	200	1.2
TFU 400	388	250	1.1
TFU 560	440	315	1.6
TFU 660	540	400	2.2
TFU 760	630	500	2.7
TFU 960	830	630	4.4



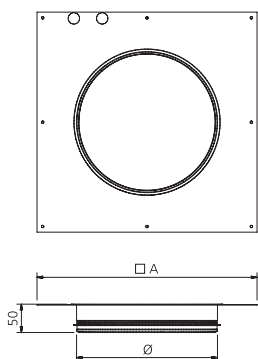
CONNECTION PLATE FOR TFU

Connection plate with circular connection made from galvanized steel sheet. Available for all sizes of TFU.

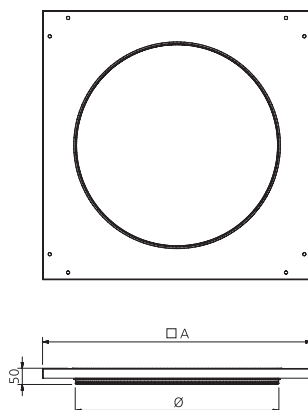
Type	Art. no.
Connection plate TFU 300 med rör 160	8200041
Connection plate TFU 400 med rör 160	8200044
Connection plate TFU 400 med rör 200	8200045
Connection plate TFU 400 med rör 250	8200042
Connection plate TFU 560 med rör 315	8200117
Connection plate TFU 660 med rör 400	8200118
Connection plate TFU 760 med rör 500	8200119
Connection plate TFU 960 med rör 630	8200120

DIMENSIONS (mm)

300-400

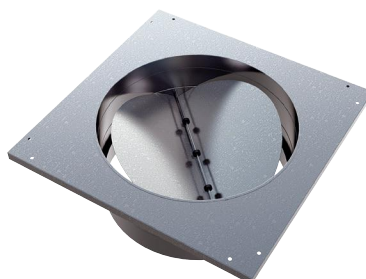


560-960



DIMENSIONS (mm)

Type	□ A	Ø	B	Weight (kg)
TFU 300	288	146	160	1.0
TFU 400	388	185	250	2.0
TFU 560	440	186	315	2.8
TFU 660	540	256	400	3.9
TFU 760	630	306	500	5.9
TFU 960	830	306	630	8.4



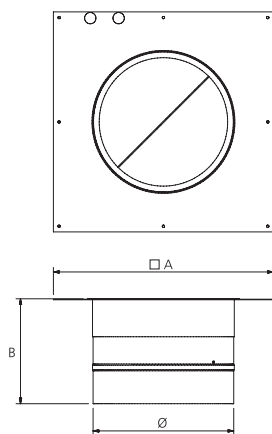
BACK DRAUGHT SHUTTER FOR TFU

A back draught shutter mounted on galvanized steel sheet. Available for all sizes of TFU.

Type	Art. no.
Back draught TFU 300	8200111
Back draught TFU 400	8200112
Back draught TFU 560	8200113
Back draught TFU 660	8200114
Back draught TFU 760	8200115
Back draught TFU 960	8200116

DIMENSIONS (mm)

300-400



560-960

