

Exhaust arm

CERA Exhaust arm

Geovent CERA arm provides a non-contact and efficient exhaust gas extraction.

The arm is mounted in a Channel Duct and can be moved across or along the workshop.

The arm can be rotated 360 degrees and adjusted in several joints so that it can be positioned precisely in relation to the exhaust pipe of the car.

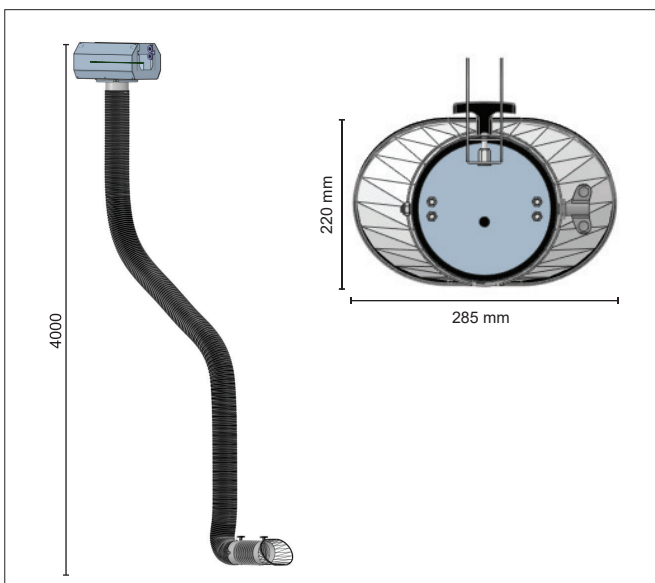
When mounting the channel duct take into consideration that the arm must be able to reach the exhaust pipe of small cars.

See also Channel Duct data sheet for more options and details.



CERA Exhaust arm

Dimensions



Ordering table

Art. No.	Description
07-470	CERA Exhaust arm \varnothing 160 mm
07-420	Hose trolley type 30
07-400	Channel duct - see separate data sheet