

Flexit S3 RK

Art.no.	Type
14012	S3 RKEL
14013	S3 RKER



CI 50 Control Panel included in all units (with 12 m cable).

Kitchen hood for installation, S3 RK mod.:

Art.no.	Type
13756	Brasserie-KL, white
13754	Brasserie-KR, white
13757	Brasserie-KL, steel
13755	Brasserie-KR, steel
55678	Air flow rate, l/s equipment, white
55679	Air flow rate, l/s equipment, steel



	S3 RK
Rated voltage:	230V/50Hz
Fuse:	10A
Rated current, total:	5,5A
Rated power, total:	1271W
Rated power, electric battery:	900W
Rated power, fans:	2 x 165W
Rated preheating power:	-
Fan type:	F-wheel
Fan motor control:	Transformer
Max. fan speed:	2230rpm
Automatic, standard:	CS 50
Filter type (SUP/EXTR):	F7/F7
Filter dimensions SUP (WxHxD):	285x130x50mm
Filter dimensions EXTR(WxHxD):	285x130x50mm
Weight:	38,5 kg (without kitchen hood)
Duct connection:	Ø125mm (127mm female)
Duct connection:	Ø125mm
Height:	700mm (without kitchen hood)
Width:	598mm
Depth:	320mm

Flexit S3 RK

Accessories



Filter Set

Art.no.
12328



CI 50 Control Panel

Art.no.
09380



CI 50 Additional box
for for surface mounting

Art.no. Type
09381 silver
09382 white



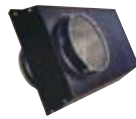
CI 500 Control Panel

Art.no.
09385



SP 450 Motion Detector

Art.no.
09390

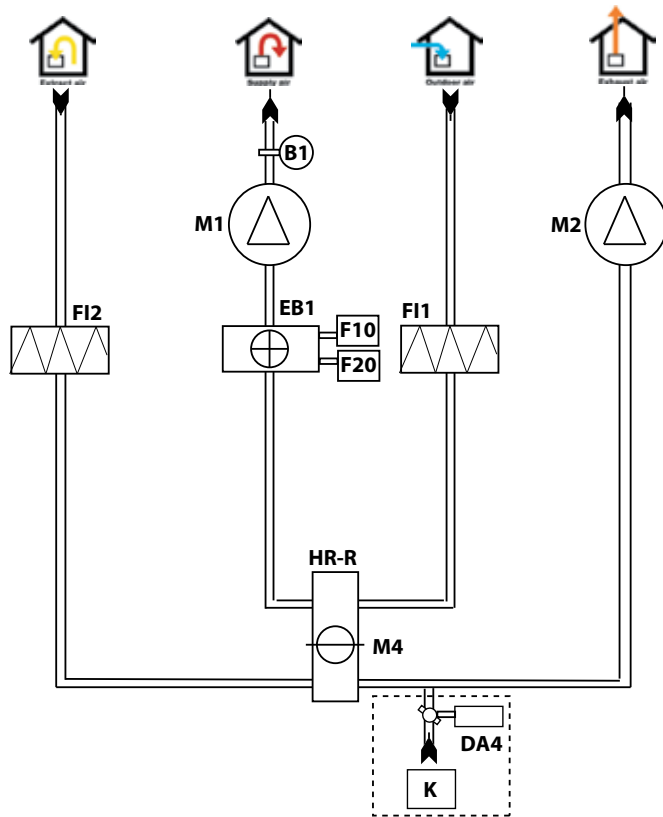


Combi. Unit

Art.no. Type
00801 2xØ125mm, white
00802 2xØ125mm, black
00797 2xØ160mm, black
00798 2xØ160mm, white

Flexit S3 RK

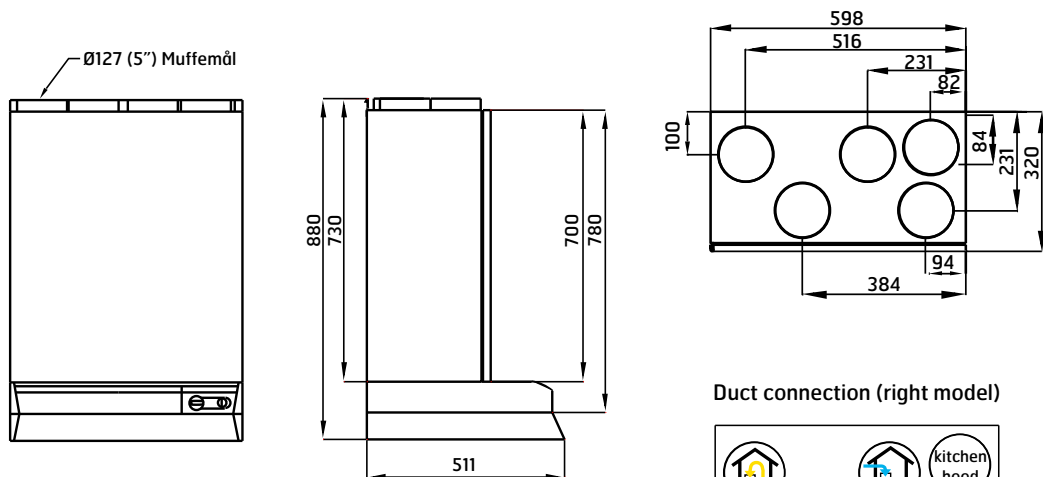
System Drawing



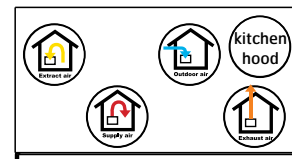
- B1 Supply air temperature sensor
- EB1 **Electric heating battery**
- F10 Overheating thermostat, manual reset
- F20 Overheating thermostat, automatisk reset
- F11 Supply air filter
- F12 Extract air filter
- M1 Supply Airfan
- M2 Extract air fan
- HR-R Rotating heat exchanger
- M4 Rotor motor
- K Kitchen hood
- DA4 Damper, kitchen hood

Dimensioned Drawing (right model)

Dimensions in mm

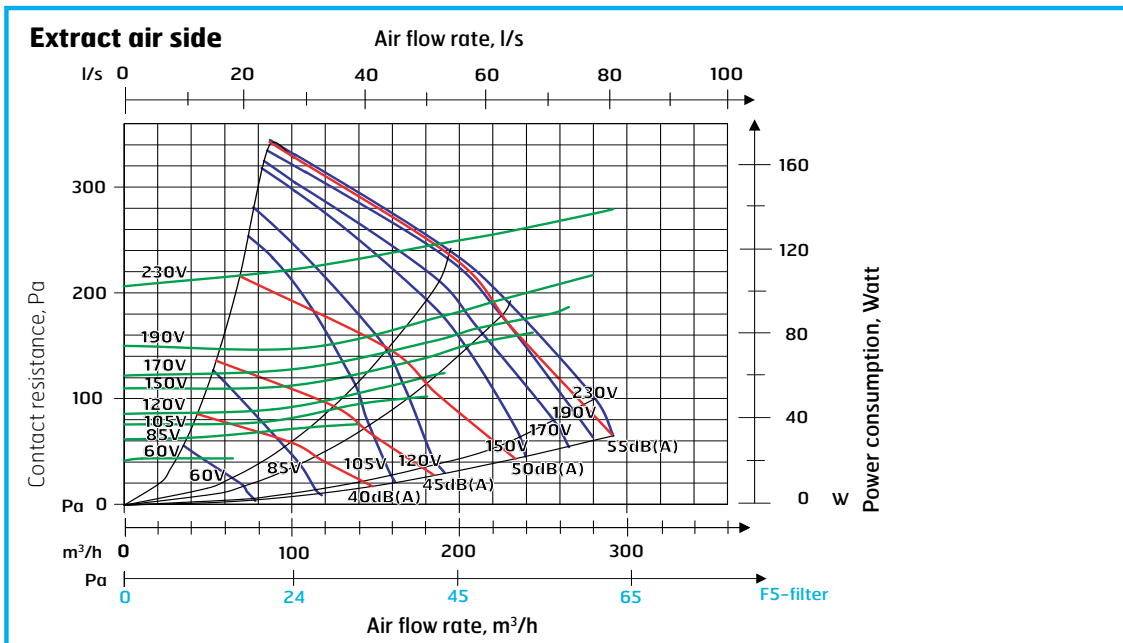
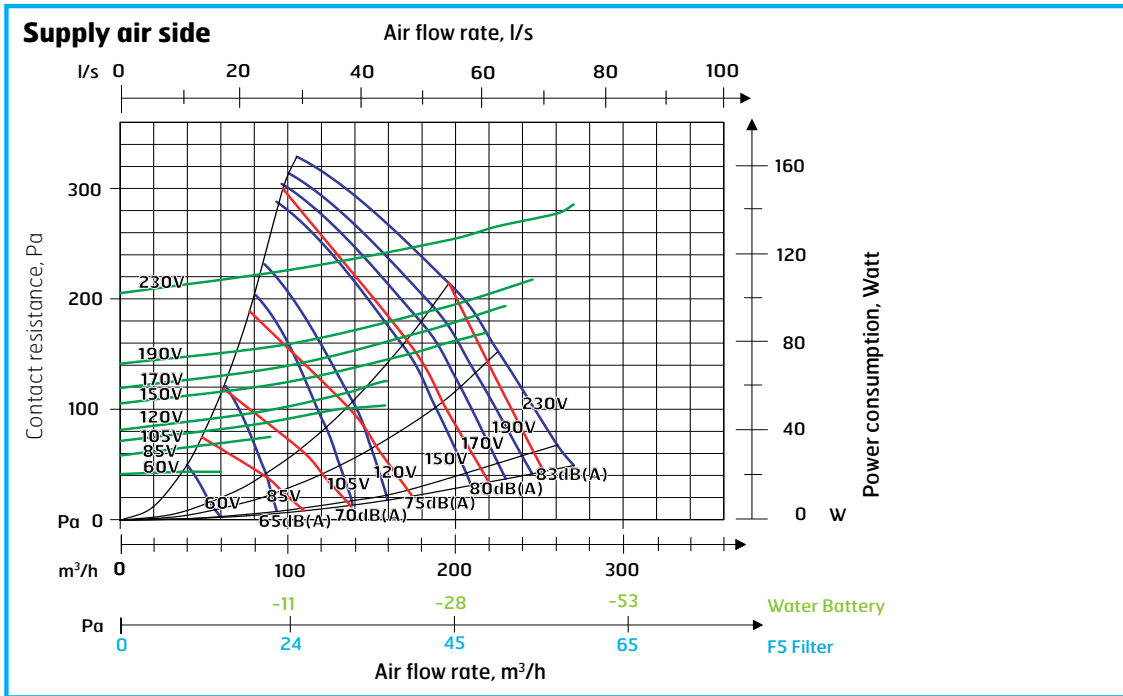


Duct connection (right model)



Flexit S3 RK

Capacity Diagram S3 RK (measured with F7 filter)



Sound data is given at sound power level L_wA in the capacity diagrams and is corrected with the table below for the various octave bands. Radiated noise produces L_w in the various octave bands and total L_wA. Radiated noise is calculated by taking the noise value from the supply air table and deducting the total value from the correction factor table.

Correction factor for L _w									
Hz	63	125	250	500	1000	2000	4000	8000	Total L _w A
Supply air	3	2	-2	-5	-5	-6	-13	-29	
Extract air	18	14	1	-12	-14	-28	-37	-43	
Radiated	-47	-42	-40	-43	-44	-45	-49	-57	-38,7

Supply air data is measured in accordance with ISO 5136, the induct method. Radiated noise is measured in accordance with ISO 9614-2. Bruel & Kjaer measuring equipment, type 2260.

Blue curves: Air capacity at various capacity settings in Volt.

Green curves: Supply air fan power consumption at various capacity settings.

Red curves: Sound power level L_wA, cf. correction table.

Light blue correction axis: Pressure increase using an EU-5 filter.

Light green correction axis: Pressure increase using water battery.