

Plastic fans

RPV, LPV and MPV 125 - 456

GEOVENT Plastic Fans type RPV, LPV and MPV is a serie of acid proof plastic, designed for for extraction of gases and fumes from highly corrosive processes.

For instance lab fume hoods, battery rooms, washers and chemical processes etc. The fans are cast in polypropylene/polyethylene, which provides maximum protection against acid and corrosion.

Air Flows up to 6.750 m³/h and static pressure up to 1.700 Pa.

Construction:

The housing is cast in Polypropylene.

The wheel is cast in Polypropylene with backward curved blades.

The motor console is made of powder-coated sheet metal.

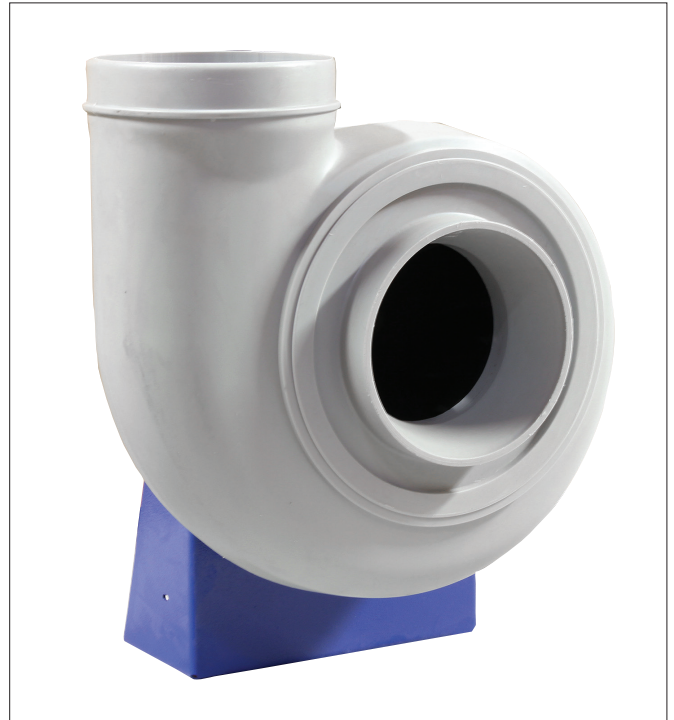
Nuts and bolts are in stainless steel.

The motor is a direct drive asynchronous motor. Default is 3-phases (3x400V 50Hz), but is available in 1x230V 50Hz.

The Plastic Fan is available in ATEX for Zone 2/22 in accordance with directive 2014/34/EU, earlier 94/9/EC.

By default, the fan is supplied as RD0. Upon request, it is available as LG in the positions 315°, 0° and 45°

Temperature of the extracted air up to 70°C.

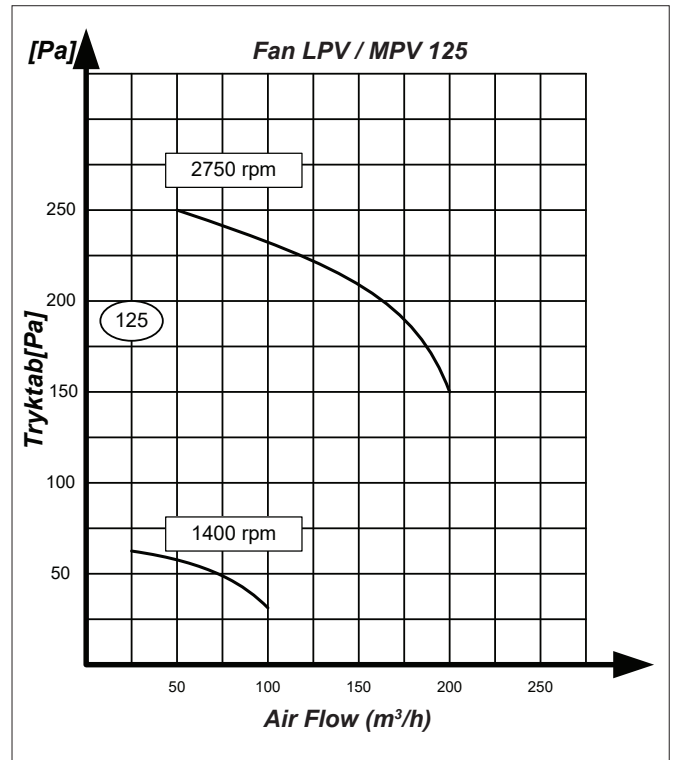
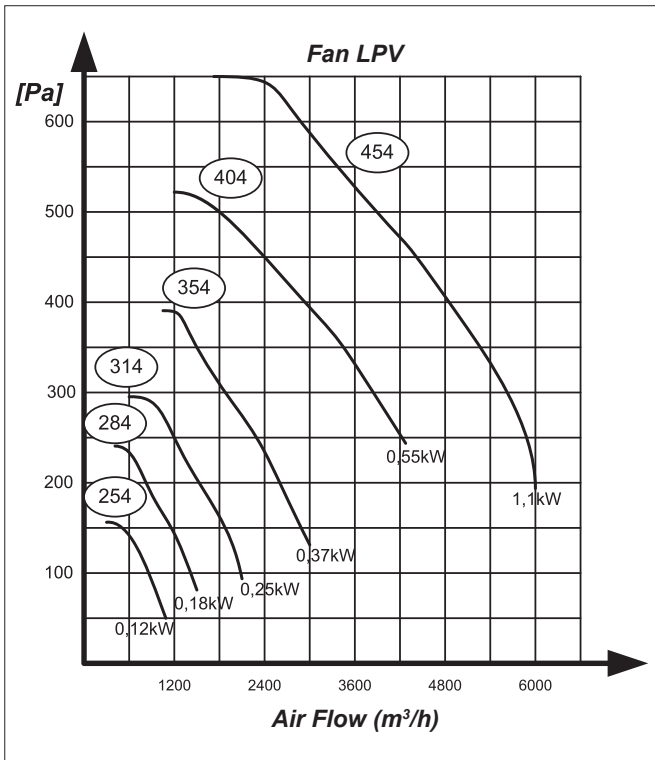
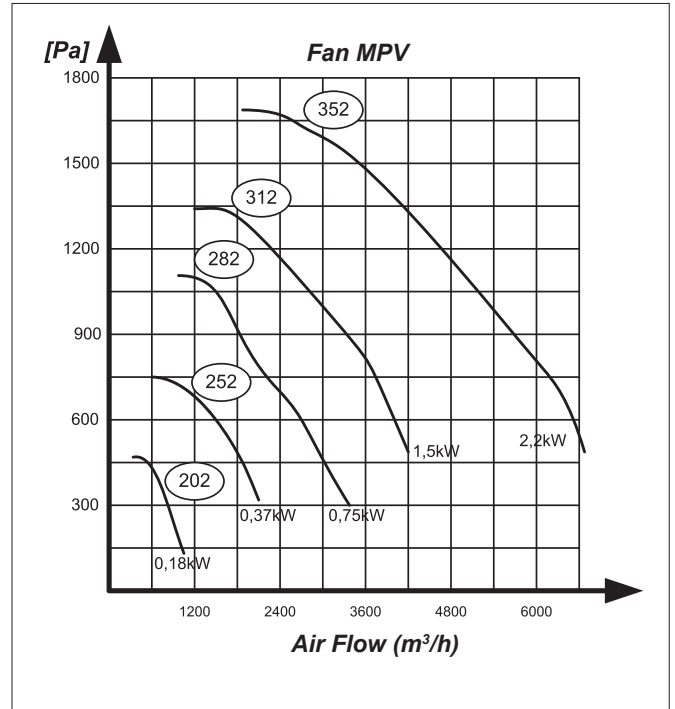
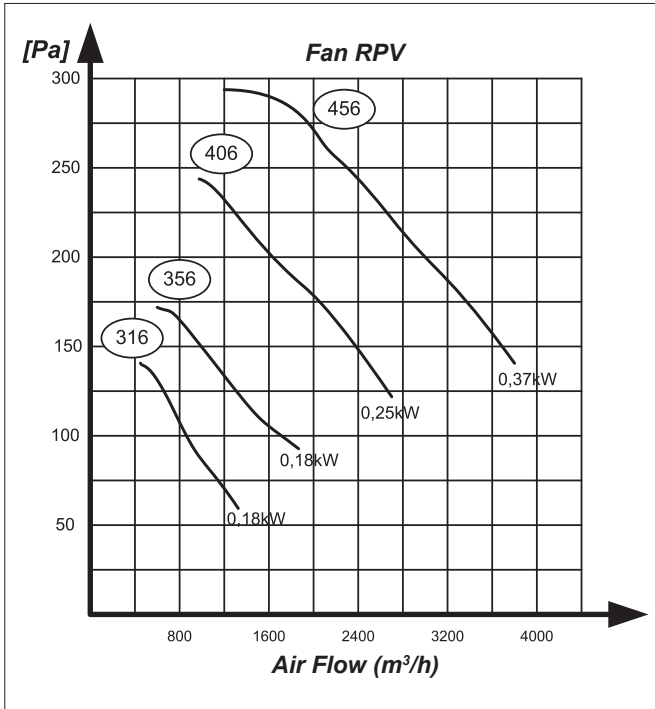


Plastic Fans

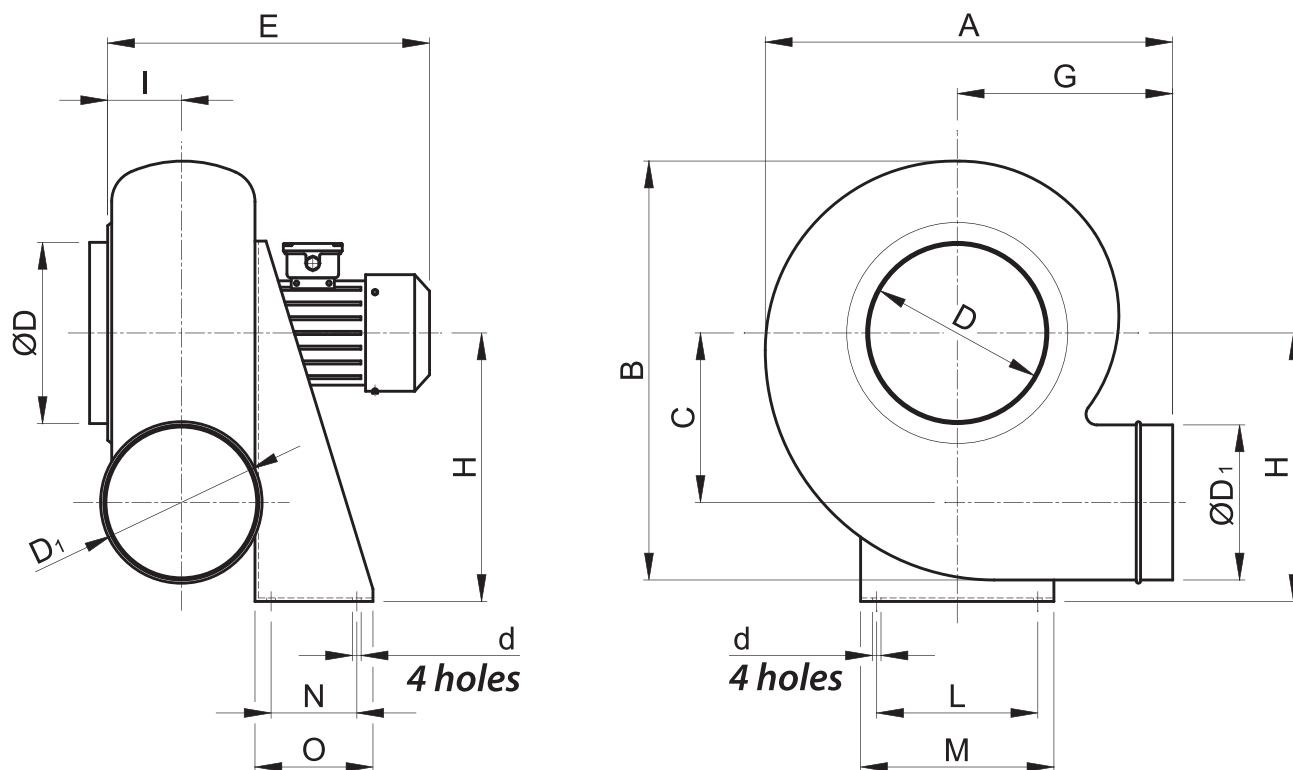


Plastic Fans, seen from the back

Pressure drop



Measures LPV, MPV and RPV 456



Type	A	B	C	E	G	H	I	D	D1	L	M	N	O	d
MPV 202	398	370	140	340	218	250	75	160	160	195	245	100	150	10
MPV 252	478	465	183	390	250	310	90	200	200	252	302	100	150	10
LPV 254	478	465	183	370	250	310	90	200	200	252	302	100	150	10
MPV 282	555	520	208	422	300	350	95	225	225	277	327	120	170	10
LPV 284	555	520	208	380	300	350	95	225	225	277	327	120	170	10
MPV 312	600	580	240	445	320	410	100	250	250	315	365	150	200	10
LPV 314	600	580	240	410	320	410	100	250	250	315	365	150	200	10
MPV 352	552	640	260	490	340	445	110	280	280	345	395	150	200	10
LPV 354	652	640	260	430	340	445	110	280	280	345	395	150	200	10
LPV 404	726	723	290	472	374	495	120	315	315	465	515	170	220	10
RPV 406	726	723	290	450	374	495	120	315	315	465	515	170	220	10
LPV 454	792	810	324	510	400	550	133	355	355	510	560	170	220	10
RPV 316	600	580	240	410	320	410	100	250	250	315	365	150	200	10
RPV 356	652	640	260	430	340	445	110	280	280	345	395	150	200	10
RPV 406	726	723	290	450	374	495	120	315	315	465	151	170	220	10
RPV 456	792	810	324	497	400	550	133	365	355	510	560	170	220	10

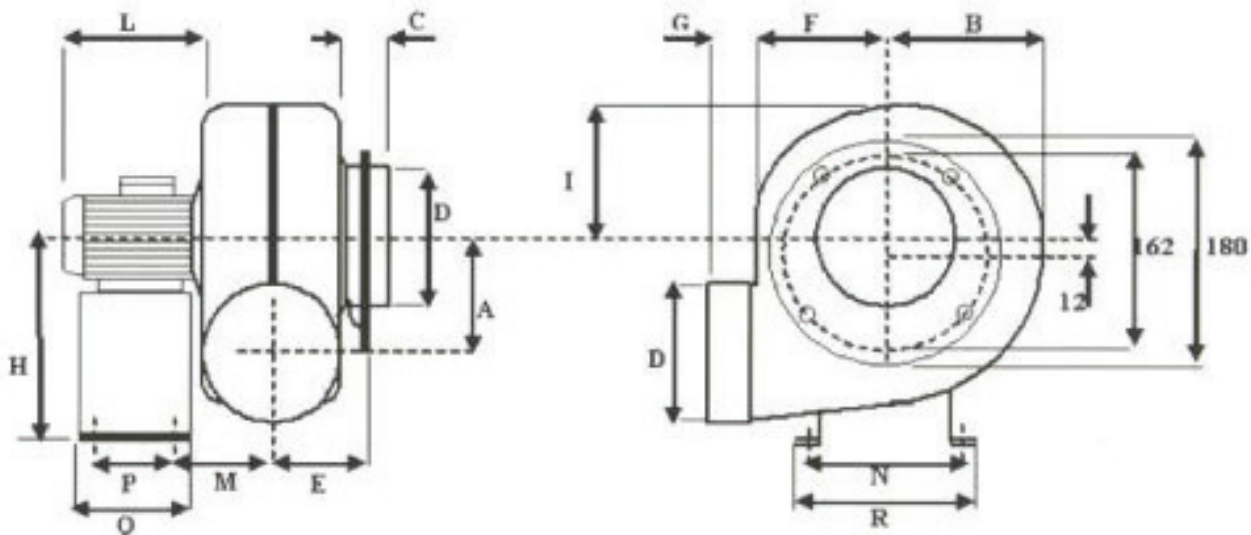
Tabel

Art. No.		[kW]	[A]	[rpm]	Max [m ³ /h]	Max [Pa]
38-100	LPV-124-3	0,09	0,37	1.500	100	60
38-101	LPV-124-1	0,09	0,85	1.400	100	60
38-102	MPV-122-3	0,12	0,40	2.800	175	280
38-103	MPV-125-1	0,12	0,95	2.800	175	280
38-103X	MPX-125-1	0,12	0,38	2.800	175	280
38-104X	LPX-125-1	0,12	0,16	1.400	100	60
38-106	MPV 202	0,18	0,49	2.750	1.080	470
38-108	LPV 254	0,12	0,42	1.370	1.080	160
38-110	MPV 252	0,37	0,87	2.820	2.100	750
38-112	LPV 284	0,18	0,58	1.370	1.500	240
38-114	MPV 282	0,75	1,66	2.820	3.360	1.100
38-116	LPV 314	0,25	0,8	1.400	2.100	290
38-118	MPV 312	1,5	3,15	2.850	4.260	1.320
38-120	LPV 354	0,37	1,13	1.400	3.000	380
38-122	MPV 352	2,2	4,4	2.870	6.720	1.700
38-124	RPV 406	0,25	1	920	2.700	240
38-126	LPV 404	0,55	1,75	1.420	4.260	520
38-130	RPV 456	0,37	1,25	920	3.780	290
38-132	LPV 454	1,1	2,6	1.420	6.000	650

All plastic fans are available in 1-phase versions and to ATEX zone 2-22 - Ask for prices.



Measures LPV / MPV 125



Type	Size	kW	Rpm	A	B	C	D-ø	E	F	G	H	I	L	M	N	P	Q	R	S	Kg
LPV125	56	0,09	1400	75	98	35	75	66	73	85	130	88	170	77	170	100	130	200	11	5,5
MPV125	56	0,12	2750	75	98	35	75	66	73	85	130	88	170	77	170	100	130	200	11	5,5

LPV/MPV 125 is a special fan, which advantageously can be used in the fume / chemical cabinets since it provides a very low pressure and airflow. The fan is also available in ATEX execution, called MPX / LPX.

We have the LPX 125, 1x230V, 50Hz in Stock.

Exhaust air

