

Fan

MHF - 400/500

Geovent MHF is a centrifugal fan with backward curved closed B-impeller and direct driven motor.

MHF fan is used for industrial process ventilation.

Strong pressure fan, which is suitable for reduced air-flow, rates at relatively high pressure.

For example, use MHF in connection with sanding dust.

Suitable for PID / constant pressure regulation.

The fan is made of galvanized steel and is therefore suitable for outdoor installation on a roof or wall.

For MHF fan Geovent offers a variety of accessories consisting of among others flex connections, mounting brackets, rain shield, motor protection, pressure guard and sound box.

MHF fan comes standard with vibration damping underpin, inlet nozzle with a net and flange for mounting the outlet flange.

Airflow rates up to 4000 m³/h

Press up to: 11.000 Pa using the a frequency converter

Electrical Data / Other Data / Features

Engine: Direct drive with B5 flange motor protection class IP 55

Voltage: 3x400V / 50 Hz

MHF-400: Q = 1.000 m³/h at 1.700Pa

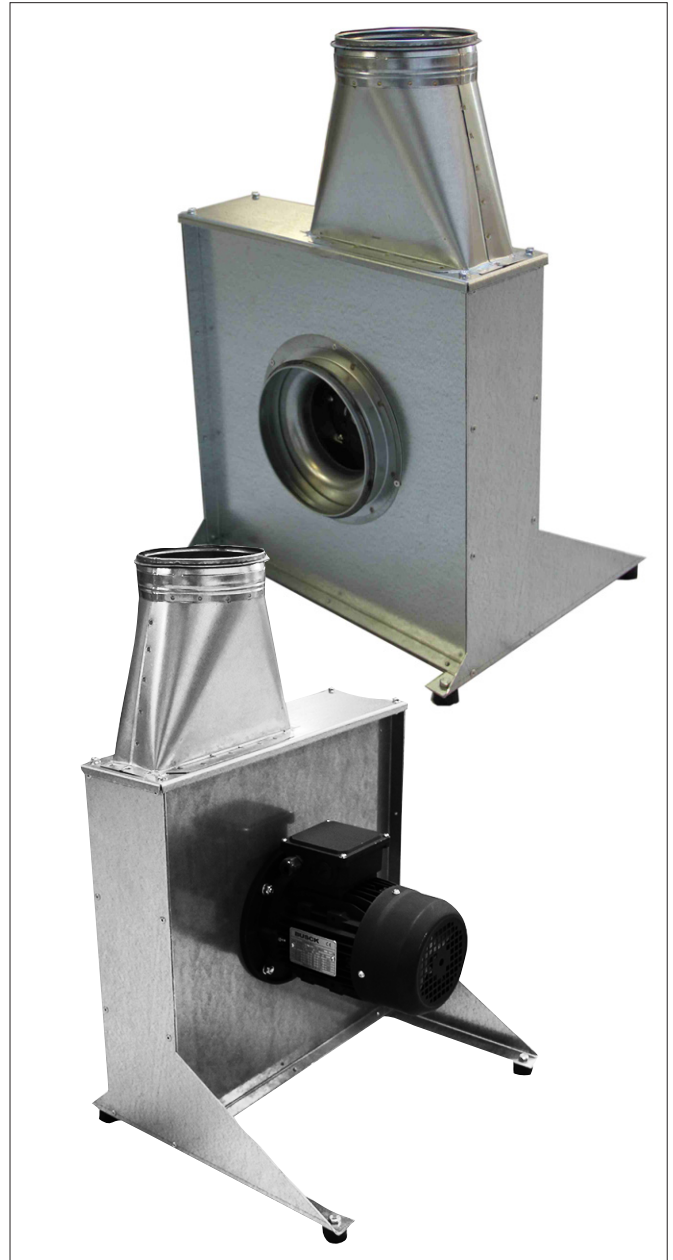
MHF-500: Q = 1.000 m³/h at 3.800Pa

HOUSE: Made of hot galvanized sheet metal. All screws and bolts are galvanized. Incl. bear feet with vibration dampers, inlet nozzle with net and chucking equipment for mounting the outlet flange.

Temperature range

Ambient temperature: + 40° C

Temperature exhaust air: + 80° C

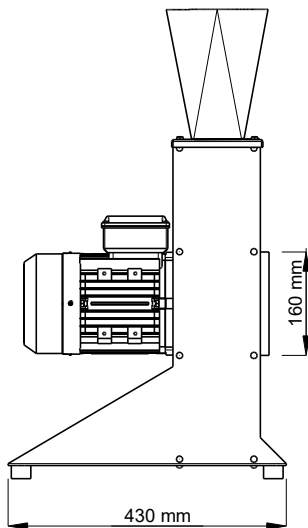
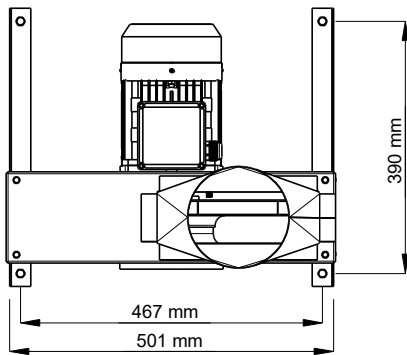
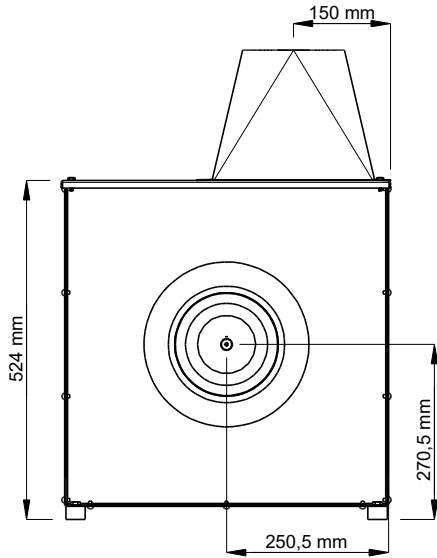


Audio data

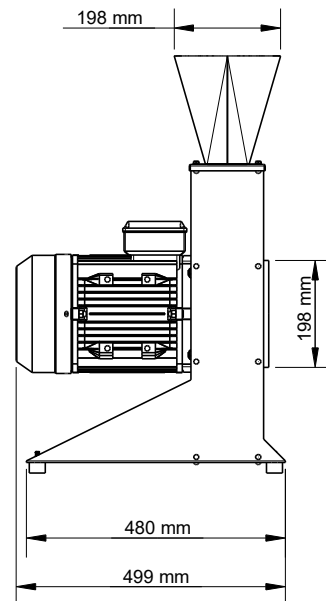
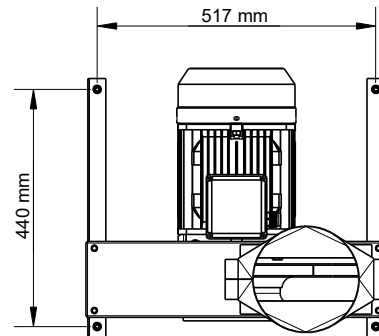
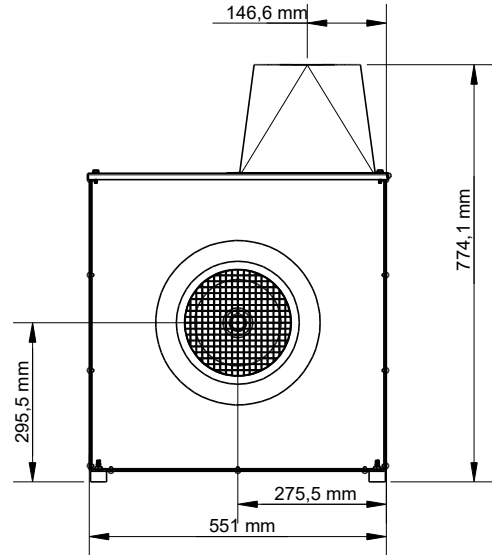
MHF-400 = 86dB (A)

MHF-500 = 93dB (A)

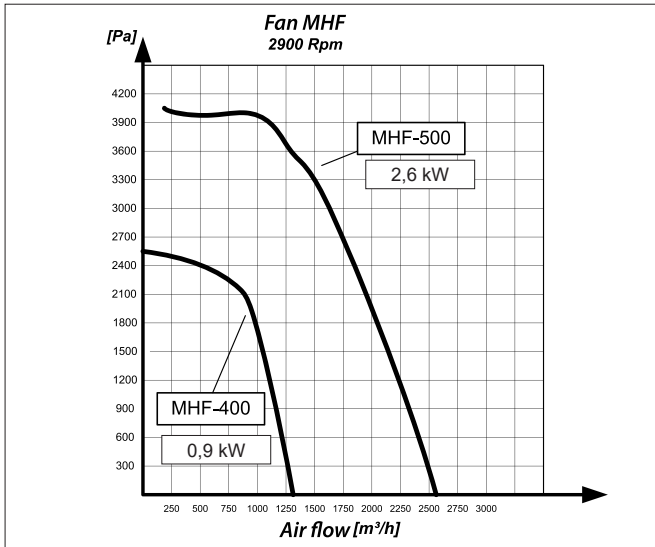
Dimensions MHF-400



Dimensions MHF-500



Pressure drop



Pressure drop

