

Extraction Arms

COMPACT arm $\varnothing 160$ and $\varnothing 200$ mm

Geovent Compact-arm is the perfect extraction solution, when the room height is low at the working place, e.g. in welding boxes. The compact arm gives with its telescope function the perfect balance between larger arm's suck capacity and smaller arm's smooth operation. When the work is done – you push the arm up and away, and therefore it requires a minimum of space. The arm is mainly used for welding of smaller subjects, where the time and space are scarce.

The arm is supplied ready for mounting the ceiling (360° turn able) or at the wall (wall bracket necessary), with separate fan or for central system.

The arm can be extended up to 7 m by means of extension arms.

Description

Ceiling bracket - 360° turn able: Steel console in powder enamel with brass bearing and VA rubber packing ring.

Hood: Light weight hood in $\varnothing 160$ or $\varnothing 200$ mm. The hood is equipped with an integrated ergonomic handle. Covered in powder enamel yellow RAL1007.

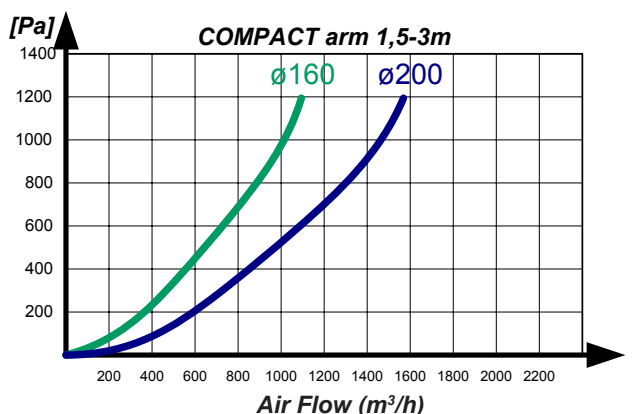
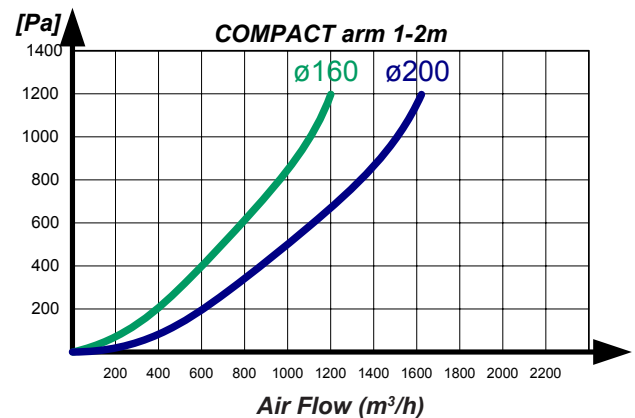
Arm: Aluminum profiles with tension springs and sliding bearing.

Hose: Black P2A1000 in strong PVC/ polyester web with steel spiral. Temperature from -40°C to $+100^{\circ}\text{C}$.



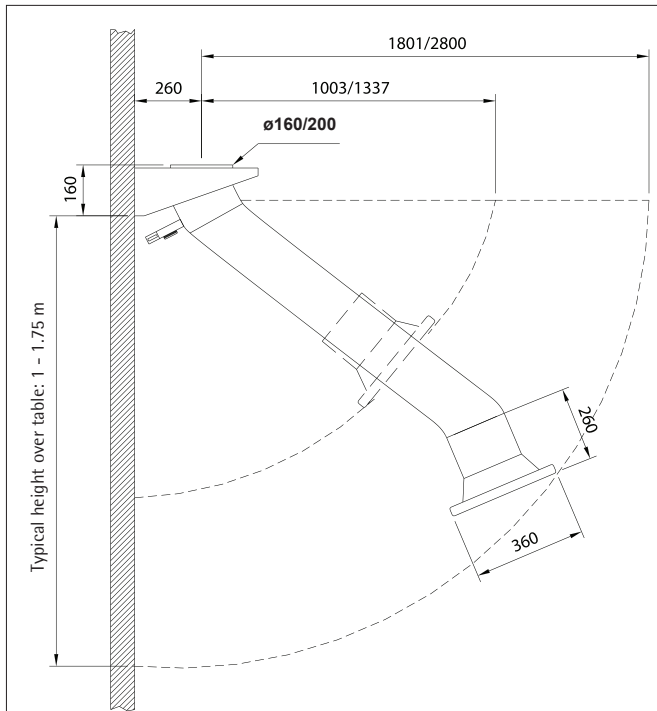
COMPACT arm

Pressure drop

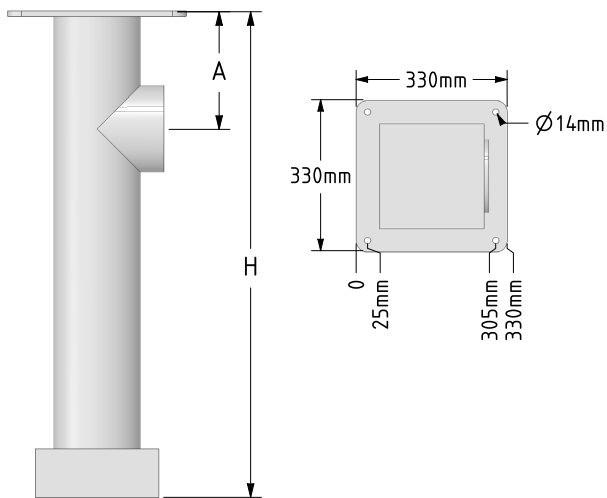


Compact arm 1-2m installed and including automatic control devices for automatic start/stop of the fan and motor damper.

Dimensions



Ceiling console



White COMPACT arm, customized design.

Ordering table

Art. No	Description
01-700	COMPACT arm 1 - 2 m telescopically $\varnothing 160$ mm
01-706	COMPACT arm 1,5 - 3 m telescopically $\varnothing 160$ mm
01-701	COMPACT arm 1 - 2 m telescopically $\varnothing 200$ mm
01-707	COMPACT arm 1,5 - 3 m telescopically $\varnothing 200$ mm

Accessoris COMPACT armen

Art. No	Description
12-008	Air tight damper $\varnothing 160$ mm
12-009	Air tight damper $\varnothing 200$ mm
01-540	Wall bracket $\varnothing 160$ mm
01-541	Wall bracket $\varnothing 200$ mm
01-550	Extension 1m $\varnothing 160$ mm
01-550A	Extension 1m $\varnothing 200$ mm
01-130	Extension 2,5m $\varnothing 160$ mm
01-130A	Extension 2,5 m $\varnothing 200$ mm
01-131	Extension 4,0m $\varnothing 160$ mm 2 joints
01-132	Extension 4,0m $\varnothing 200$ mm 2 joints
01-138	Extension 4,0m $\varnothing 160$ mm 1 joints
01-139	Extension 4,0m $\varnothing 200$ mm 1 joints
01-160	Ceiling consol $\varnothing 160$ mm, lengths 0,4 - 1,2 m.
01-161	Ceiling consol $\varnothing 160$ mm, lengths 1,2 - 2,4 m.
01-162	Ceiling consol $\varnothing 200$ mm, lengths 0,4 - 1,2 m.
01-163	Ceiling consol $\varnothing 200$ mm, lengths 1,2 - 2,4 m.

