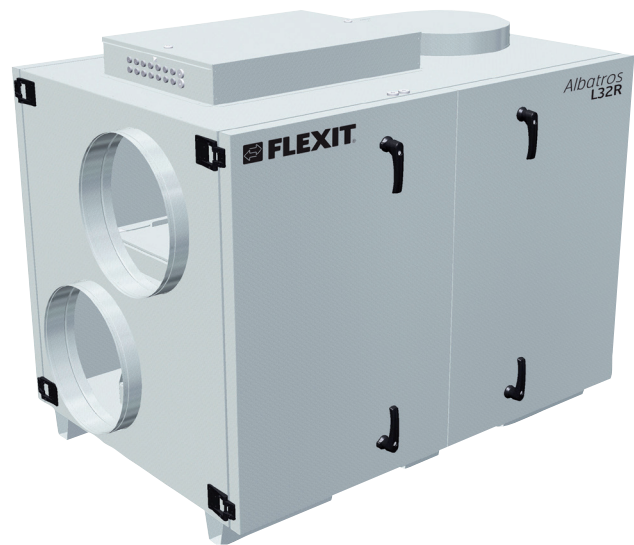


## Air handling unit *Albatros* **L32 R**

- Flexibel – impossible to order incorrectly
- Energy efficient
- Low noise level



### **Full flexibility. Easy adaptation to different applications.**

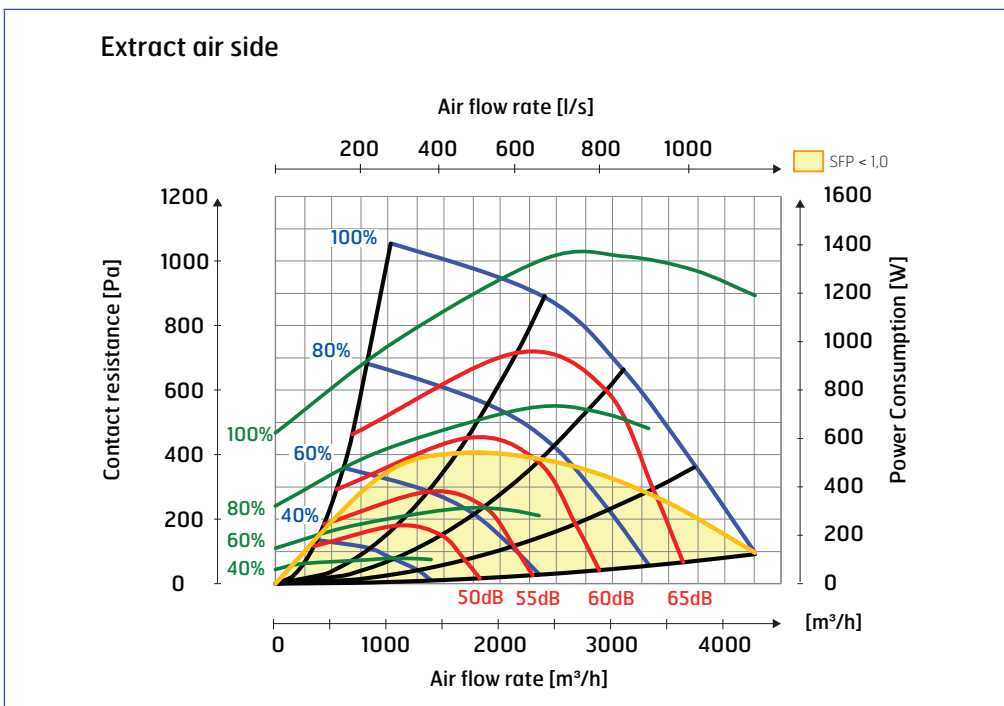
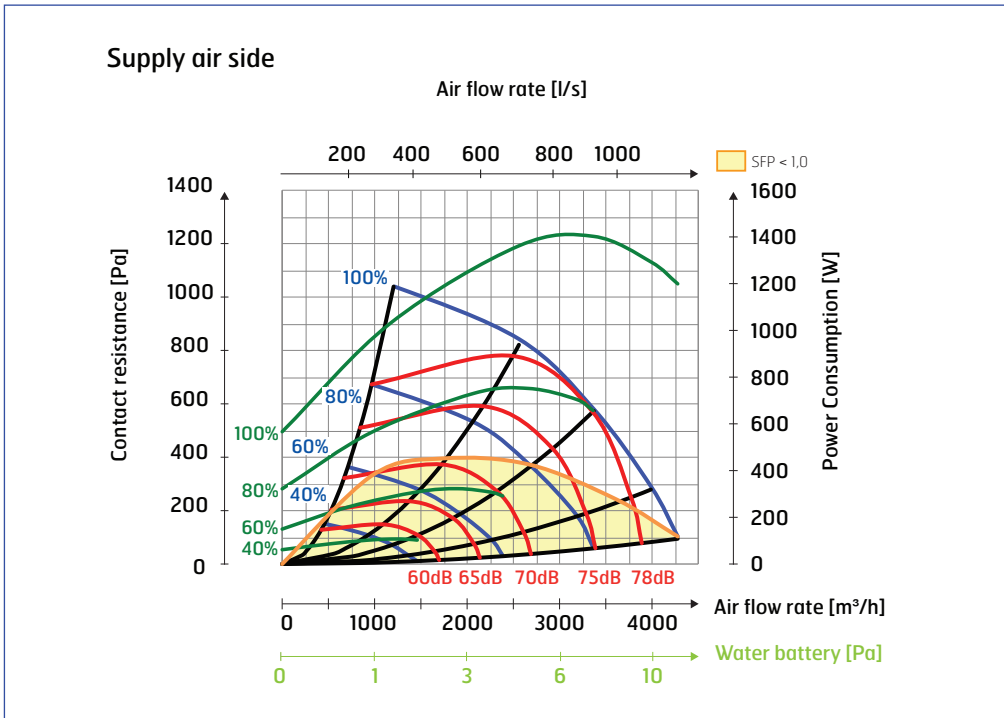
The unit is delivered as a right hand model but can very easily be changed into a left hand model on site. Heater battery (electrical or water) is supplied separately and can easily be fitted/changed at site. This ensures safe, fast delivery and cost savings at possible changes in project or mistakes when ordering.

### **Fast delivery.**

Flexit L32 R is produced against stock and will consequently have a very short delivery time.

### **Energy efficient with low noise level.**

The unit is energy efficient and fulfills demands set in building directive TEK10. In addition the unit has a very low noise level.



Sound data is given at sound power level  $L_wA$  in the capacity diagrams and is corrected with the table below for the various octave bands. Radiated noise produces  $L_w$  in the various octave bands and total  $L_wA$ . Radiated noise is calculated by taking the noise value from the supply air table and deducting the total value from the correction factor table.

Supply air data is measured in accordance with ISO 5136 «In duct method»  
 Radiated noise is measured in accordance with ISO 9614-2  
 Bruel & Kjaer measurement, type 2260.

**Curves in diagram:**

- Blue: Air volume in different capacity setting in %.
- Green: Power consumption in Watt, read the scale to the right.
- Red: Sound - indicate sound level  $L_wA$ .

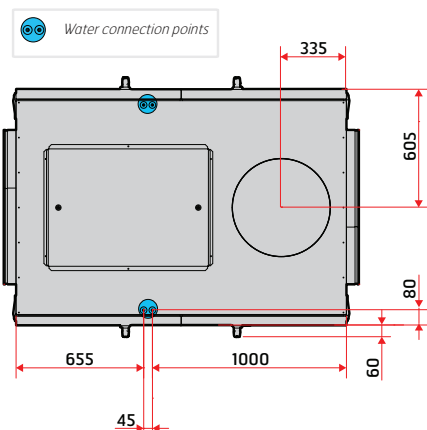
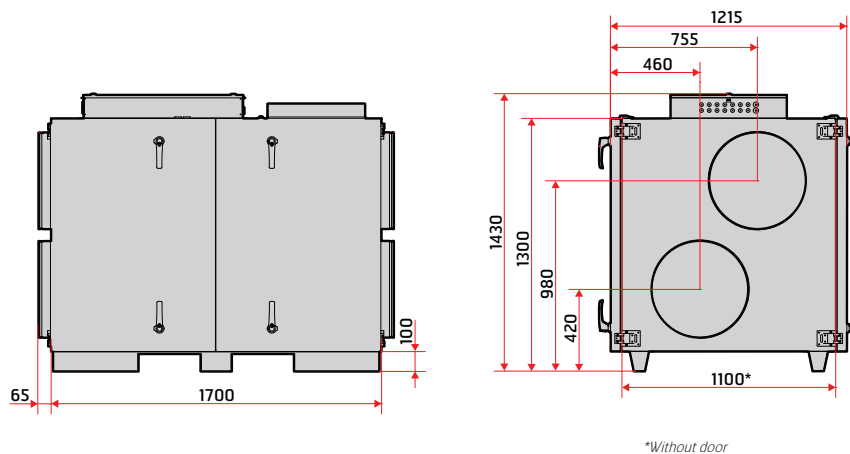
**Correction factor for  $L_w$**

Hz	63	125	250	500	1000	2000	4000	8000	$L_wA$
Supply	7	4	-1	-4	-5	-9	-18	-22	
Extract	12	9	0	-2	-13	-20	-31	-38	
Radiated	-31	-19	-17	-15	-22	-21	-25	-44	-14,3

# L32 R

	Electric battery	Water battery
Rated voltage	400 V	400 V
Fuse size	3 x 32 A	3 x 16 A
Rated current, total	24 A	8 A
Rated power, total	11900 W	2900 W
Rated power, electric battery	9000 W	-
Rated power, fans	2 x 1350 W (230 V)	2 x 1350 W (230 V)
Fan type	B-wheel	B-wheel
Fan motor control	0-10V	0-10V
Max. fan speed	2920 rpm	2920 rpm
Filter type	F7 bag filter	F7 bag filter
Filter dimensions (WxHxD mm)	4x (550x500x400)	4x (550x500x400)
Duct connection	Ø500 mm	Ø500 mm
Height	1430 mm	1430 mm
Width	1830 mm	1830 mm
Depth (without door)	1100 mm	1100 mm
Depth (with handles)	1335 mm	1335 mm

Gross unit weight	Fan	Heat recovery system	Doors	Net inward transport
364 kg	2 x 15 kg	51 kg	4 x 16 kg	219 kg



The dimensions are the same on both end sides.  
The drawing shows a right model  
All dimensions in mm

# L32 R AHU and accessories

15541	Air handling unit L32 R incl. Control panel CS 2000
110630	Filter set F7
112882	Electric battery, complete
113017	Water heating element, complete
14400	Closing air damper on/off Ø500 mm
14440	Closing air damper spring Ø500 mm
56432	Shunt valve, KVS 1,6 2-way proff
56232	Shunt valve, KVS 1,6 3-way proff
57228	Shunt valve, KVS 2,5 3-way proff
56072	Adapter for art.no. 57228
56233	Shunt valve, KVS 4,0 3-way proff
56434	Shunt valve, KVS 4,0 2-way proff
56234	Motor shunt valve
	Combi battery (Ask for calculation)
	Cooling battery (Ask for calculation)



Filter set



Electric battery



Water heating element



Closing air damper



Shunt valve



Motor shunt valve



Combi battery



Cooling battery

## Accessories Control system

112434	Room sensor CS 2000
112435	Modbus, communication module
112436	Web, communication module
112437	LON, communication module
112438	BACnet IP, communication module
112439	Expansion module 14 IO
112440	Energy meter
112441	Timer, mechanical
112442	Timer, electronic
112444	Pressure sensor, 500 Pa
112445	Pressure sensor, 3000 Pa
09364	Press button
09368	Room sensor CC 1040
09369	Outdoor sensor CC 1041
09390	Motion detector SP 450
09358	Motion detector SP 435
09861	Smoke detector SP 445
09359	CO <sub>2</sub> -sensor SP 440



Room sensor CS 2000



Modbus



Web



LON



BACnet IP



Expansion module 14 IO



Energy meter



Timer mechanical



Timer electronic



Pressure sensor



Press button



Room sensor CC 1040



Outdoor sensor CC 1041



Motion detector SP 450



Motion detector SP 435



Smoke detector SP 445



CO<sub>2</sub>-sensor SP 440