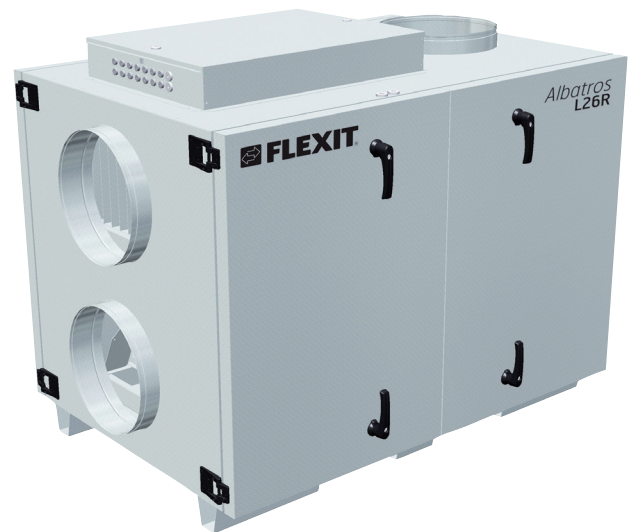


Air handling unit *Albatros* **L26 R**

- Flexibel – impossible to order incorrectly
- Energy efficient
- Low noise level



Full flexibility. Easy adaptation to different applications.

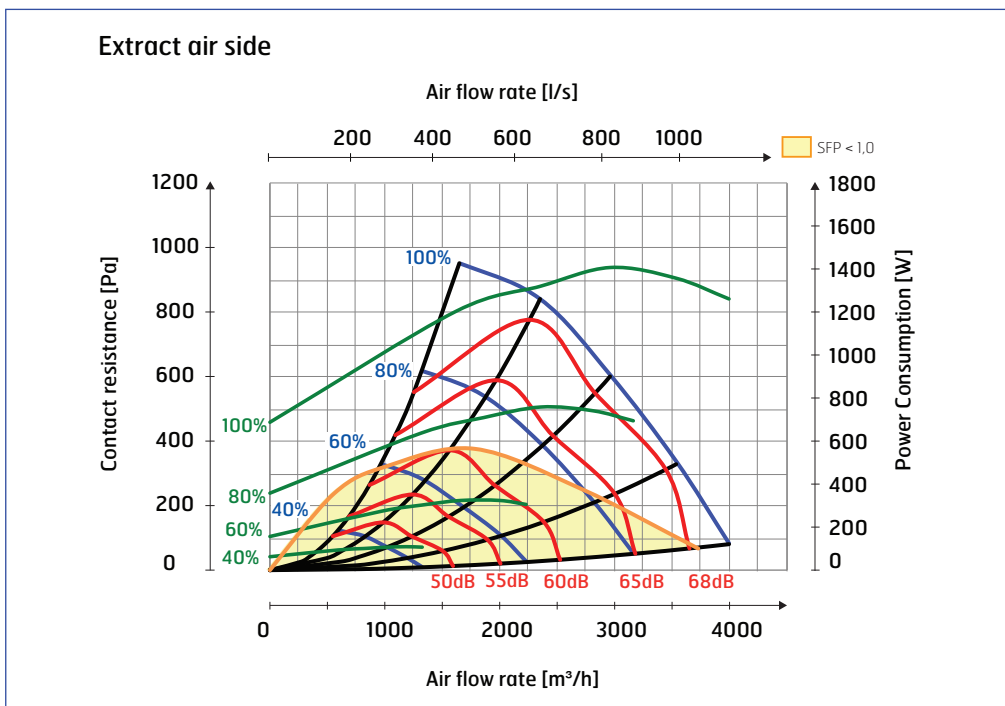
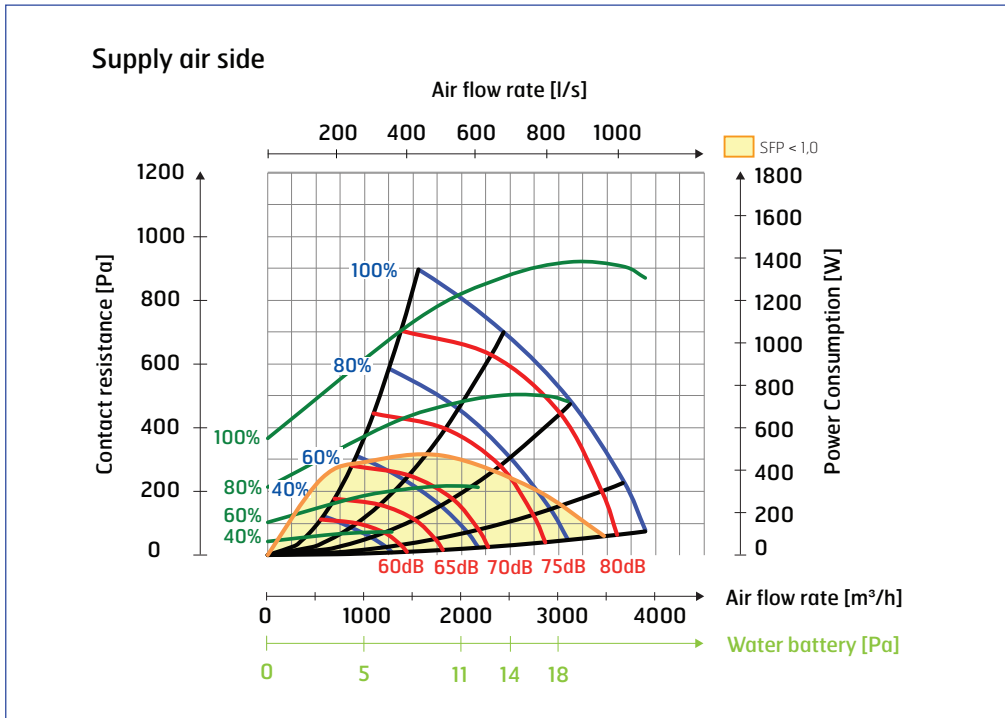
The unit is delivered as a right hand model but can very easily be changed into a left hand model on site. Heater battery (electrical or water) is supplied separately and can easily be fitted/changed at site. This ensures safe, fast delivery and cost savings at possible changes in project or mistakes when ordering.

Fast delivery.

Flexit L26 R is produced against stock and will consequently have a very short delivery time.

Energy efficient with low noise level.

The unit is energy efficient and fulfills demands set in building directive TEK10. In addition the unit has a very low noise level.



Sound data is given at sound power level L_wA in the capacity diagrams and is corrected with the table below for the various octave bands. Radiated noise produces L_w in the various octave bands and total L_wA . Radiated noise is calculated by taking the noise value from the supply air table and deducting the total value from the correction factor table.

Supply air data is measured in accordance with ISO 5136 «In duct method»
 Radiated noise is measured in accordance with ISO 9614-2
 Bruel & Kjaer measurement, type 2260.

Curves in diagram:

- Blue: Air volume in different capacity setting in %.
- Green: Power consumption in Watt, read the scale to the right.
- Red: Sound - indicate sound level L_wA .

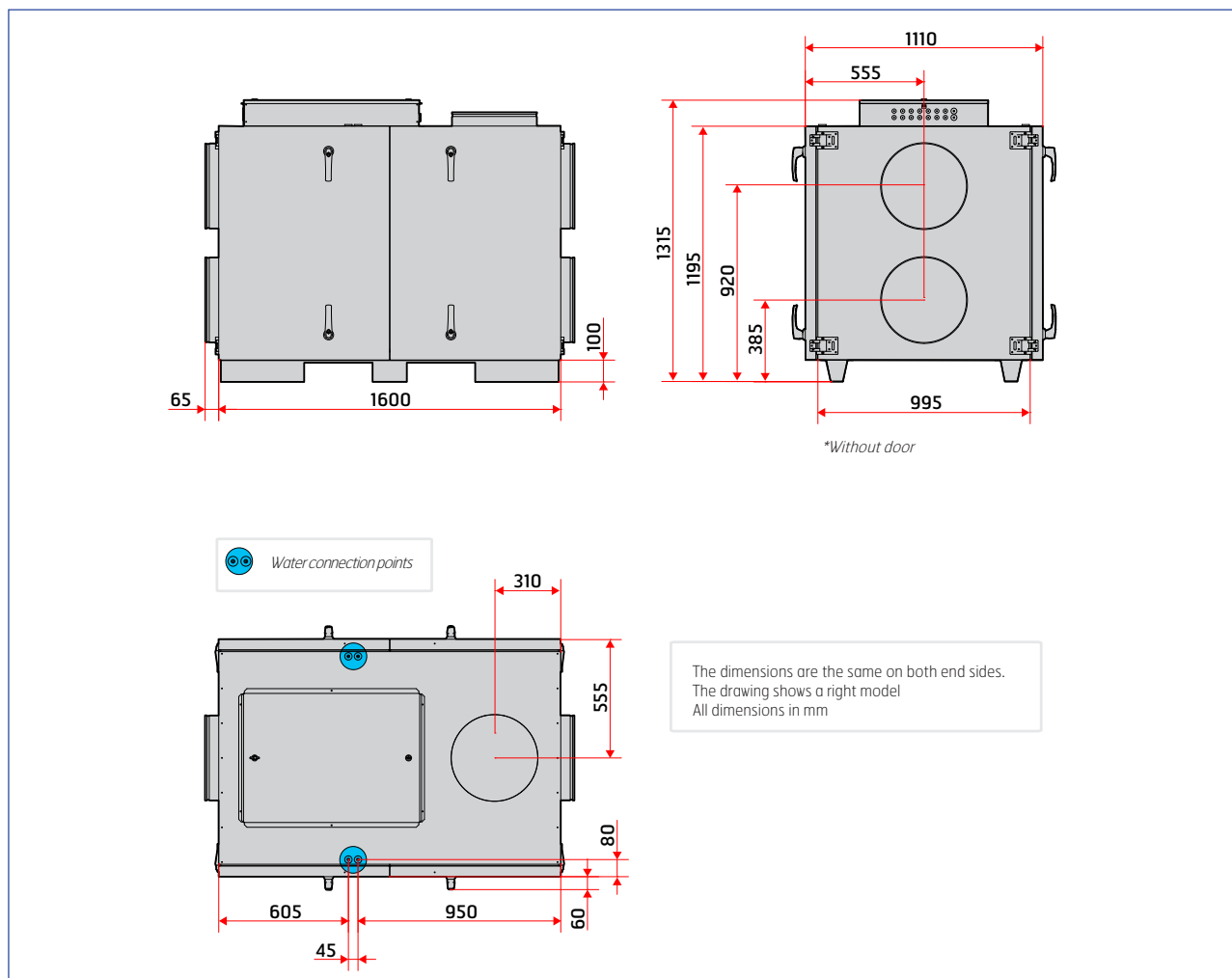
Correction factor for L_w

Hz	63	125	250	500	1000	2000	4000	8000	L_wA
Supply	10	6	1	-5	-5	-9	-16	-20	
Extract	14	8	2	-2	-14	-21	-33	-38	
Radiated	-32	-21	-20	-20	-28	-27	-32	-49	-19,3

L26 R

	Electric battery	Water battery
Rated voltage	400 V	400 V
Fuse size	3 x 25 A	3 x 16 A
Rated current, total	17 A	8 A
Rated power, total	10400 W	2900 W
Rated power, electric battery	7500 W	
Rated power, fans	2 x 1350 W (230 V)	2 x 1350 W (230 V)
Fan type	B-wheel	B-wheel
Fan motor control	0-10V	0-10V
Max. fan speed	2920 rpm	2920 rpm
Filter type	F7 bag filter	F7 bag filter
Filter dimensions (WxHxD)	2x (995x450x350)	2x (995x450x350)
Duct connection	Ø400	Ø400
Height	1315	1315
Width	1730	1730
Depth (without door)	995	995
Depth (with handles)	1230	1230

Gross unit weight	Fan	Heat recovery system	Doors
308,5 kg	2 x 15 kg	61,5 kg	4 x 13,5 kg



L26 R AHU and accessories

15641	Air handling unit L26 R incl. Control panel CS 2000
110628	Filter set F7
113136	Electric battery, complete
113135	Water heating element, complete
14479	Closing air damper on/off Ø400 mm
14480	Closing air damper spring Ø400 mm
56432	Shunt valve, KVS 1,6 2-way proff
56232	Shunt valve, KVS 1,6 3-way proff
57228	Shunt valve, KVS 2,5 3-way proff
56072	Adapter for art.no. 57228
56233	Shunt valve, KVS 4,0 3-way proff
56434	Shunt valve, KVS 4,0 2-way proff
56234	Motor shunt valve
	Combi battery (Ask for calculation)
	Cooling battery (Ask for calculation)



Filter set



Water heating element



Shunt valve



Combi battery



Electric battery



Closing air damper



Motor shunt valve



Cooling battery

Accessories Control system

112434	Room sensor CS 2000
112435	Modbus, communication module
112436	Web, communication module
112437	LON, communication module
112438	BACnet IP, communication module
112439	Expansion module 14 IO
112440	Energy meter
112441	Timer, mechanical
112442	Timer, electronic
112444	Pressure sensor, 500 Pa
112445	Pressure sensor, 3000 Pa
09364	Press button
09368	Room sensor CC 1040
09369	Outdoor sensor CC 1041
09390	Motion detector SP 450
09358	Motion detector SP 435
09861	Smoke detector SP 445
09359	CO ₂ -sensor SP 440



Room sensor CS 2000



LON



Energy meter



Pressure sensor



Outdoor sensor CC 1041



Smoke detector SP 445



Modbus



BACnet IP



Timer mechanical



Press button



Motion detector SP 450



CO₂-sensor SP 440



Web



Expansion module 14 IO



Timer electronic



Room sensor CC 1040



Motion detector SP 435

Flexit AS

+47 69 81 00 00

www.flexit.com